

Please read this information first

Read entire instruction sheet before beginning assembly and installation.

Check parts on parts listing before beginning assembly.

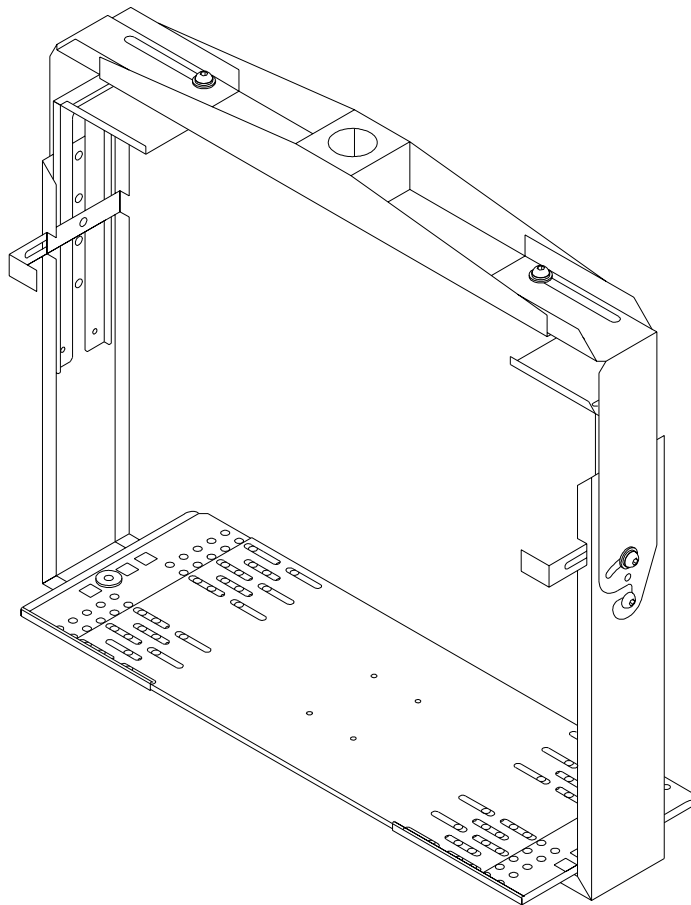
Many accessories are available for this product. Please contact customer service or visit website for more information.

The retainer bar (D) in step 6 must be placed with extruded side towards the anti rollout hook (C).

Pay close attention to the assembly of the threaded flush mount tube (N) in step 8. The retaining collar (K) threads up into the horizontal support (G). The set screw (W) is then installed from the inside of that collar into the notch in the tube. Refer to drawings for correct placement.

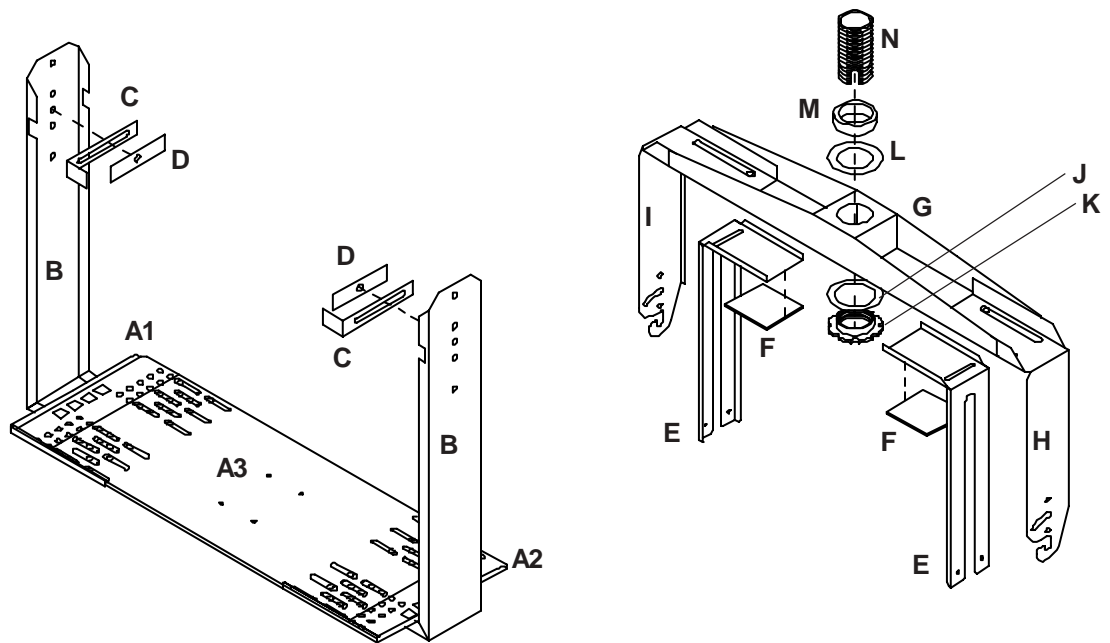
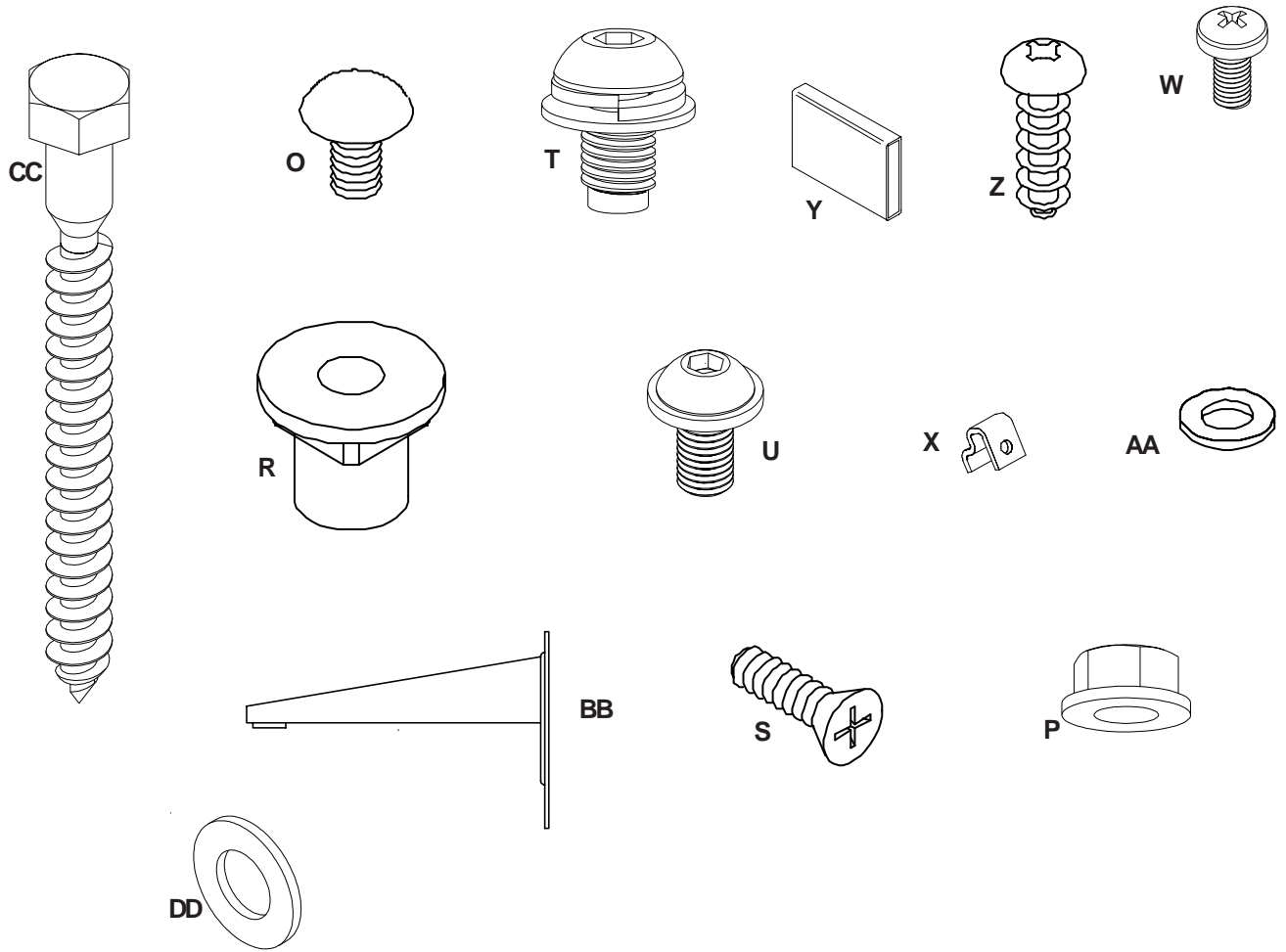
The placement of set screw (W) in detail 3 of step 8 is essential to the safety of the installation.

**MAXIMUM OSHPD LOAD
CAPACITY: 96 lb (43.5 kg)**



MODEL NUMBER

DESCRIPTION	QTY.	OP-JMW 2630	OP-JMW 2640	OP-JMW 2640D	OP-JMW 2650	OP-JMW 2650D	OP-JMW 2655
A1 support tray left	1	128-1023	128-1023	128-1026	128-1023	128-1026	128-1026
A2 support tray right	1	128-1024	128-1024	128-1027	128-1024	128-1027	128-1027
A3 support tray center	1	128-1128	128-1129	128-1134	128-1130	128-1135	128-1135
B vertical support arm	2	128-1107	128-1109	128-1109	128-1111	128-1111	128-1109
C anti-rollout hook	2	128-1116	128-1116	128-1116	128-1116	128-1116	128-1116
D retainer bar	2	128-1117	128-1117	128-1117	128-1117	128-1117	128-1117
E top clamp	2	128-1105	128-1105	128-1105	128-1105	128-1105	128-1105
F adhesive pad	2	570-0024	570-0024	570-0024	570-0024	570-0024	570-0024
G horizontal support	1	128-1016	128-1017	128-1017	128-1018	128-1018	128-1018
H tilt bracket right	1	128-1340	128-1335	128-1335	128-1335	128-1335	128-1335
I tilt bracket left	1	128-1339	128-1334	128-1334	128-1334	128-1334	128-1334
J fiber washer - large inside dia.	1	540-9432	540-9432	540-9432	540-9432	540-9432	540-9432
K retaining collar	1	1800-375	1800-375	1800-375	1800-375	1800-375	1800-375
L fiber washer - small inside dia.	1	540-9431	540-9431	540-9431	540-9431	540-9431	540-9431
M spacer (only 2630-2640D models)	1	128-0067	128-0067	128-0067	-	-	-
N flush mount tube	1	1446-014	1446-014	1446-014	1446-014	1446-014	1446-014
O 5/16 - 18 x 1/2" carriage bolt	4	520-9207	520-9207	520-9207	520-9207	520-9207	520-9207
P 5/16 washer/nut combo	4	530-1016	530-1016	530-1016	530-1016	530-1016	530-1016
R M10-1.5 x .7 flange nut	2	520-9261	520-9261	520-9261	520-9261	520-9261	520-9261
S M6 x 18 mm flat phillips screw	2	520-1166	520-1166	520-1166	520-1166	520-1166	520-1166
T M10 x 16 mm socket screw/washer combo	8	520-1041	520-1041	520-1041	520-1041	520-1041	520-1041
U M10 serrated flange head screw	2	520-1105	520-1105	520-1105	520-1105	520-1105	520-1105
W M5 x .8 x 10 mm screw	6	520-9250	520-9250	520-9250	520-9250	520-9250	520-9250
X uni-clip	4	2245-081	2245-081	2245-081	2245-081	2245-081	2245-081
Y plastic cover for anti-rollout hook	2	590-1055	590-1055	590-1055	590-1055	590-1055	590-1055
Z #10 x 3/4 particle board screw	4	500-9006	500-9006	500-9006	500-9006	500-9006	500-9006
AA #10 flat washer	4	540-9400	540-9400	540-9400	540-9400	540-9400	540-9400
BB wall arm	1	128-1429	128-1429	128-1429	128-1427	128-1427	128-1427
CC 3/8" x 4" lag bolt	10	520-1235	520-1235	520-1235	520-1235	520-1235	520-1235
DD .406 x .75 x .06 washer	10	540-1055	540-1055	540-1055	540-1055	540-1055	540-1055



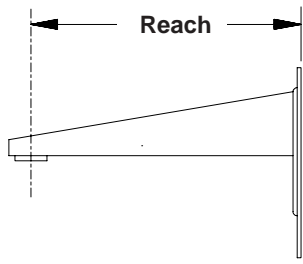
Note: Read entire instruction sheet before you start installation and assembly.

For use only to support Jumbo Mount TV Brackets or other products as specified by Peerless. Combine only as specified (see specifications below).

⚠ WARNING

- Installer must verify that the wall will safely support four times the combined weight of all attached equipment and hardware.
- Do not attach directly to a metal stud wall. Use of a WSP wall plate is required for attachment to metal studs (contact customer service).
- Weight of TV or screen shall not exceed maximum load capacity.

WALL ARM FOR JUMBO MOUNTS - SPECIFICATIONS

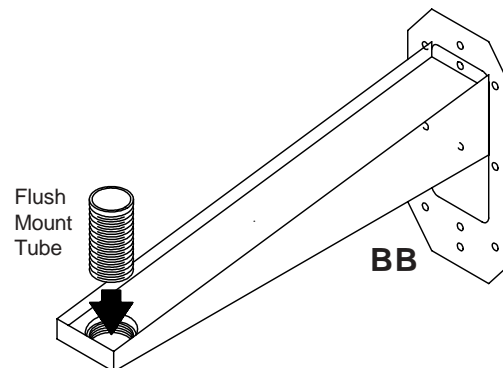
Reach	Compatible Jumbo Mount Models	
18" (457 mm)	OP-JM2630, OP-JM2640, OP-JM2640D	
22.5" (572 mm)	OP-JM2650, OP-JM2650D, OP-JM2655	

⚠ WARNING

- Weight of TV or monitor not to exceed OSHPD maximum load capacity!

1 From the top thread the Flush Mount Tube (included with your Jumbo Mount Bracket) through threaded fitting in wall arm (**BB**).

Note: If you are installing to a metal stud wall, please refer to the accompanying metal stud instruction sheet.

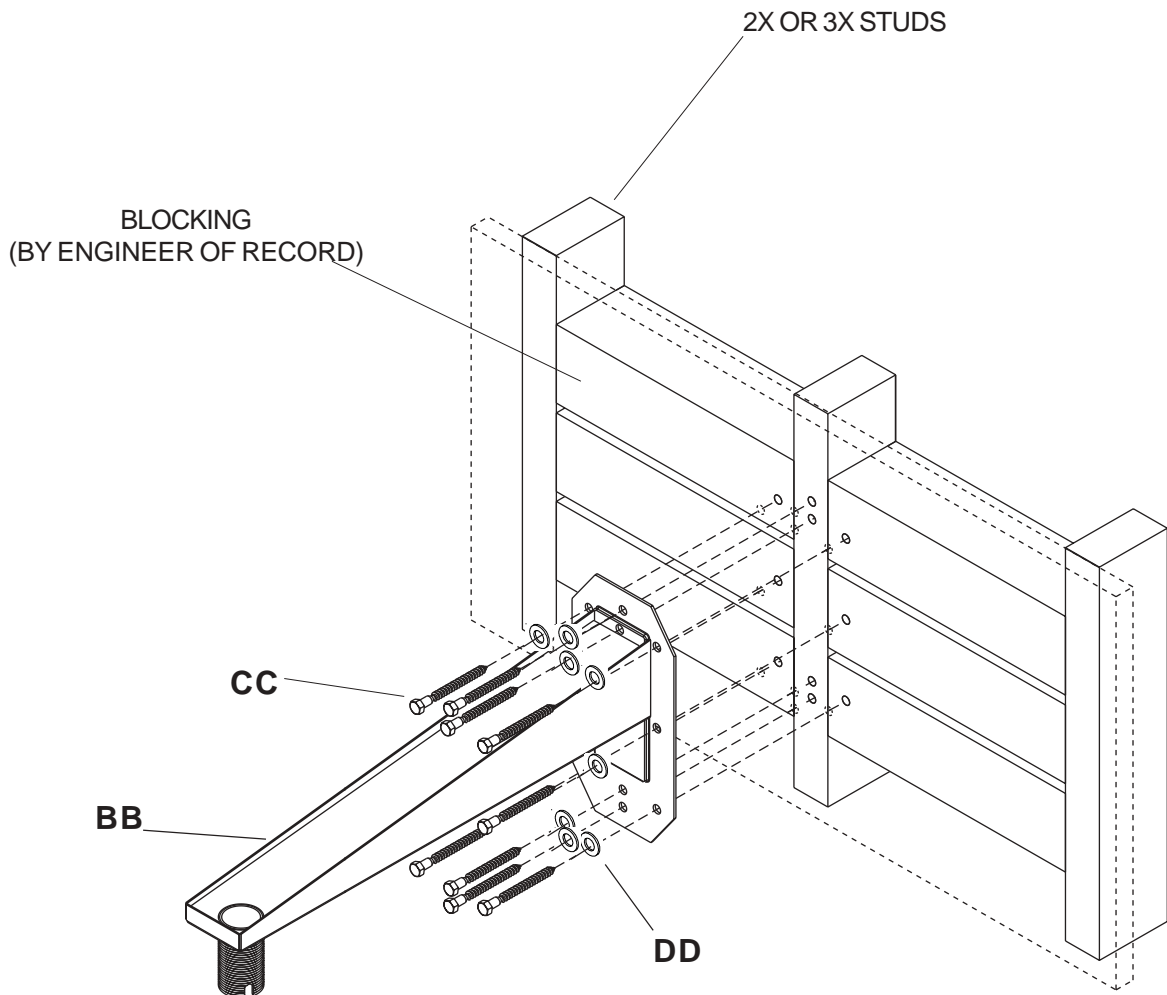


2

For Wood Stud Walls add blocking as required to accommodate wall arm hole pattern. Use wall arm (**BB**) as a template to drill ten .281" (7 mm) dia. holes to a minimum depth of 4" (102 mm) into **stud center and blocking**. Attach wall arm using ten 3/8" x 4" lag bolts (**CC**) and 10 washers (**DD**).

⚠ WARNING

- Tighten wood screws so that wall plate is firmly attached, but do not overtighten. Overtightening can damage the screws, greatly reducing their holding power.
- Never tighten in excess of 80 in. • lb (9 N.M.).
- Make sure that mounting screws are anchored into the center of the studs and wood blocking. The use of an "edge to edge" stud finder is highly recommended.



⚠ WARNING

- Concrete must be 3000 psi density minimum. Lighter density concrete may not hold concrete anchor.
- Make sure that the wall will safely support the combined load of the equipment and all attached hardware and components. Direct pull test to 800 lbs. or torque to 10 ft-lbs to test strength of concrete.

2

For Concrete Walls Order OP-ACC 204.

Making sure that it is level, use wall arm (BB) as a template to mark holes. Use an ANSI drill bit size between 0.255" - 0.259" to drill eight holes to a minimum depth of 3.25" (83 mm) as shown in **figure 2.1.1**. Blow the hole clean of dust and other material.

Attach using washers and bolts as shown in **figure 2.1.2**

⚠ WARNING

- Tighten screws firmly, but do not overtighten. Overtightening can damage the bolts, greatly reducing their holding power.
- Never tighten in excess of 80 in. • lb (9 N.M.).

⚠ WARNING

- Concrete anchors are **not** intended for attachment to concrete wall covered with a layer of plaster, drywall, or other finishing material.

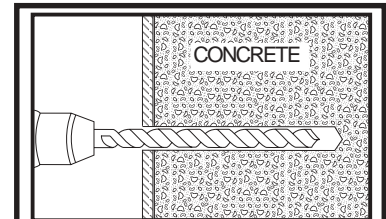


Fig. 2.1.1

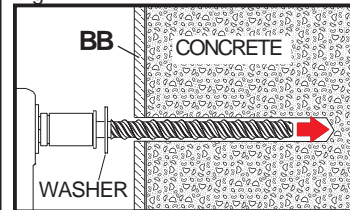


Fig. 2.1.2

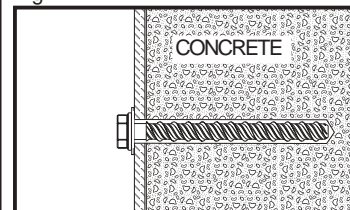
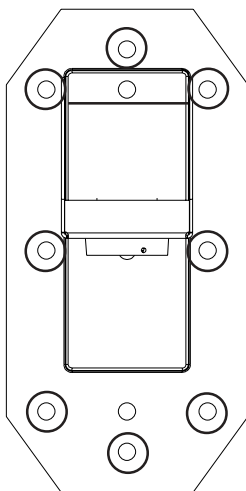
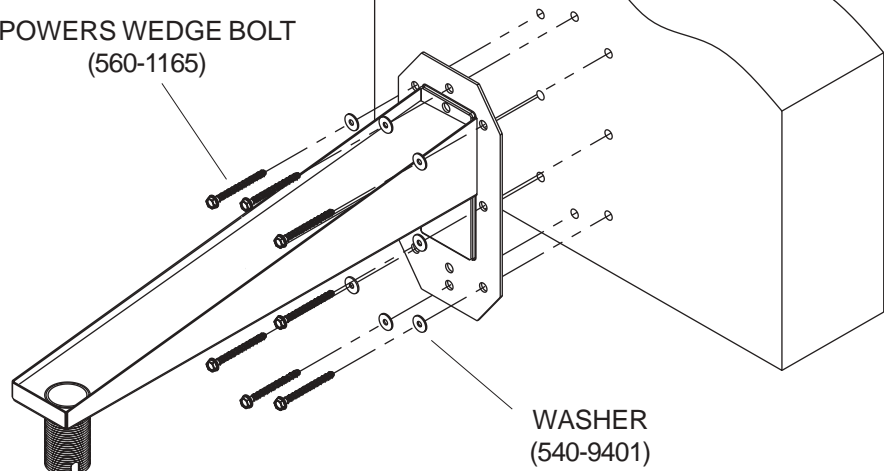


Fig. 2.1.3

Use holes shown below



POWERS WEDGE BOLT
(560-1165)



WASHER
(540-9401)

⚠ WARNING

- When installing Peerless wall mounts on cinder block, verify that you have a minimum of 1-3/8" of actual concrete surface in the hole to be used for the concrete anchors. Do not drill into mortar joints! Be sure to mount in a solid part of the block, generally 1" minimum from the side of the block. Cinder block must meet ASTM C-90 specifications. It is suggested that a standard electric drill on slow setting is used to drill the hole instead of a hammer drill to avoid breaking out the back of the hole when entering a void or cavity.
- Make sure that the wall will safely support the combined load of the equipment and all attached hardware and components.

2

For Concrete Block Walls Order OP-ACC 307.

Making sure that it is level, use wall arm (BB) as a template to mark holes. Drill eight .281" holes through block as shown in **figure 2.2.1**. Blow the hole clean of dust and other material.

Attach using fasteners as shown in **figure 2.2.2**.

⚠ WARNING

- Tighten screws firmly, but do not overtighten. Overtightening can damage the bolts, greatly reducing their holding power.
- Never tighten in excess of 80 in. • lb (9 N.M.).
- Distance between ends of threaded rod and lock nuts after tightening must be 1/8" minimum.

Fig. 2.2.1

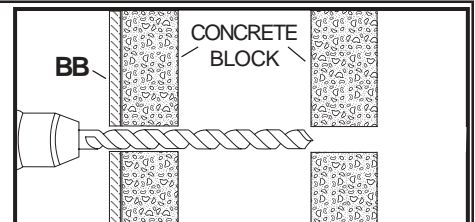


Fig. 2.2.2

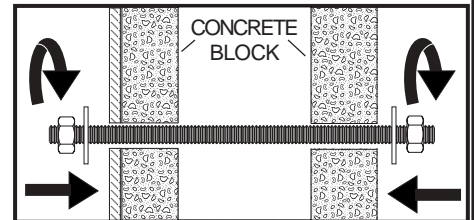
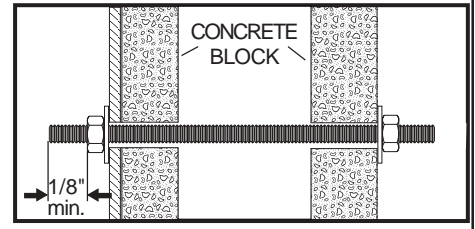
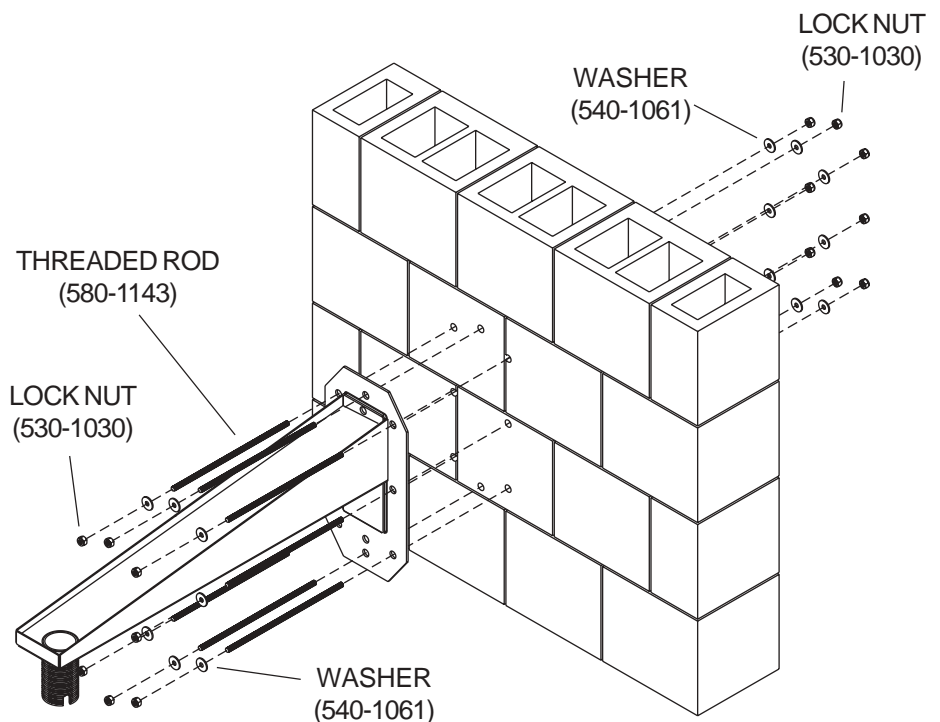
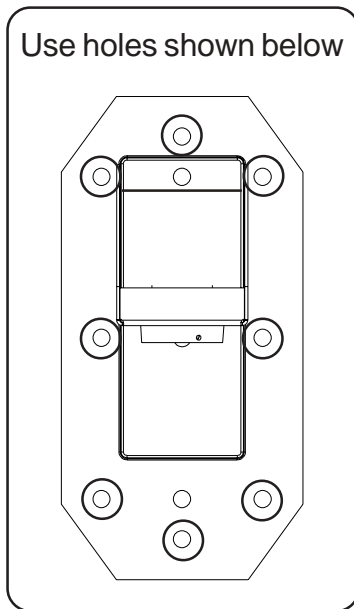


Fig. 2.2.3

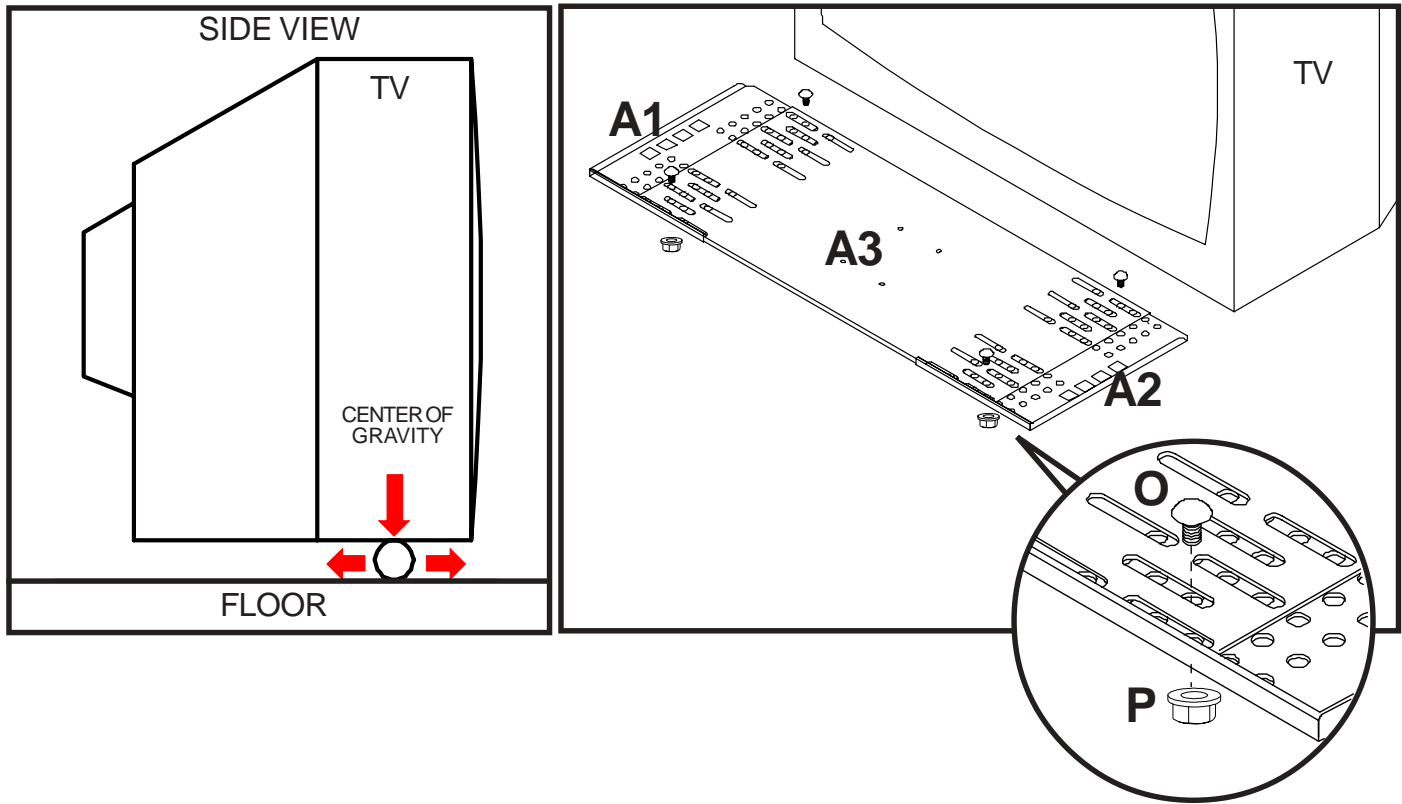


Use holes shown below

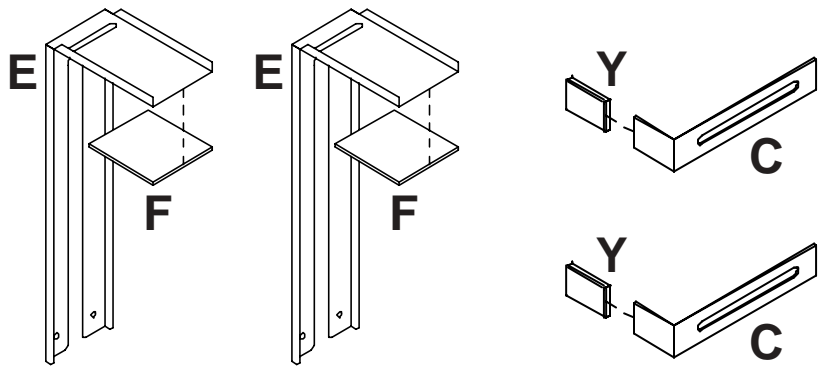


3 Place TV onto a piece of pipe as shown. (Pipe should be a few inches wider than the TV.) Roll TV back and forth to find the balance point. This is the **center of gravity**. Mark the center of gravity on the side of the TV.

4 Adjust support tray (**A1, A2, & A3**, three pieces) to match width of TV.
Lock support tray using four carriage bolts (**O**), and washer/nut combos (**P**). Tighten securely.



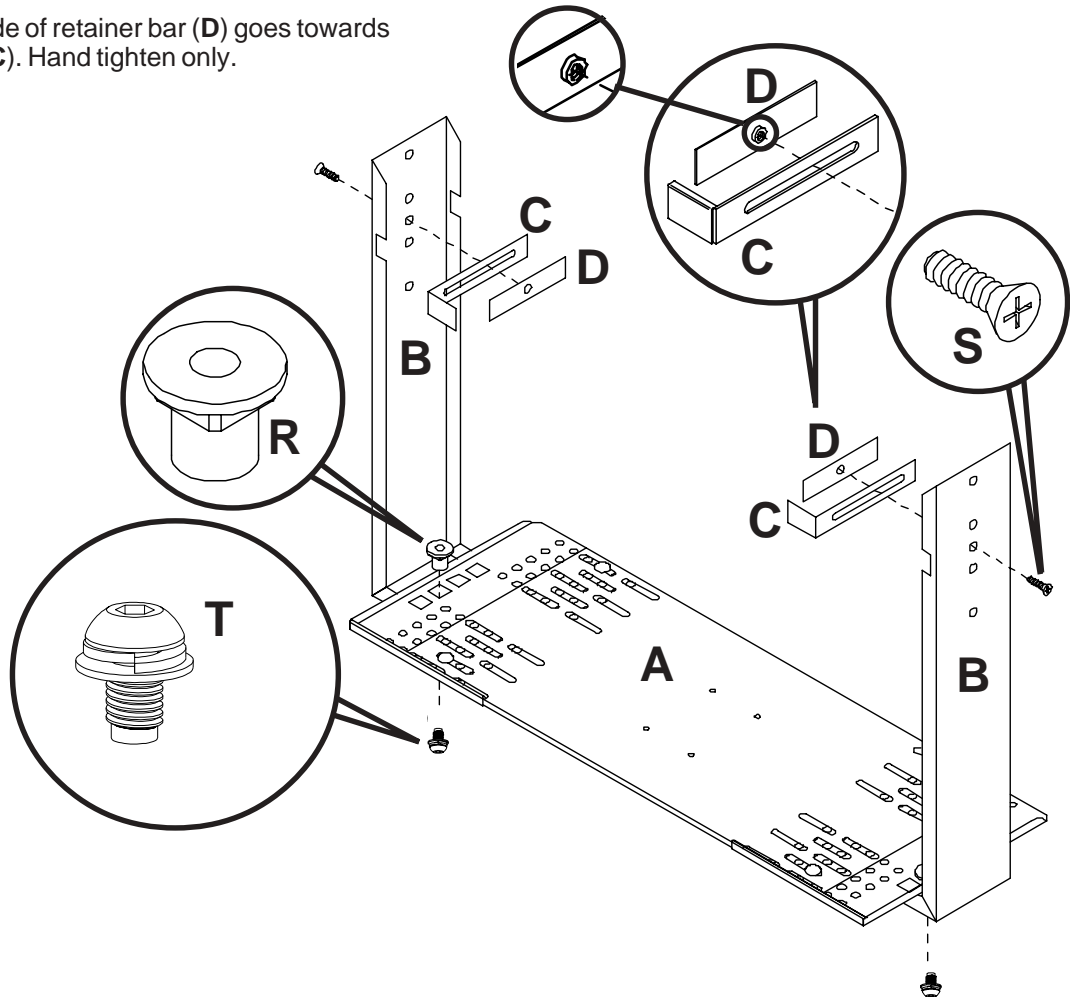
5 Attach adhesive pads (**F**) to top clamps (**E**).
Insert plastic covers (**Y**) onto ends of anti-rollout hooks (**C**).



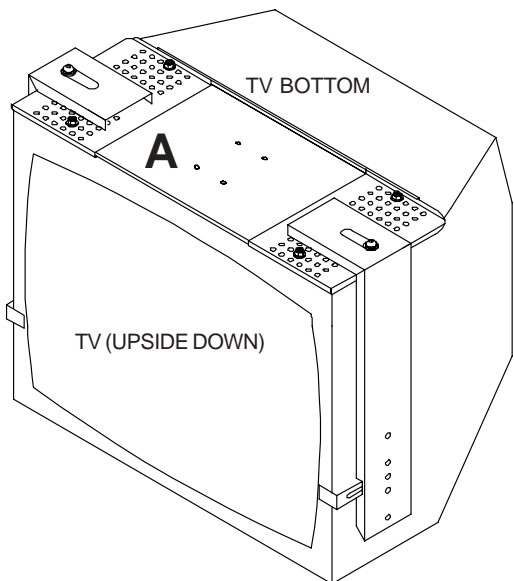
6

Attach support tray (A) to vertical support arms (B) as shown. Choose the square hole which aligns closest with the center of gravity mark on the TV (as determined in step 3). Attach anti-rollout hooks (C) as shown using M6 screws (S) and retainer bars (D).

Note: Extruded side of retainer bar (D) goes towards anti-rollout hook (C). Hand tighten only.

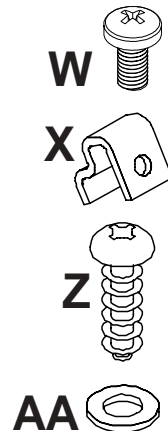


Required for OSHPD approved installation - optional otherwise

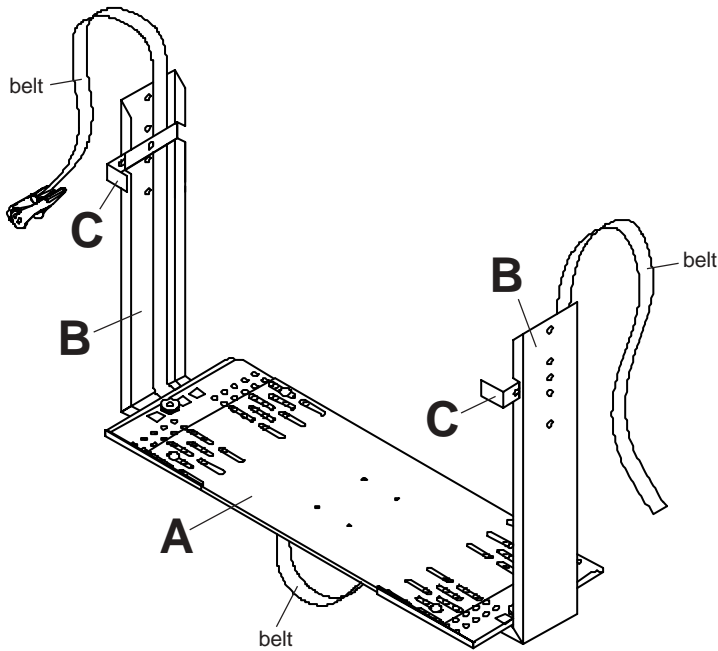


Although top clamps (E) and anti-rollout hooks (C) [see step 7] will provide more than adequate support for the TV, some installers may wish to also attach the support tray to the TV bottom.

Using uni-clips (X) and M5 screws (W) (see instruction card in fastener pack), or #10 x 3/4" particle board screws (Z) and washers (AA) (for attachment to mounting bosses if present), or a combination of both, attach support tray (A) to TV bottom. [To do this place TV upside down on a flat stable surface and position support tray upside down on TV bottom.] Attach at four places as close to the four corners of the TV bottom as possible.

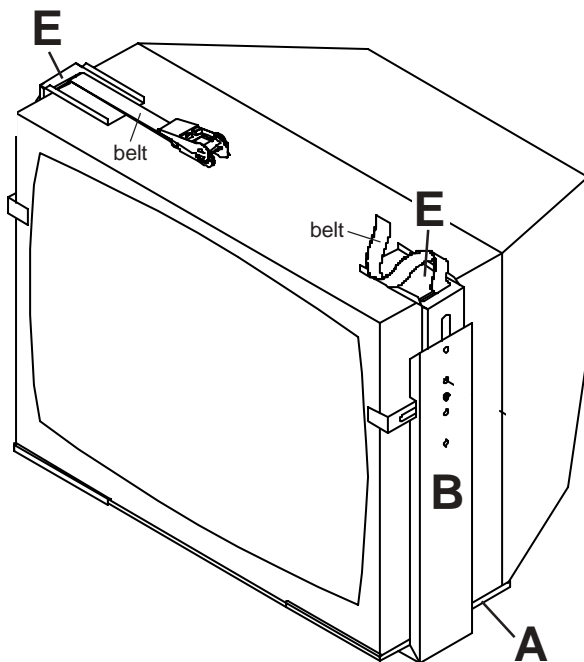


**Safety belt, ACC 666 (Sold Separately), required for OSHPD approved installation.
Use of this belt is optional for all other installations.**

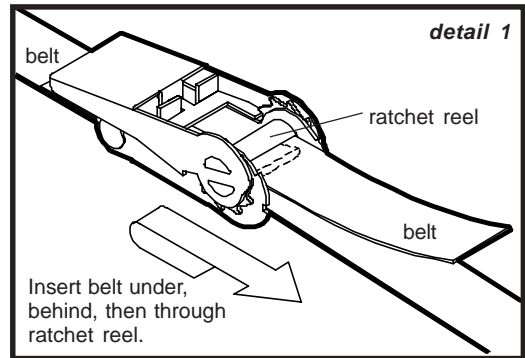


Optional safety belt ACC 666 (required for OSHPD approved installation) sold separately.

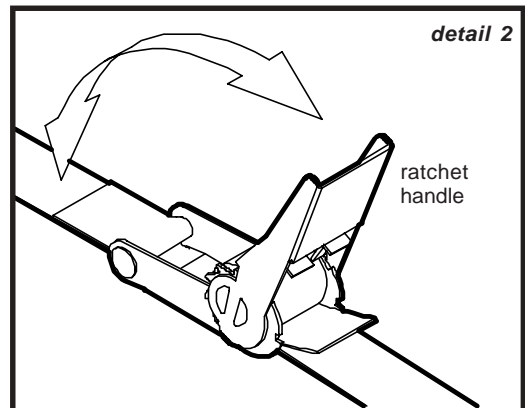
Thread belt between support arms (B) and anti-rollout hooks (C), and between support arms (B) and support tray (A).



Position TV on support tray (A), thread belt through slots in top clamps (E). Secure TV with belt as directed in **detail 1, 2 & 3**.



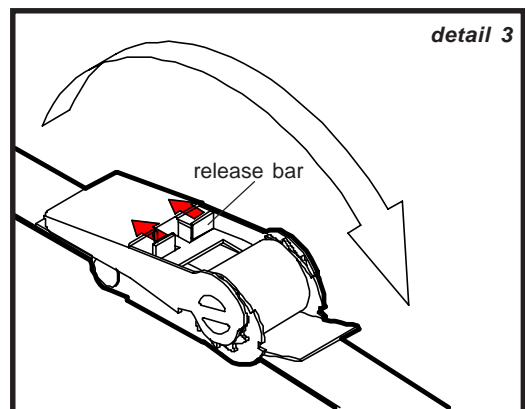
Wrap belt around TV or monitor and mounting surface. Insert end of belt through ratchet reel and pull until ALL slack is out of belt.



Pump ratchet handle to tighten belt. For secure hold, ratchet reel must have at least two layers of belt around it.

Note: Too many layers of belt around ratchet reel will cause it to jam. To avoid this problem be sure to remove ALL slack from belt before pumping ratchet handle.

After belt is tight, close ratchet handle.



To release, compress release bar and open ratchet handle 180°.

7

Note: Slots in corners of top clamps (E) and corners of vertical support arms (B) allow for the installation of safety belt (model ACC 666, sold separately). If using this belt, install it now as shown on page ten.

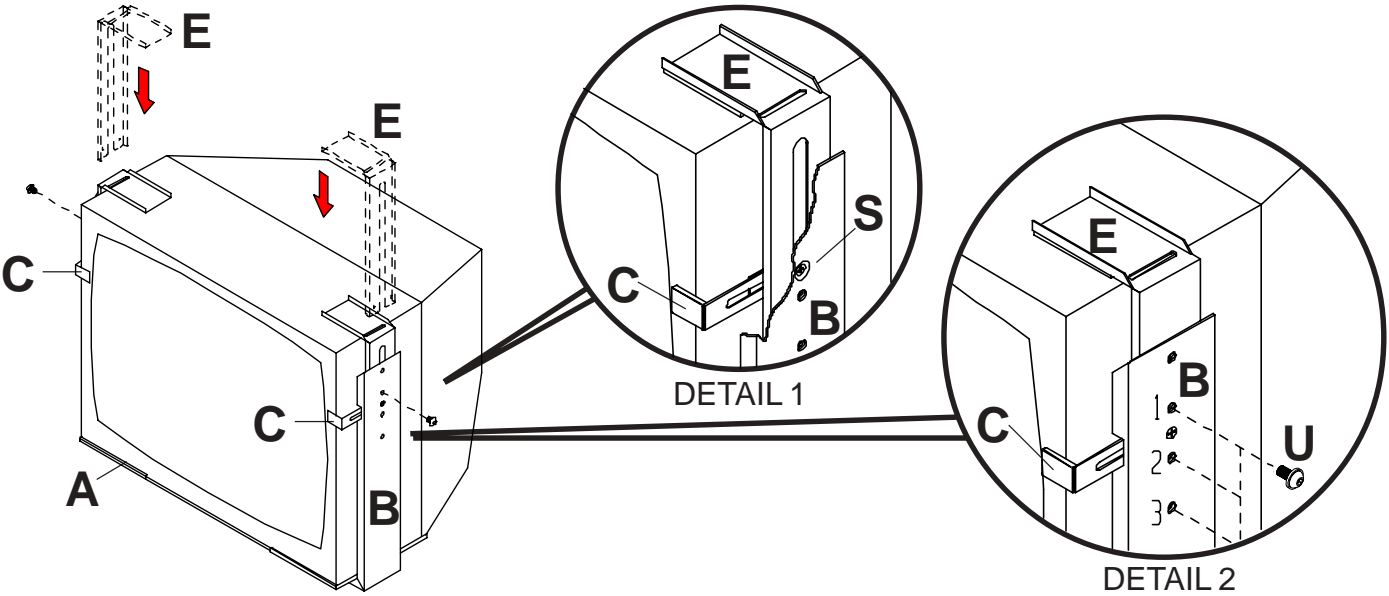
Position TV onto support tray (A). Position anti-rollout hooks (C) against front edge of TV.

⚠ WARNING

- Each anti-rollout hook (C) should have at least 1/4" of surface contact and fit snugly against the front edge of the TV cabinet. If this is not the case, the support tray (A) must be adjusted smaller [see step 4], or the vertical support arms (B) adjusted inward [see step 6].

Insert and press down on top clamps (E) with sufficient force to assure that the top clamps are fitted snugly to the TV cabinet. **Note:** Top clamps (E) fit between rollout protectors (C) and vertical support arms (B) [DETAIL 1]. Press down on each top clamp (E) while securely tightening each M6 screw (S).

Press inwards on the left and right vertical support arms (B) with sufficient force to assure that the arms are fitted snugly to the TV cabinet. By hand, thread one M10 serrated flange head screw (U) into each vertical support arm (B) through one of three threaded holes [1, 2, or 3; DETAIL 2]. Choose the threaded holes that will allow just enough clearance (approximately 1 1/2") between the horizontal support arm and top clamps [see step 9]. Leave about 1/4" of exposed thread.



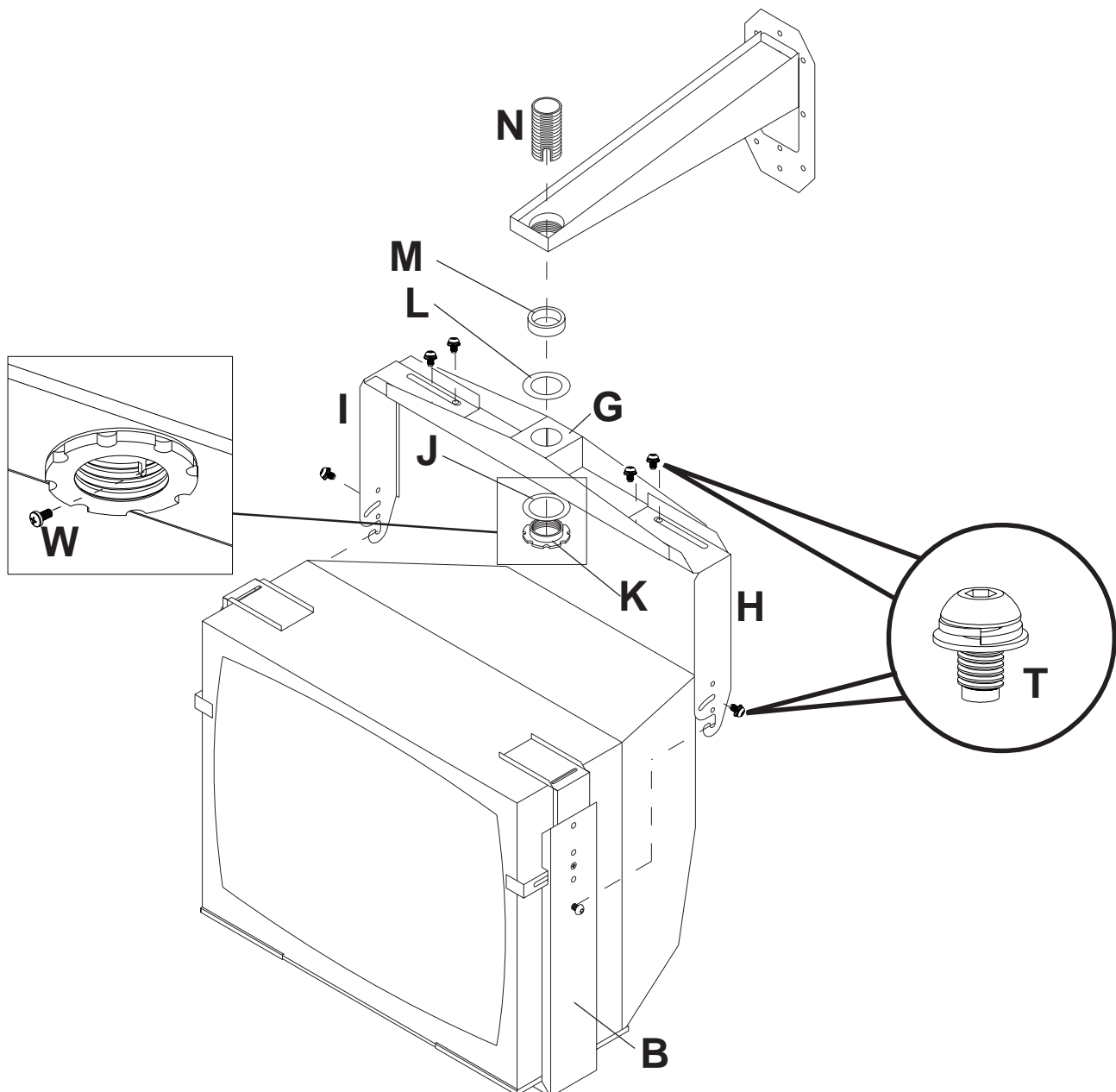
Jumbo mount shown with optional wall arm accessories.

FIRST: From the top fully thread flush mount tube (N) into threaded fitting in wall arm.

NEXT: Attach right and left tilt brackets (H & I) to horizontal support (G) using four screw/washer combos (T). Before tightening screws make sure tilt brackets are adjusted horizontally to align precisely with screws in the side of vertical support arms (B). Attach horizontal support (G) to wall arm using fiber washers (J & L), spacer (M, only included with smaller models) and retaining collar (K). **IMPORTANT:** Retaining collar (K) requires a safety screw (W) [refer to DETAIL 3, page 13].

FINALLY: Be sure that hooks in right and left tilt brackets (H & I) are open end forward. Hang the TV / bracket assembly.

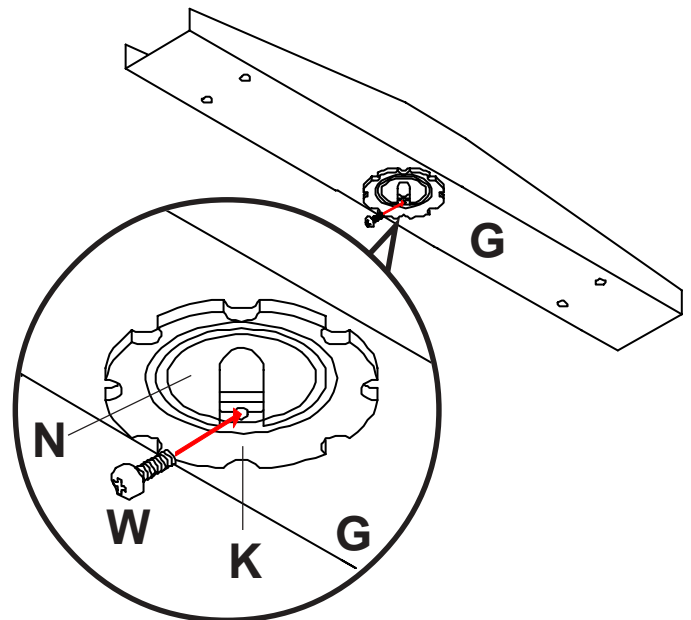
Insert one screw/washer combo (T) through slot in each tilt bracket (H & I). Hand tighten.



When attaching the horizontal support (G) to wall arm carefully thread retaining collar (K) onto end of flush mount (N) tube (or extension column). Tighten at least four complete turns ending with one of the small threaded holes aligned with slot in the end of flush mount tube (N) (or extension column). Insert and tighten one M5 screw (W).

⚠ WARNING

- Screw (W) is self tapping and may be hard to get started but is essential to this installation. Failure to install this screw can cause the mount to fall.



DETAIL 3
(BOTTOM VIEW)

- 9 Adjust TV to desired tilt, then **TIGHTEN ALL SCREWS SECURELY**. Maximum tilt is 30°. If tilt clearance is a problem revisit step 7, DETAIL 2.

