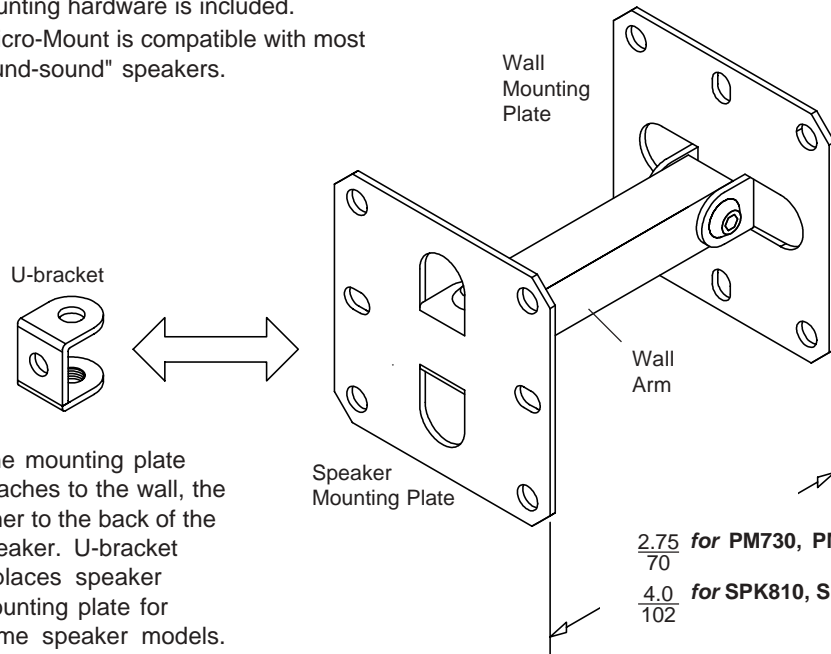


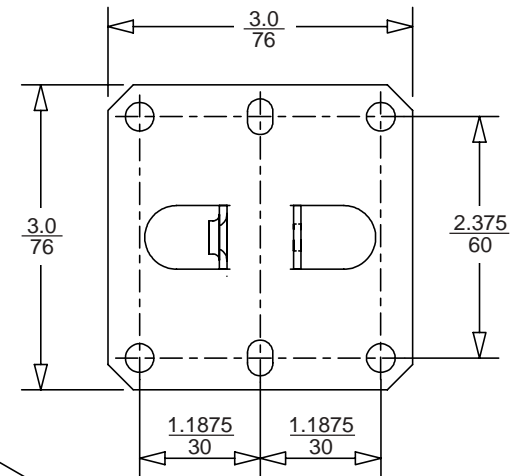
**Micro-Mounts** are sold in pairs.  
 All Mounting hardware is included.  
 The Micro-Mount is compatible with most "surround-sound" speakers.



**WALL AND SPEAKER MOUNTING PLATE DIMENSIONS**

four mounting holes  $\frac{.281}{7.1}$  dia.  
 two mounting slots  $\frac{.25}{6.4} \times \frac{.35}{8.9}$

**ALL DIMENSIONS:**  
 $\frac{\text{inch}}{\text{mm}}$

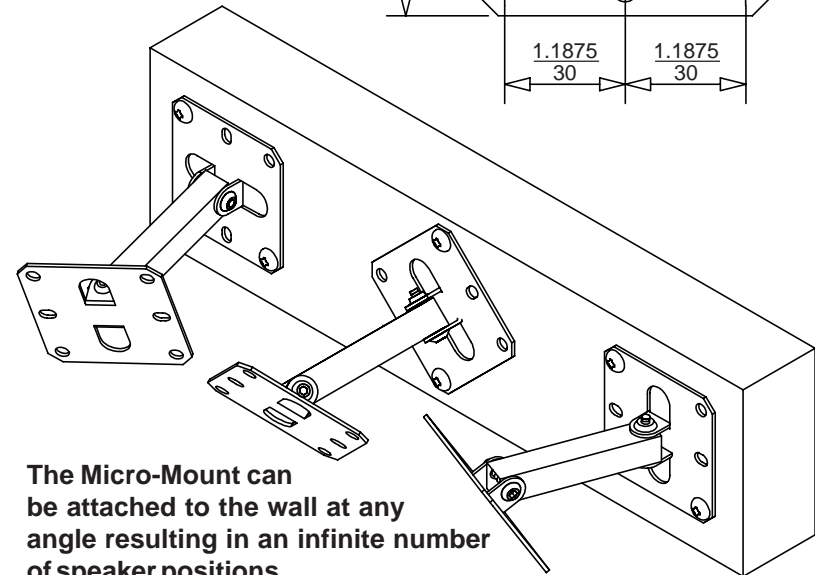


One mounting plate attaches to the wall, the other to the back of the speaker. U-bracket replaces speaker mounting plate for some speaker models.

WEIGHT (EA.)	SHIPPING WEIGHT (PR.)
.5 LB (.23 KG)	1.4 LB (.6 KG)

Shipping weight based on shipment of one pair. Per pair shipping weight may be less for bulk orders.

**LOAD CAPACITY:**  
 10 LB EA.  
 (4.5 KG)



The Micro-Mount can be attached to the wall at any angle resulting in an infinite number of speaker positions.

**Architects Specifications:**

The speaker mount shall be a Peerless Micro-Mount™ model \_\_\_\_\_ and shall be located where indicated on the plans. The finish shall be scratch resistant Black (or White) Fused Epoxy. The speaker mount shall be constructed of heavy gauge cold rolled steel. It shall feature adjustable tilt and swivel. Assembly and installation shall be done according to instructions provided by the manufacturer.

**TECHNICAL DATA SHEET**  
**Micro-Mount™ WALL MOUNT SPEAKER BRACKETS**

**Peerless Industries, Inc.**  
 3215 W. North Ave.  
 Melrose Park, IL 60160

phone: (708)865-8870  
 fax: (708)865-2941

SHEET NO: 087-9505-2 ISSUED: 5-3-95

REVISION: 8-18-03

page 1 of 1