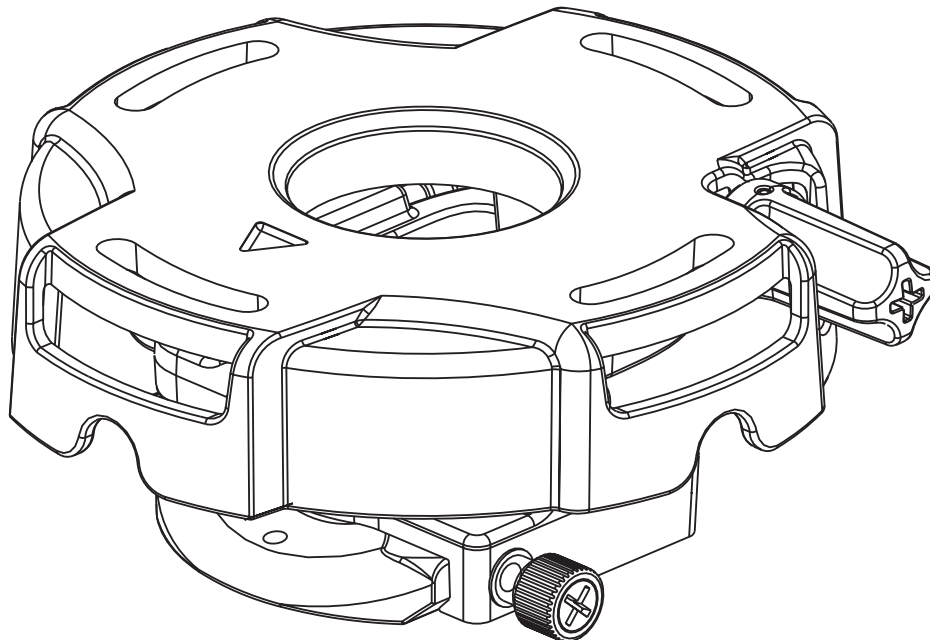




Installation and Assembly Manual: PRG Precision Gear Projector Mount

Models: PRG-1, PRG-1S, PRG-1W



Features:

- ImageLock™ alignment prevents picture sag or drift
- Wrench access slot for easier flush mount installations
- Exclusive aluminum track quick release



This product is intended for use with UL Listed products and must be installed by a qualified professional installer.

Maximum UL Load Capacity:
50 lb (22.7 kg)

Note: Read entire instruction sheet before you start installation and assembly.

⚠ WARNING

- Do not begin to install your Peerless product until you have read and understood the instructions and warnings contained in this Installation Sheet. If you have any questions regarding any of the instructions or warnings, call Peerless customer care at 1-800-729-0307.
- This product should only be installed by someone of good mechanical aptitude, has experience with basic building construction, and fully understands these instructions.
- Make sure that the supporting surface will safely support the combined load of the equipment and all attached hardware and components.
- Never exceed the Maximum UL Load Capacity.
- Always use an assistant or mechanical lifting equipment to safely lift and position equipment.
- Tighten screws firmly, but do not overtighten. Overtightening can damage the items, greatly reducing their holding power. See suggested torque values where applicable within these instructions.

CAUTION

- It is the responsibility of the installer to ensure that the projector is properly ventilated.

Tools Needed for Assembly

- stud finder ("edge to edge" stud finder is recommended)
- phillips screwdriver
- drill
- 1/4" bit for concrete surface
- 5/32" bit for wood studs
- open end wrench
- level

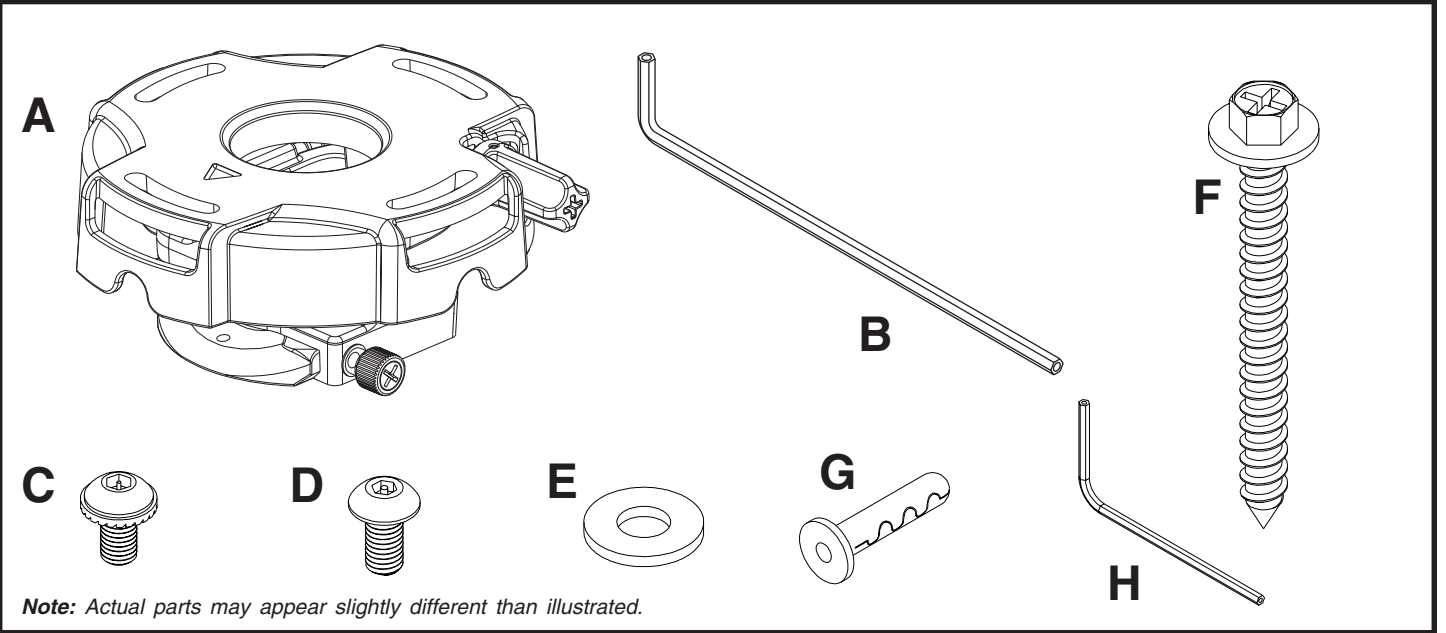
Table of Contents

Parts List	3
Installation to Extension Columns / Ceiling Plate	4
Installation to Wood Joist Ceilings	5
Installation to Concrete Ceilings	6
Installation to Threaded Rods	7
Attaching Adapter Plate to Projector	8
Attaching Adapter Plate to Projector Mount	9
Projector Alignment	10
Accessories	11, 12

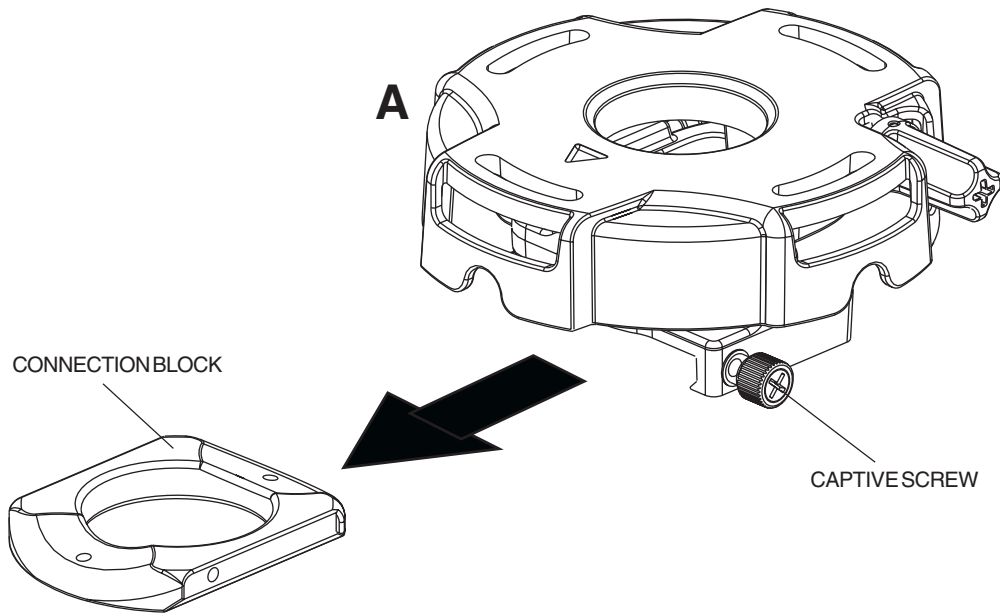
Before you start check the parts list to insure all of the parts shown are included.

Parts List

Description	Qty.	PRG-1 Part #	PRG-1S Part #	PRG-1W Part #
A projector mount assembly	1	055-0764	055-0765	055-0766
B 4 mm security allen wrench	1	560-9646	560-9646	560-9646
C #10-32 x 3/8" serrated washer head socket pin screw	2	520-1151	520-2151	520-2151
D #10-32 x 1/4" socket pin screw	1	520-1196	520-2196	520-2196
E flat washer	2	540-1078	540-1078	540-1078
F #14 x 2.5 phillips hex head wood screw	2	5S1-015-C03	5S1-015-C04	5S1-015-C04
G concrete anchor	2	590-0097	590-0097	590-0097
H 2 mm security allen wrench	1	560-1097	560-1097	560-1097



- 1 Disengage connection block from projector mount assembly (A) by unscrewing captive screw and sliding out connection block as shown.



Installation to Extension Column / Ceiling Plate

2

NOTE: Refer to accompanying instructions with ceiling plates (sold separately) for installing these models to ceiling.

Screw projector mount assembly (A) onto extension column as shown in **figure 2.1**.

NOTE: For 3/4" extension columns, reducer ACC 913 (not included) will be required as shown in **figure 2.2**. Tighten swivel stop screw against extension column, flush mount tube or reducer using 4 mm security allen wrench (B) as shown in **figure 2.3**.

NOTE: Swivel stop screw is used to jam against threads of extension column, flush mount tube or reducer to prevent any excess movement of projector mount assembly (A). Do not overtighten screw; overtightening screw will damage threads making it difficult to separate products.

Skip to step 6.

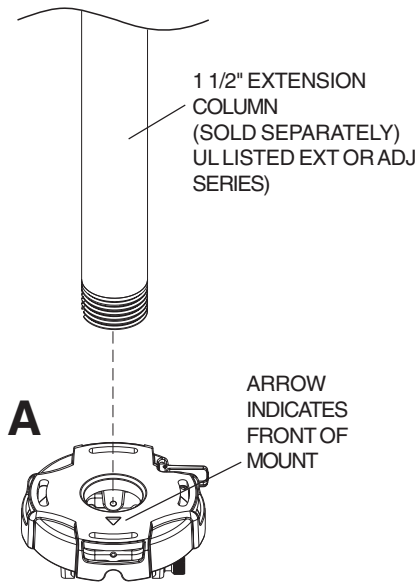


fig. 2.1

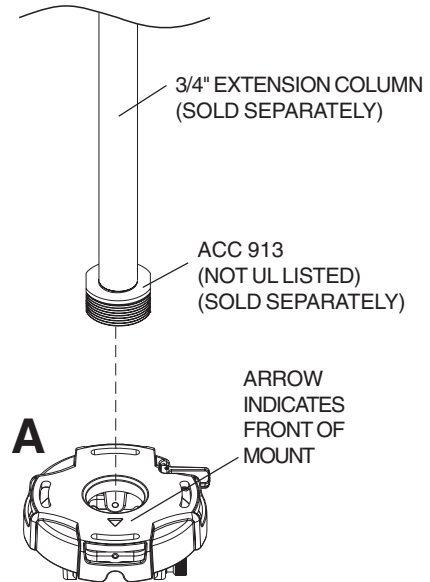


fig. 2.2

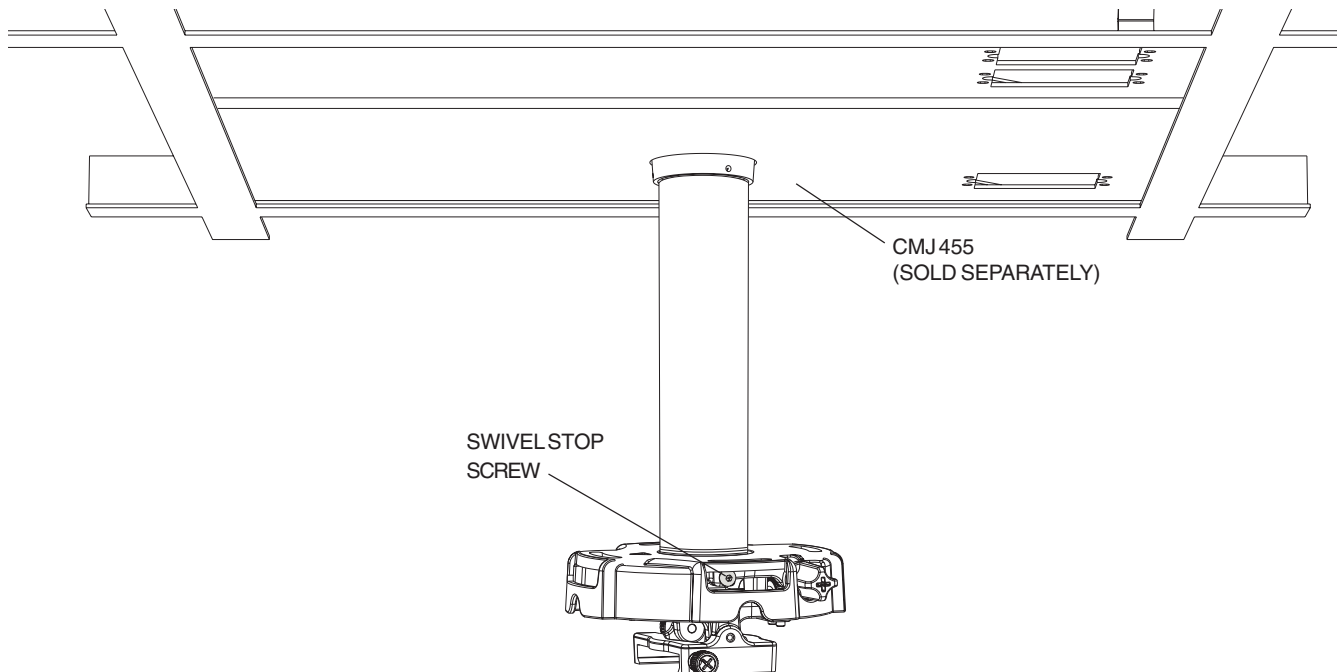


fig. 2.3

Installation To Wood Joist Ceilings

- 3** Place projector mount assembly (A) on ceiling as a template and mark the center of the two mounting holes. Make sure that the mounting holes are in the center of the wood joist. Drill two 5/32" (4 mm) dia. holes to a minimum depth of 2.5" (64 mm). Attach projector mount assembly (A) with two #14 x 2.5" (6 mm x 65 mm) wood screws (F) and two flat washers (E) as shown in **figure 3.1** or **figure 3.2** depending on joist orientation. Tighten wood screws (D) using 3/8" (10 mm) socket wrench, phillips screwdriver or 10mm open end wrench until projector mount assembly (A) is firmly attached.

⚠ WARNING

- Tighten wood screws so that projector mount assembly is firmly attached, but do not overtighten. Overtightening can damage the screws, greatly reducing their holding power.
- Never tighten in excess of 80 in • lb (9 N.M.).
- Make sure that mounting screws are anchored into the center of the studs. The use of an "edge to edge" stud finder is highly recommended.

Skip to step 6.

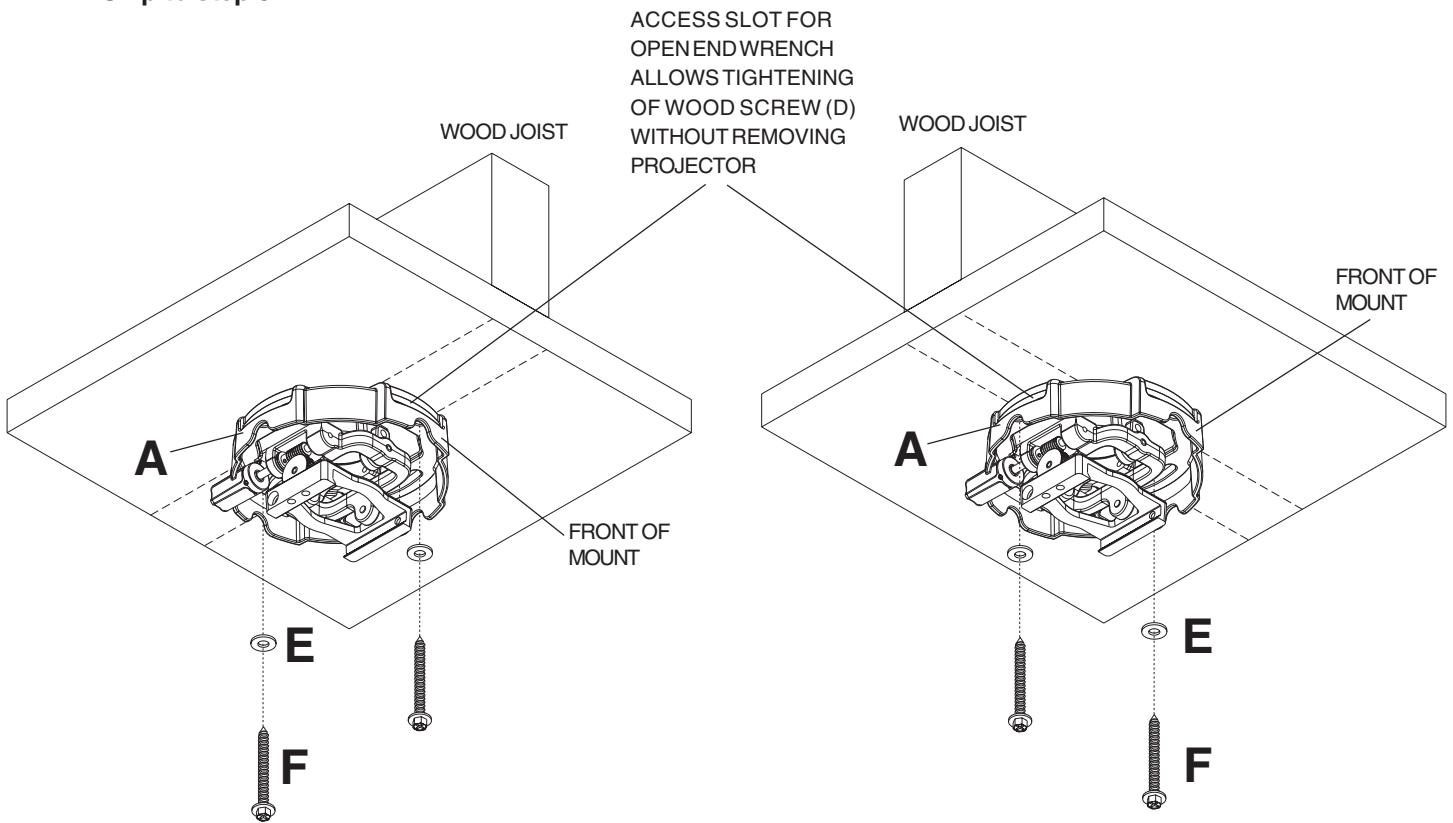


figure 3.1

figure 3.2

Installation to Concrete Ceilings

4 Place projector mount assembly (A) on ceiling as a template and mark the center of the two mounting holes. Drill two 1/4" (6 mm) dia. holes to a minimum depth of 2.5" (64 mm). Attach projector mount assembly (A) using two concrete anchors (G), two flat washers (E), and two #14 x 2.5" wood screws (F) as shown in **Illustration A** and **1**, **2**, and **3** (below). Tighten wood screws (F) using 3/8" (10 mm) socket wrench, phillips screwdriver or 10mm open end wrench until projector mount assembly (A) is firmly attached.

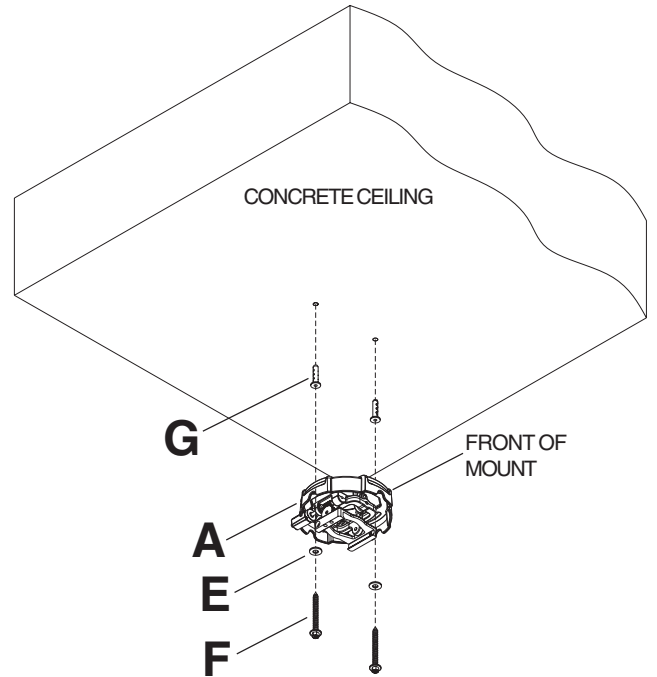


Illustration A

⚠ WARNING

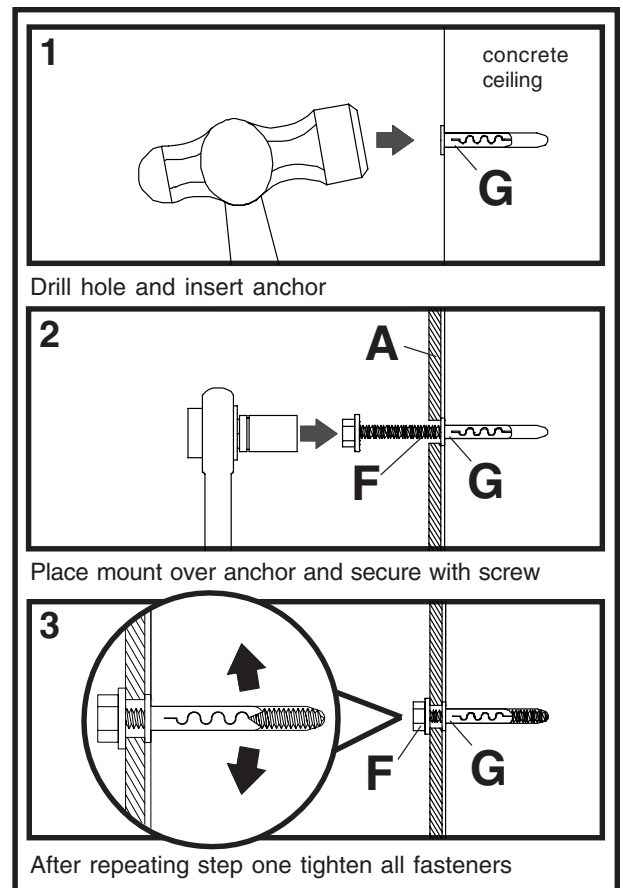
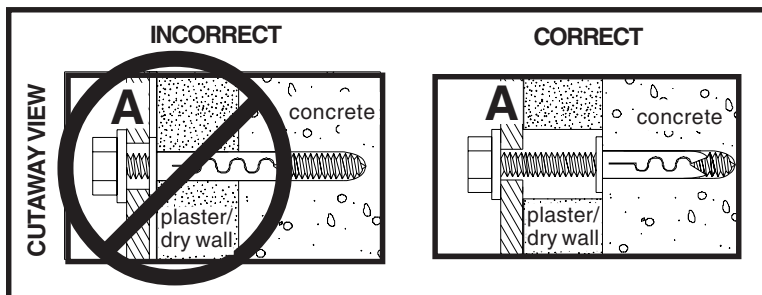
- Tighten wood screws firmly, but do not overtighten. Overtightening can damage the screws, greatly reducing their holding power.
- Never tighten in excess of 80 in • lb (9 N.M.).

NOTE: It is the responsibility of the installer to verify that the ceiling will safely support the combined load of all attached hardware and components.

Skip to step 6.

⚠ WARNING

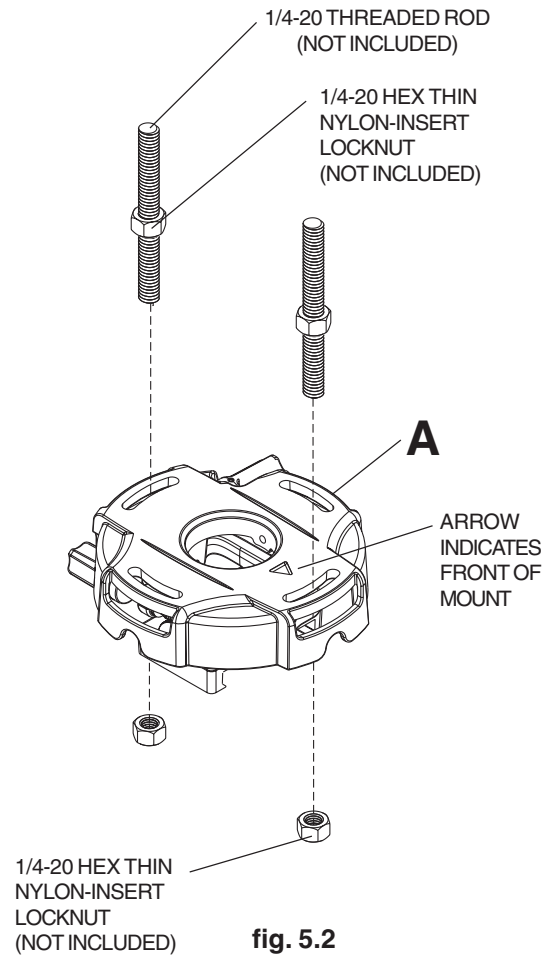
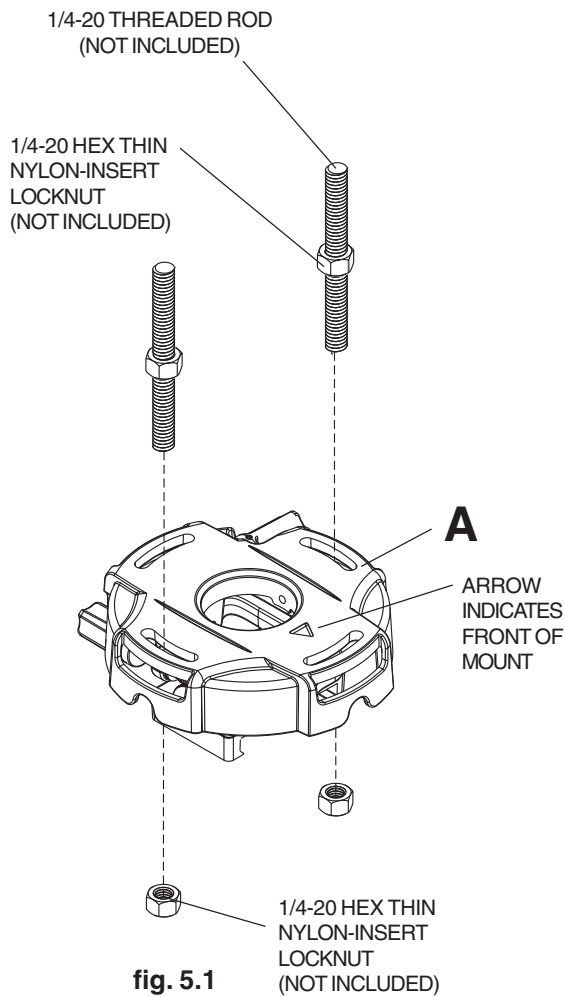
- Concrete anchors are **not** intended for attachment to concrete ceiling covered with a layer of plaster, drywall, or other finishing material. If mounting to concrete ceiling covered with plaster/drywall is unavoidable, plaster/drywall (up to 5/8" thick) must be counterbored as shown below. If plaster/drywall is thicker than 5/8", custom fasteners must be supplied by installer.



Installation to Threaded Rod

(Not evaluated by UL - Professional installation only)

- 5** Thread two 1/4-20 hex thin nylon-insert locknuts (not included) on two 1/4-20 threaded rods (not included) to the desired height of projector mount assembly. Attach projector mount assembly (**A**) to the two 1/4-20 threaded rods using two 1/4-20 hex thin nylon-insert locknuts as shown in **figure 5.1** or **figure 5.2**.



Attaching Adapter Plate to Projector

6 Installing Dedicated Adapter Plate (sold separately)

Note: The projector dedicated adapter plate you are installing may differ in appearance from the sample illustrated right.

Align shoulder on connection block opposite notch in adapter plate. Attach dedicated adapter plate to connection block from projector mount assembly (A) using two #10-32 x 3/8" serrated washer head socket pin screws (C) as shown in figure 6.1.

Note: For PAP 35, PAP 40, and PAP 45 adapter plates, use two #10-32 x 3/4" screws provided with adapter plate in place of screws (C).

Note: Attach dedicated adapter plate to projector (see PAP instructions) before proceeding to step 7.

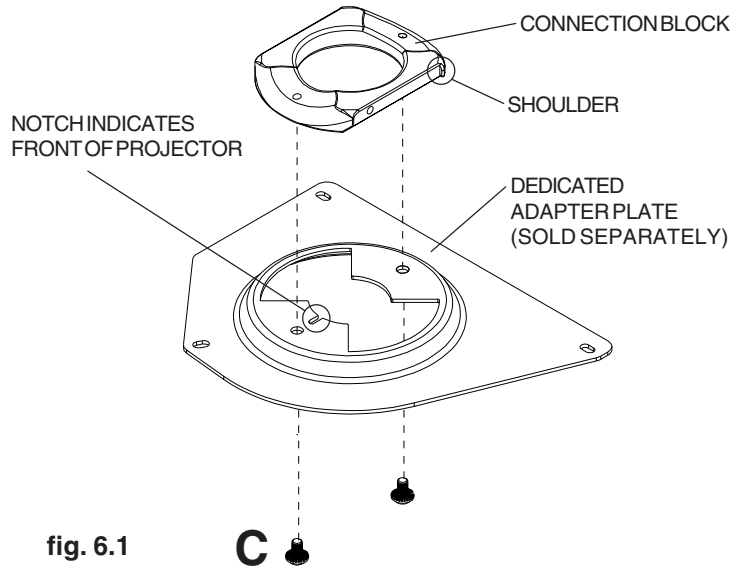


fig. 6.1

Installing PAP-UNV Adapter Plate (sold separately)

Align shoulder on connection block opposite notch in adapter plate. Attach PAP-UNV adapter plate to connection block from projector mount assembly (A) using two #10-32 x 3/8" serrated washer head socket pin screws (C) as shown in figure 6.2.

Note: Attach PAP-UNV adapter plate to projector (see PAP-UNV instructions) before proceeding to step 7.

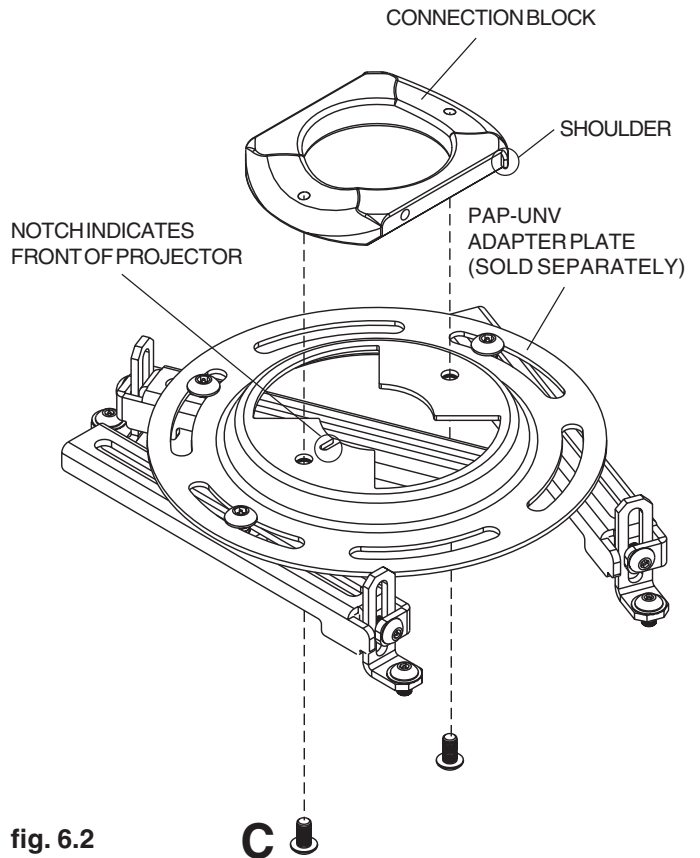


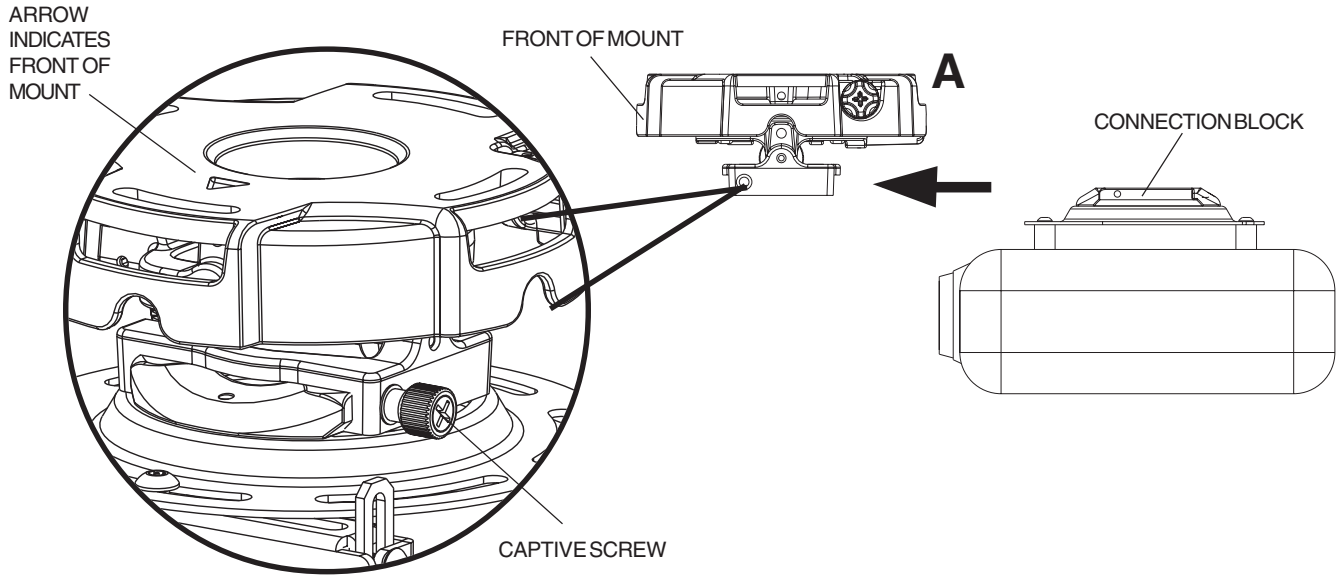
fig. 6.2

Attaching Adapter Plate to Projector Mount

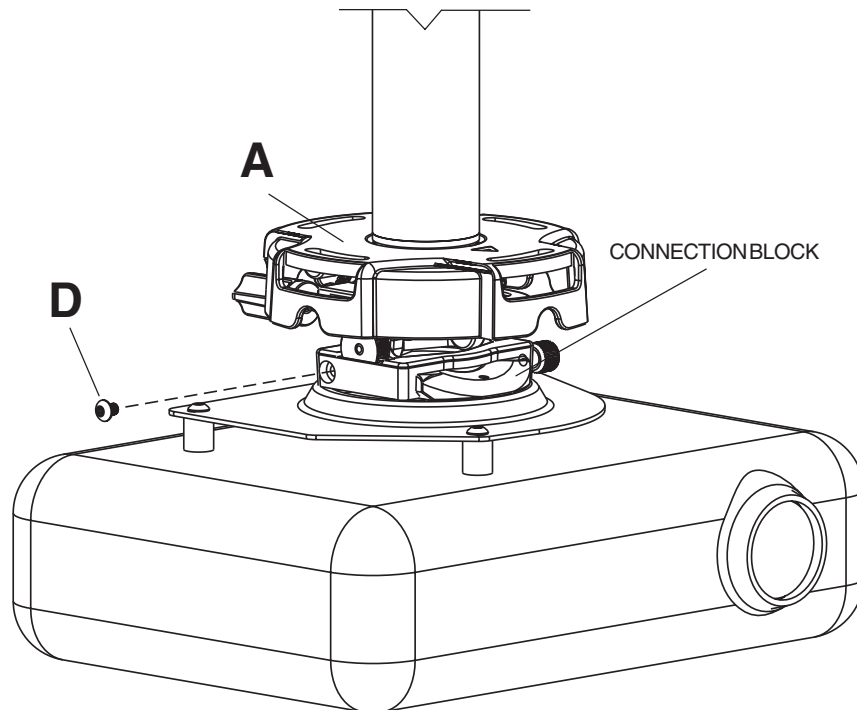
⚠ WARNING

- Do not lift more weight than you can handle. Use additional man power or mechanical lifting equipment to safely handle placement of the screen.

- 7** Slide connection block with projector into projector mount assembly (A) as shown. Tighten captive screw to secure projector to projector mount assembly (A).



- 8** **IMPORTANT:** For security installations, insert one #10-32 x 1/4" socket pin screw (D) through projector mount assembly (A) and into connection block as shown. Tighten screw using 4mm security allen wrench (B).



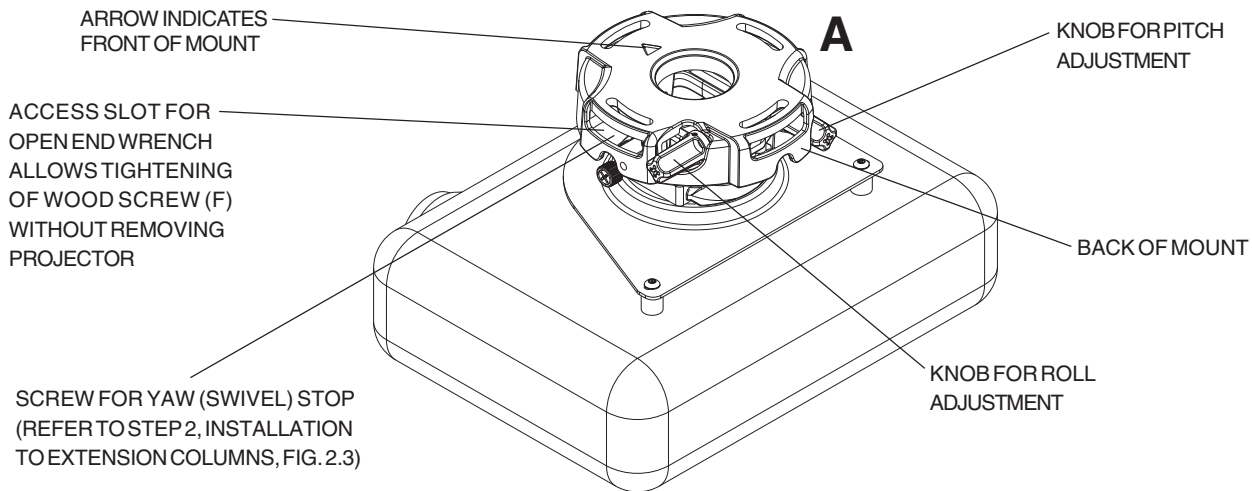
Projector Alignment

9 To adjust yaw (swivel) for wood stud, concrete ceiling, and threaded rod mounting applications: Loosen wood screws (F) if flush mounted to wood joists (step 3) or concrete ceilings (step 4), or loosen locknuts on threaded rods (step 5), until projector mount can be rotated. Rotate mount to desired position and retighten screws or locknuts.

To adjust yaw (swivel) for extension column applications: Loosen screw on projector mount assembly (A) indicated below until projector mount can be rotated. Rotate mount to desired position and retighten screw.

To adjust pitch (forward and backward tilt): Turn knob on back of mount as shown below. Pull knob out and turn by hand for easy adjustment or insert #2 phillips screwdriver in end of knob and turn.

To adjust roll (side to side tilt): Turn knob on side of mount as shown below. Pull knob out and turn by hand for easy adjustment or insert #2 phillips screwdriver in end of knob and turn.

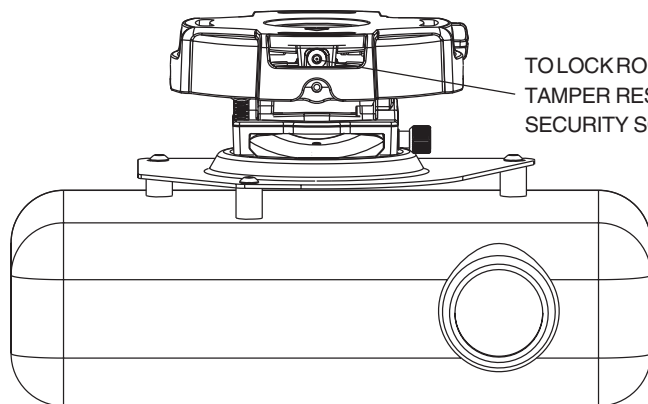


9-1 To prevent tampering with the pitch and roll adjustments: Tighten the two tamper resistant security screws on the projector mount assembly using 4 mm security allen wrench (B) to lock the pitch and roll adjustments as shown below.

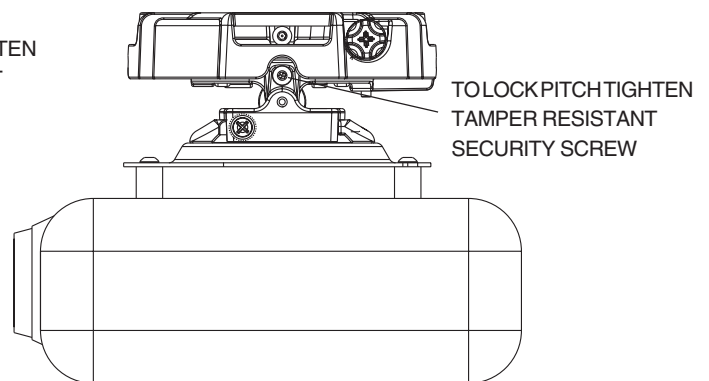
Note: Tighten screws firmly, but do not overtighten. Overtightening can damage the mount.

CAUTION

- Do not adjust pitch or roll while tamper resistant security screws are fully engaged.
- Loosen the two tamper resistant security screws one complete turn before adjusting the projector mount assembly or damage may occur.



FRONT VIEW



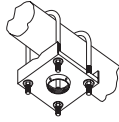
SIDE VIEW

PRG Series Projector Mount Accessories

Ceiling Plates

Truss Ceiling Adapter

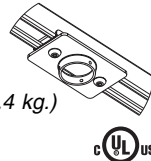
MODEL: ACC 557*
MAX LOAD: 250 lbs. (113.4 kg.)
COLOR: Black



- Attaches to a square, round, rectangular, or I-Beam truss up to 3" in diameter

Unistrut® Adapter

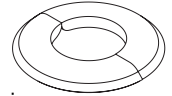
MODEL: ACC 550
MAX LOAD: 250 lbs. (113.4 kg.)
COLOR: Black



- Designed for use with 1 5/8" x 1 5/8" 12 gauge Unistrut

Escutcheon Ring

MODEL: ACC 640

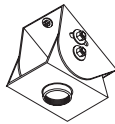


- Covers hole where extension column passes through ceiling
- Hinged ring wraps around extension column
- Included with CMJ 500

New!

Lightweight Cathedral Ceiling Plate

MODEL: ACC 912*
MAX LOAD: 60 lbs. (27.2 kg.)
COLOR: Black

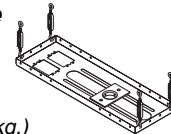


- Designed specifically for projectors
- Allows a projector to be mounted on an angled ceiling

New!

Lightweight Adjustable Suspended Ceiling Kit

MODEL: CMJ 500*
MAX LOAD: 60 lbs. (27.2 kg.)
COLOR: White



- Mounts above 2' x 4' or 2' x 2' false ceiling tile
- Includes tie wire supports, flush mount tube, and offers two knockout panels for outlet boxes
- Offers unlimited adjustment for projector placement

New Color Options!

Round Ceiling Plate

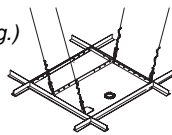
MODEL: ACC 570(S)(W)
MAX LOAD: 150 lbs. (68 kg.)
COLOR: Black, Silver, White



- Designed for finished or structural ceilings (wood or concrete)
- Features a cord management access hole
- Now available in Silver or White

Lightweight Suspended Ceiling Kit

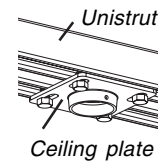
MODEL: CMJ 455
MAX LOAD: 50 lbs. (22.7 kg.)
COLOR: White



- Five different projector mount attachment points
- Includes tie wire supports, flush mount tube, and offers two knockout panels for outlet boxes
- May either **replace** a 2' x 2' false ceiling tile or mount **above** an existing 2' x 2' or 2' x 4' ceiling tile

Unistrut or Structural Ceiling Plates

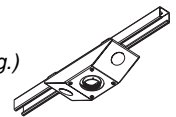
MODELS: CMJ 300*, CMJ 310*
MAX LOAD: 250 lbs. (113.4 kg.)
COLOR: Black



- CMJ 300 is a 4" x 4" ceiling plate
- CMJ 310 is a 8" x 8" ceiling plate
- Designed for a Unistrut ceiling (1 5/8" x 1 5/8" 12 gauge Unistrut) or a solid structural ceiling (mounting hardware not included)

Anti-Vibration Ceiling Plates

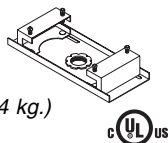
MODELS: ACC 840*, ACC 845*
MAX LOAD: 60 lbs. (27.2 kg.)
COLOR: Black



- ACC 840 was designed for a structural ceiling (wood only)
- ACC 845 was designed for a Unistrut ceiling (1 5/8" x 1 5/8" 12 gauge Unistrut)
- Reduces unwanted vibrations that may cause internal damage to the equipment and/or cause the screen image to vibrate
- Features two cord management access holes
- Patent pending

I-Beam Clamps

MODELS: ACC 558, ACC 559
MAX LOAD: 250 lbs. (113.4 kg.)
COLOR: Black



- ACC 558 clamps onto 4"-8" I-Beam
- ACC 559 clamps onto 7"-12" I-Beam

Accessory Pack for CMJ 455

MODEL: ACC 455*

This pack includes 4 hanger brackets and 4 hanger clamps for additional stability. For use with model CMJ 455.

*** = Not UL Listed**

PRG Series Projector Mount Accessories

Cord Wrap

MODELS: ACC 852(W)(S)*

COLOR: Black, White, or Silver



- Includes, four, 2' sections
- Designed to externally route cords along the outside of an 1/2" extension column
- Sections can be stacked to create longer lengths or cut to desired length

Cord Management

New!

3/4" Pipe Reducer

MODEL: ACC 913*

- For use with FLP model extension columns
- Order an additional reducer to attach ceiling plates with 1 1/2" hole

New!

Fixed Length 3/4" Extension Columns*

LOAD CAPACITY: 60 lbs. (27.2 kg.)

MODEL	Drop Length
FLP006	8"
FLP101	14"
FLP102	26"
FLP103	38"



Fixed Length 1 1/2" Extension Columns

COLOR: Black

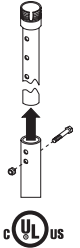
MODEL	Drop Length	Ship Weight
EXT 006	8" (20 cm)	2.5 lbs (1.13 kg)
EXT 018	20" (51 cm)	5 lbs (2.27 kg)
EXT 101	14" (36 cm)	3.5 lbs (1.59 kg)
EXT 102	26" (66 cm)	6 lbs (2.72 kg)
EXT 103	38" (97 cm)	9.25 lbs (4.2 kg)
EXT 104	50" (127 cm)	12 lbs (5.44 kg)
EXT 105	62" (158 cm)	14.75 lbs (6.69 kg)
EXT 106	74" (188 cm)	18 lbs (8.16 kg)
EXT 107	86" (219 cm)	20.75 lbs (9.41 kg)
EXT 108	98" (249 cm)	23.25 lbs (10.55 kg)
EXT 109	110" (279 cm)	26.5 lbs (12.02 kg)
EXT 110	122" (310 cm)	29 lbs (13.15 kg)



Adjustable Length 1 1/2" Extension Columns

COLOR: Black

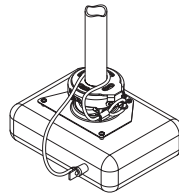
MODEL	Drop Length	Ship Weight
ADJ 006009	8"-11"	4 lbs. (1.81 kg)
ADJ 012018	14"-20"	4.75 lbs. (2.15 kg)
ADJ 018024	20"-26"	6.25 lbs. (2.83 kg)
ADJ 0203	26"-38"	8 lbs. (3.63 kg)
ADJ 0305	38"-62"	13.5 lbs. (6.12 kg)
ADJ 0406	50"-74"	16.25 lbs. (7.37 kg)
ADJ 0507	62"-86"	18.5 lbs. (8.39 kg)
ADJ 0608	74"-98"	21.75 lbs. (9.87 kg)
ADJ 0709	86"-110"	24.5 lbs. (11.11 kg)
ADJ 0810	98"-122"	27 lbs. (12.25 kg)
ADJ 0911	110"-134"	29 lbs. (13.15 kg)
ADJ 1012	122"-146"	31 lbs. (14.06 kg)



New Low Price!

MODEL: ACC 020*

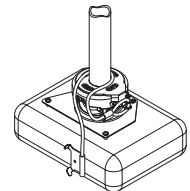
- With security lock
- For use with projectors that have a built-in security slot



Armor Lock™ Plus Security Cables

MODEL: ACC 021*

- With 1/4" security cable and fasteners
- Includes adhesive for non-fastener applications



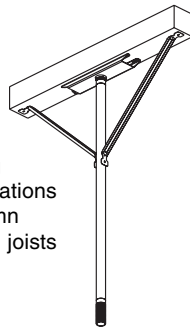
Security Accessories

Extension Column Stabilizer Kit

MODEL: ACC 050*

COLOR: Black

- Can be used to reduce unwanted swaying that may occur with extension column installations
- Includes a hose clamp, two stabilizer column supports, & hardware for mounting to wood joists
- For use with extension columns over 21"



ALLIGATOR® Concrete Anchors

MODELS: ACC 203, 204

- ACC 203 contains 3 anchors
- ACC 204 contains 4 anchors
- Used for attachment to concrete, concrete block, or brick
- Used in conjunction with wood screws (supplied with projector mount and/or ceiling plate)
- Expands in length and binds to the contours of the hole and the screw



Additional Projector Mount Accessories

Extension Column Connector

MODEL: ACC 109*

COLOR: Black

- Can be used to join two 1 1/2" extension columns to create a maximum length of 20'
- Secures to columns with Armor Lock™ Security screws

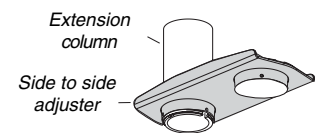


Side-To-Side Adjuster

MODEL: ACC 830*

COLOR: Black

- Provides 4" of radial adjustment side to side
- Includes Flush Mount Tube, EXT 002



* = Not UL Listed