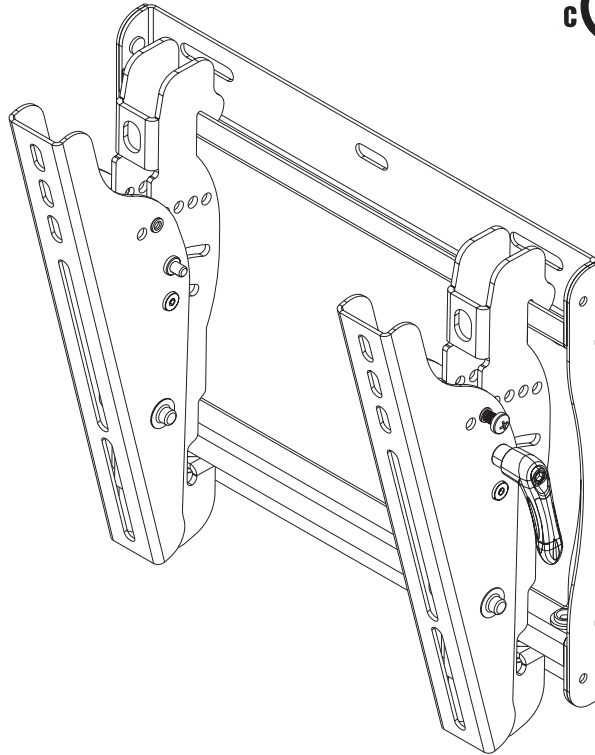


Installation and Assembly: SmartMount® Universal Flat Wall Mount for 13" to 37" Flat Panel Screens

Models: ST635, ST635-S, ST635P, ST635P-S



This product is UL Listed. It must be installed by a qualified professional installer.



Maximum UL Load Capacity: 125 lb (57 kg)

Features:

- For virtually all 13" to 37" flat panel screens
- Universal mount fits screens with mounting hole patterns up to 9.6" W x 9.5" H
- Screen held only 2.6" from wall for a discreet installation
- Open wall plate design allows for greater wall and an array of cable management options
- Universal tilt brackets easily hook onto the wall plate for fast installation
- Adjustable up to 15° of forward tilt and up to -5° backward tilt for optimal viewing angle
- One-touch tilt for effortless adjustment
- Easy locking handle locks the screen position into place without the use of tools
- Optional IncreLok feature offers fixed tilts at -5°, 0°, 5°, 10° and 15° increments
- Includes Sorted-For-You™ fastener packs for installation to wood studs, concrete and cinder block
- Optional horizontal adjustment of up to 8" (depending on screen model) for perfect screen placement
- Available in Black or Silver

NOTE: Read entire instruction sheet before you start installation and assembly.

WARNING

- Do not begin to install your Peerless product until you have read and understood the instructions and warnings contained in this Installation Sheet. If you have any questions regarding any of the instructions or warnings, please call Peerless customer care at 1-800-865-2112.
- This product should only be installed by someone of good mechanical aptitude, has experience with basic building construction, and fully understands these instructions.
- Make sure that the supporting surface will safely support the combined load of the equipment and all attached hardware and components.
- Never exceed the Maximum UL Load Capacity. See page one.
- If mounting to wood wall studs, make sure that mounting screws are anchored into the center of the studs. Use of an "edge to edge" stud finder is highly recommended.
- Always use an assistant or mechanical lifting equipment to safely lift and position equipment.
- Tighten screws firmly, but do not overtighten. Overtightening can damage the items, greatly reducing their holding power.
- This product was designed and intended to be mounted to the following supporting surfaces checked below with the hardware included in this product as specified in the installation sheet. To mount this product to an alternative supporting surface, contact Peerless customer care at 1-800-865-2112.
- This product was designed to be installed on the following wall construction only;

WALL CONSTRUCTION

ADDITIONAL HARDWARE REQUIRED

<input checked="" type="checkbox"/> Wood Stud	None
<input checked="" type="checkbox"/> Wood Beam	None
<input checked="" type="checkbox"/> Solid Concrete	None
<input checked="" type="checkbox"/> Cinder Block	None
<input checked="" type="checkbox"/> Metal Stud	Do not attach except with Peerless accessory kit for metal studs; Contact Customer Service for Peerless accessory kit for metal studs.
<input type="checkbox"/> Brick	Contact Customer Service
<input type="checkbox"/> Other or unsure?	Contact Customer Service

Tools Needed for Assembly

- stud finder ("edge to edge" stud finder is recommended)
- phillips screwdriver
- drill
- 1/4" bit for concrete and cinder block wall
- 1/2" bit for metal stud wall
- 5/32" bit for metal or wood stud wall
- level

Accessories

- ACC215 - Metal Stud Fastener Kit (Metal stud installation is not evaluated by UL)
- SCS211 - SmartMount® Component Shelf

Table of Contents

Parts List	3
Installation to Wood Stud Wall	4
Installation to Solid Concrete or Cinder Block	5
Installing Adapter Brackets	6
Installing Flat Panel Screen to Wall Plate	7

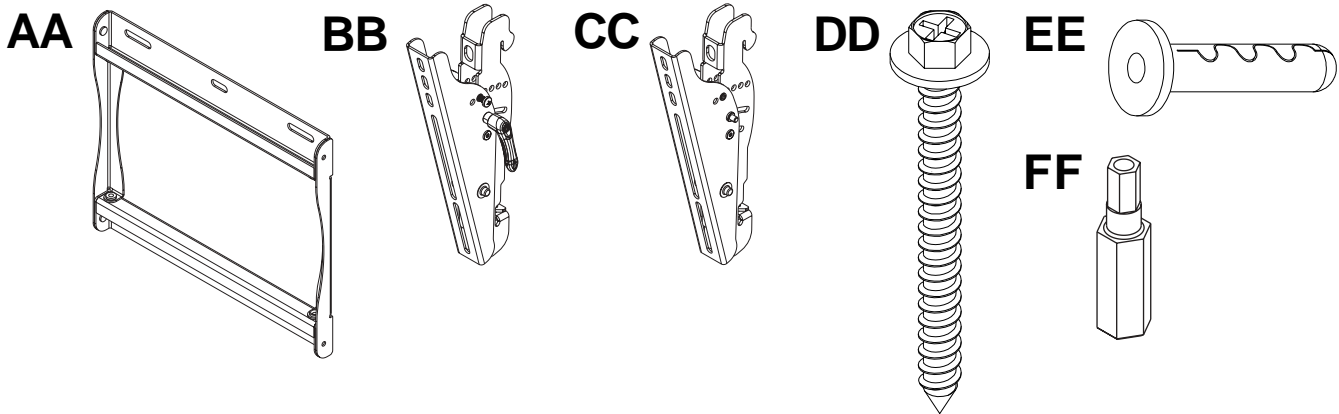
For customer care call (800) 865-2112 or (708) 865-8870.

Before you begin, make sure all parts shown are included with your product.

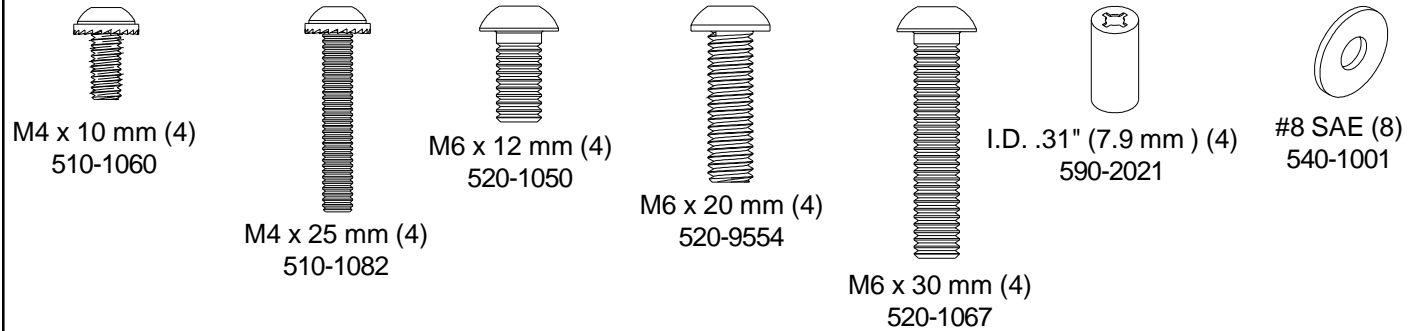
Parts List

Description	Qty.	Non-Security		Security	
		ST635P Black	ST635P-S Silver	ST635 Black	ST635-S Silver
AA wall plate	1	201-1506	201-4506	201-1506	201-4506
BB left adapter bracket	1	201-1463	201-4463	201-1464	201-4464
CC right adapter bracket	1	201-1461	201-4461	201-1462	201-4462
DD #14 x 2.5" wood screw	2	5S1-015-C03	5S1-015-C03	5S1-015-C03	5S1-015-C03
EE alligator® anchor	2	590-0097	590-0097	590-0097	590-0097
FF 4 mm security driver	1	not included	not included	560-1133	560-1133

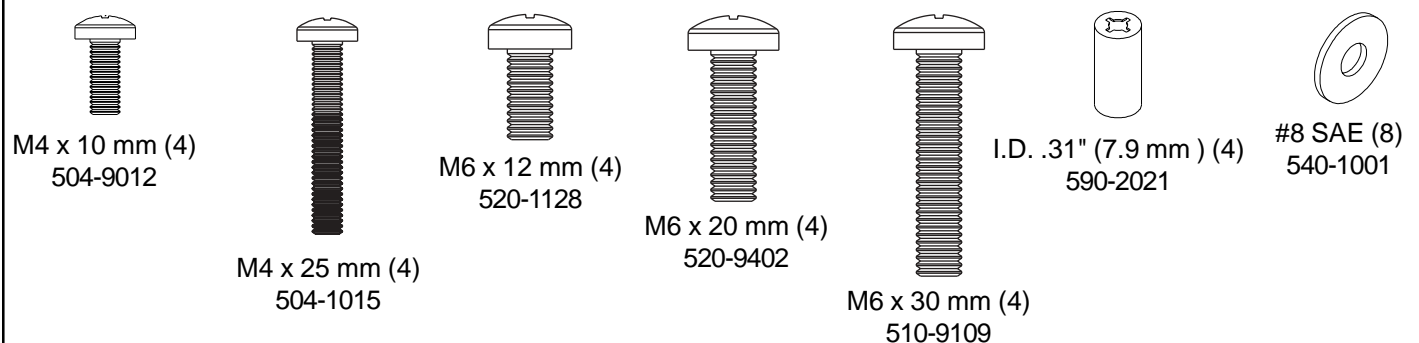
Parts may appear slightly different than illustrated.



Security Adapter Bracket Fasteners



Non-Security Adapter Bracket Fasteners



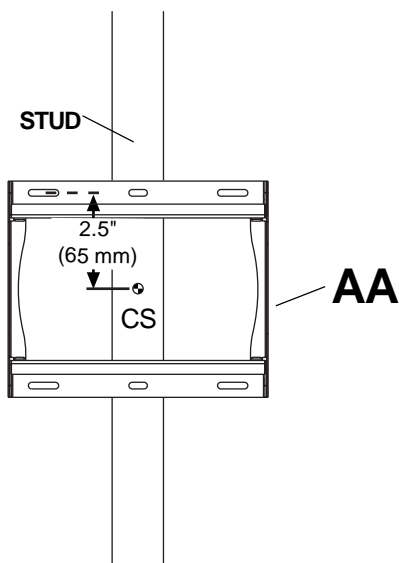
Installation to Wood Stud Wall

⚠ WARNING

- Installer must verify that the supporting surface will safely support the combined load of the equipment and all attached hardware and components.
- Tighten wood screws so that wall plate is firmly attached, but do not overtighten. Overtightening can damage the screws, greatly reducing their holding power.
- Never tighten in excess of 80 in. • lb (9 N.M.).
- Make sure that mounting screws are anchored into the center of the stud. The use of an "edge to edge" stud finder is highly recommended.
- Hardware provided is for attachment of mount through standard thickness drywall or plaster into wood studs. Installers are responsible to provide hardware for other types of mounting situations.

- 1 Use a stud finder to locate the edges of the studs. Use of an edge-to-edge stud finder is highly recommended. Based on their edges, draw a vertical line down each stud's center. Place wall plate on wall as a template. The top mounting slots should be 2.5" (65 mm) above the desired screen center as shown in figure 1.1. Level plate, and mark the center of the two mounting holes. Make sure that the mounting holes are on the stud centerlines. Drill two 5/32" (4 mm) dia. holes 2-1/2" (65 mm) deep. Make sure that the wall plate is level, secure it using two #14 x 2.5" wood screws (**DD**) as shown in figure 1.2.

Skip to step 2.



CS = center of screen

fig. 1.1

CAUTION

- If wall mount is not level, it will be crooked when mounted.

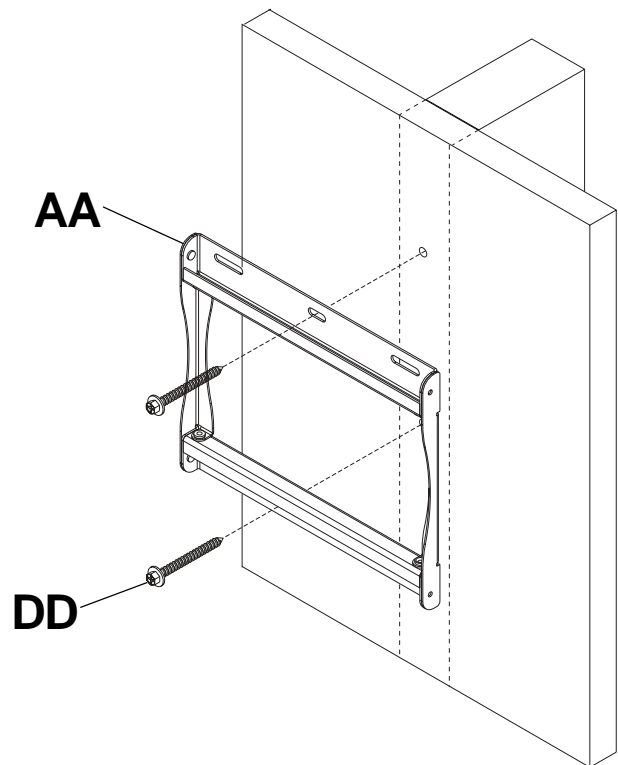


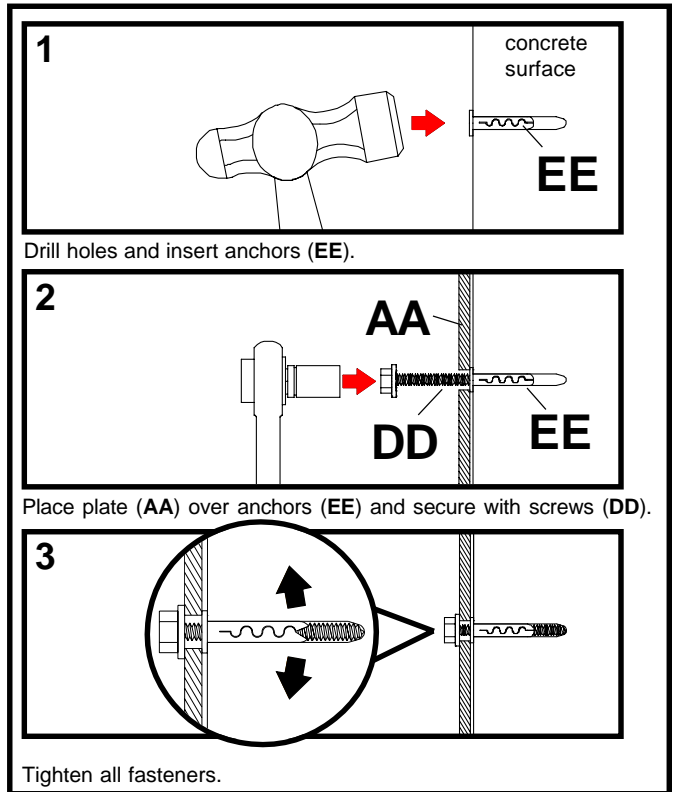
fig. 1.2

Installation to Solid Concrete or Cinder Block

⚠ WARNING

- When installing Peerless wall mounts on cinder block, verify that you have a minimum of 1-3/8" of actual concrete thickness in the hole to be used for the concrete anchors. Do not drill into mortar joints! Be sure to mount in a solid part of the block, generally 1" minimum from the side of the block. Cinder block must meet ASTM C-90 specifications. It is suggested that a standard electric drill on slow setting is used to drill the hole instead of a hammer drill to avoid breaking out the back of the hole when entering a void or cavity.
- Concrete must be 2000 psi density minimum. Lighter density concrete may not hold concrete anchor.
- Make sure that the supporting surface will safely support the combined load of the equipment and all attached hardware and components.

- 1** Make sure that wall plate (**AA**) is level, use it as a template to mark two mounting holes. The top mounting hole should be 2.5" (65 mm) above the desired screen center as shown in fig. 1.1 on page 4. Drill two 1/4" (6 mm) dia. holes to a minimum depth of 2.5" (65 mm). Insert anchors (**EE**) in holes flush with wall as shown (right). Place wall plate over anchors and secure with two #14 x 2.5" screws (**DD**). Level, then tighten all fasteners.

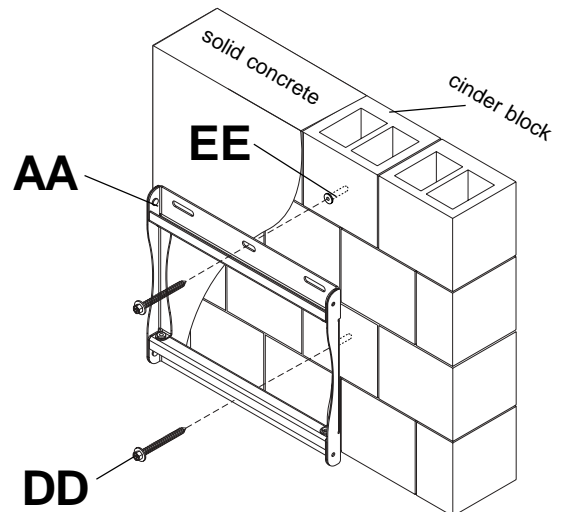
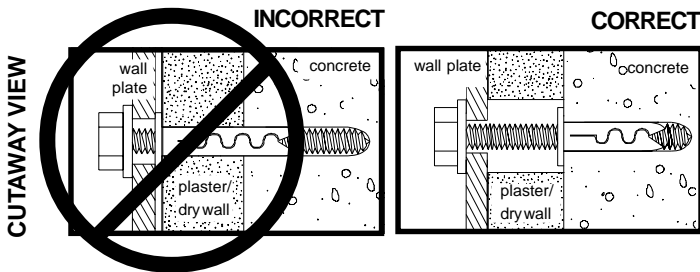


⚠ WARNING

- Tighten screws so that wall plate is firmly attached, but do not overtighten. Overtightening can damage screws, greatly reducing their holding power.
- Never tighten in excess of 80 in. • lb (9 N.M.).

⚠ WARNING

- Always attach concrete anchors directly to load-bearing concrete.
- Never attach concrete anchors to concrete covered with plaster, drywall, or other finishing material. If mounting to concrete surfaces covered with a finishing surface is unavoidable, the finishing surface must be counterbored as shown below. Be sure concrete anchors do not pull away from concrete when tightening screws. If plaster/drywall is thicker than 5/8", custom fasteners must be supplied by installer.



Installing Adapter Brackets

⚠ WARNING

- If screws don't get three complete turns in the screen inserts or if screws bottom out and adapter brackets are still not tightly secured, damage may occur to screen or product may fail. Contact customer care for correct hardware to use.

2 To prevent scratching the screen, set a cloth on a flat, level surface that will support the weight of the screen. Place screen face side down. Place and align adapter brackets (**BB & CC**) on back of screen to VESA hole pattern as shown in fig. 2.1. For additional screen compatibility please refer to the LCD interface list on our website: www.peerlessmounts.com.

Note: If mounting holes are not centered on back of screen, center brackets on back of screen as shown in fig. 2.2.

Find the VESA® hole pattern below, and attach brackets to screen accordingly. Verify that all holes are properly aligned, and then tighten screws using security driver (**FF**).

FOR VESA 75 MOUNTING PATTERN:

Attach adapter brackets (**BB & CC**) to back of screen using four M4 x 10 mm screws and four #8 SAE upper washers as shown in figure 2.3.

***Note:** If hole pattern is in a pocket, attach adapter brackets (**BB & CC**) to back of screen using four M4 x 25 mm screws, eight #8 SAE upper and lower washers, and four retaining spacers as indicated below.

FOR VESA 100 MOUNTING PATTERN:

Attach adapter brackets (**BB & CC**) to back of screen using four M4 x 10 mm screws and four #8 SAE upper washers as shown in figure 2.3.

***Note:** If hole pattern is in a pocket, attach adapter brackets (**BB & CC**) to back of screen using four M4 x 25 mm screws, eight #8 SAE upper and lower washers, and four retaining spacers as indicated below.

FOR VESA 200 MOUNTING PATTERN:

Attach adapter brackets (**BB & CC**) to back of screen using four M4 x 10 mm screws and four #8 SAE upper washers as shown in figure 2.3.

***Note:** If M4 x 10 mm screws gets less than three threads of engagement, attach adapter brackets (**BB & CC**) to back of screen using four M4 x 25 mm screws, eight upper and lower #8 SAE washers, and four retaining spacers as indicated below.

FOR VESA 200 x 200 MOUNTING PATTERN:

Attach adapter brackets (**BB & CC**) to back of screen using four M6 x 12 mm screws as shown in figure 2.3.

***Note:** If M6 x 12 mm screw gets less than three threads of engagement, attach adapter brackets (**BB & CC**) to back of screen using four M6 x 20 mm screws as indicated below.

If M6 x 20 mm screws get less than three threads of engagement, attach adapter brackets (**BB & CC**) to back of screen using four M6 x 30 mm screws as indicated below.

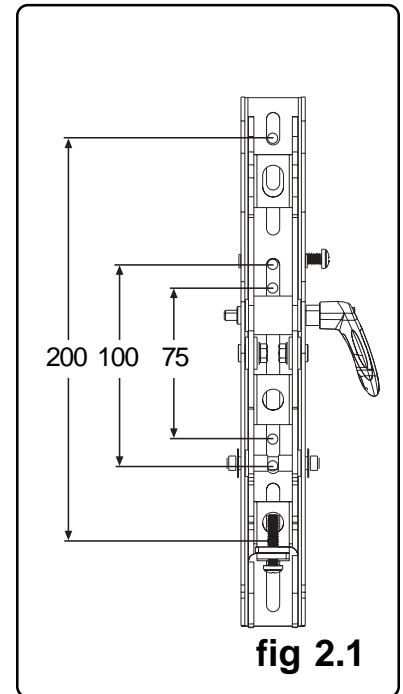
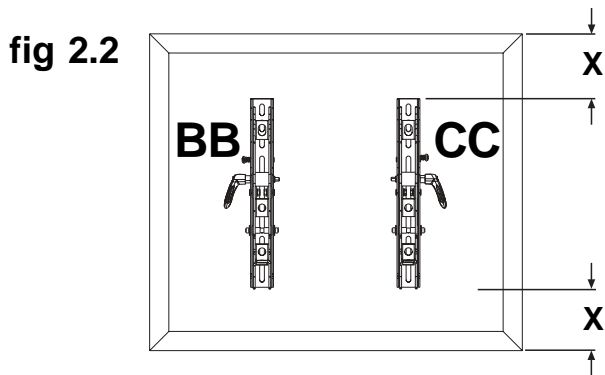


fig 2.1



NOTE: "X" DIMENSIONS SHOULD BE EQUAL.

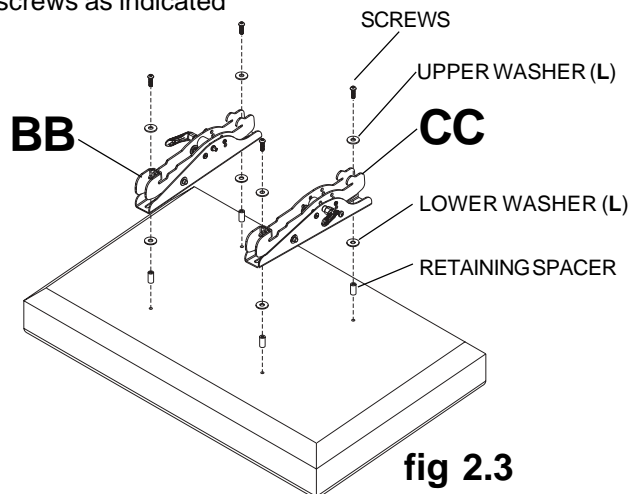


fig 2.3

Mounting and Removing Flat Panel Screen

⚠ WARNING

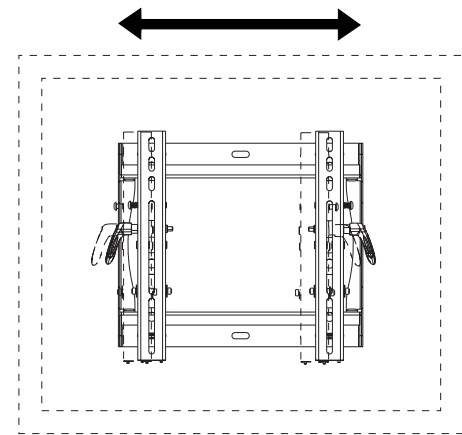
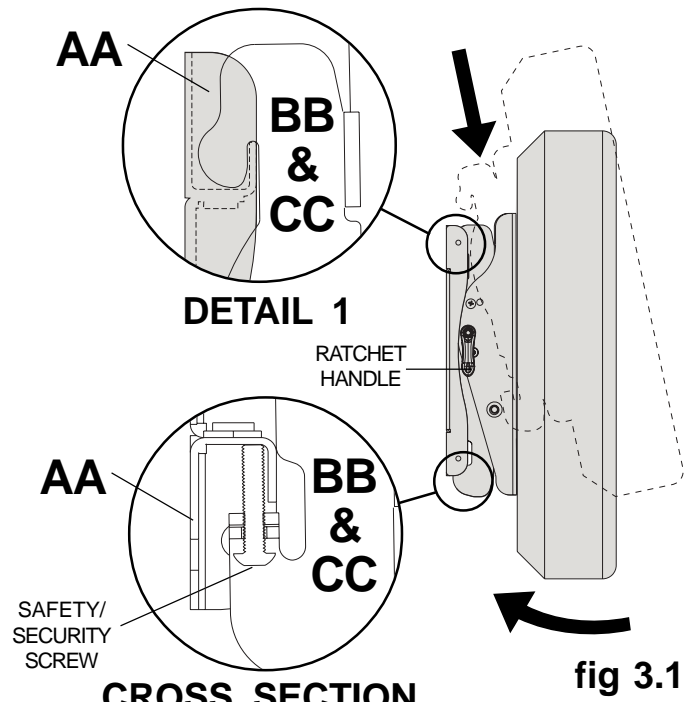
- Always use an assistant or mechanical lifting equipment to safely lift and position the flat panel screen.
- Do not tighten screws with excessive force. Overtightening can cause damage to mount. Tighten screws to 40 in. • lb (4.5 N.M.) maximum torque.
- Be careful not to pinch fingers when pushing screen from the bottom.

3 Tension Adjustment of Ratchet Handle: Adjust tension in adapter brackets (**BB & CC**) by rotating ratchet handle. **NOTE:** If obstruction prevents ratchet handle from rotating, pull handle out while turning will allow handle to reposition without tightening. Release and turn handle to tighten or loosen.

Mounting Screen: Ratchet handle **must** be in the up or down position or interference will occur while hooking adapter brackets to wall plate (**AA**). Slowly hook adapter brackets (**BB & CC**) onto wall plate (**AA**) and swing screen down as shown in fig. 3.1. Adapter bracket hooks must fully engage wall plate as shown in detail 1. Using phillips screw driver or security driver (**FF**), turn safety/security screws on adapter brackets (**BB & CC**) clockwise till screw tip securely contacts wall plate as shown in cross section.

Screen Adjustment: Screen can be adjusted horizontally by loosening safety/security screws on adapter brackets (**BB & CC**) three full turns. Adjust screen as shown in figure 3.2. Tighten safety/security screws on adapter brackets till screw tip securely contacts wall plate as shown in cross section.

Removing Screen: To remove screen from mount, loosen safety screws, swing screen away from mount, and lift screen off of mount.

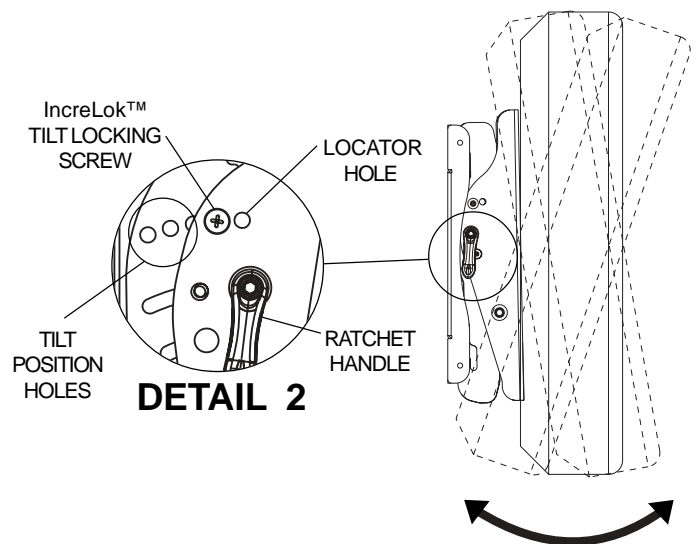


Adjusting the Tilt Angle of the Flat Panel Screen

4 For preset tilt angles use Increlok™ and for custom tilt angle use ratchet handle.

INCRELOK™: The screen can be locked into a pre-set tilt position of -5°, 0°, 5°, 10° or 15°. Use locator hole to find tilt position hole and tilt screen to align holes. Tighten IncreLok™ tilt locking screws on both adapter brackets to lock tilt as shown in detail 2.

Ratchet Handle: Loosen ratchet handle (refer to step 3 for tension adjustment of handle). Push or pull from top or bottom of screen to adjust tilt as shown in figure 4.1. The tilt can be adjusted to a maximum of 15° forward or 5° backward.



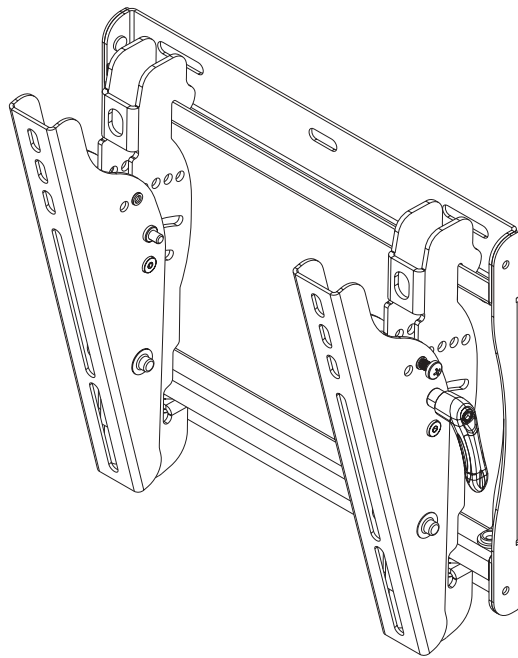
Instalación y ensamblaje:

Soporte universal de pared plano SmartMount® para pantallas planas de 13" a 37"

Modelos: ST635, ST635-S, ST635P, ST635P-S



Ce produit est homologué UL. Il doit être installé par un installateur professionnel qualifié.



Máxima capacidad de carga UL: 125 lb (57 kg)

Características:

- Para prácticamente todas las pantallas planas de 13" a 37"
- El soporte universal sostiene pantallas con configuraciones de montaje de hasta 9.6" W x 9.5" H
- Sostiene el televisor a sólo 2.6" de la pared para proporcionar una instalación discreta
- El diseño abierto de la placa de pared permite más acceso a la pared y proporciona una variedad de opciones para el manejo de cables
- Los soportes inclinables universales se enganchan con facilidad a la placa de pared para proporcionar una instalación rápida
- Inclinación ajustable hacia delante de hasta 15° y hacia atrás de hasta -5° para ver el televisor desde un ángulo óptimo
- Inclinación de un solo toque para permitir el ajuste sin esfuerzo
- La palanca de fijación fácil fija la posición de la pantalla con seguridad sin la necesidad de usar herramientas
- La función opcional IncreLok™ ofrece ángulos de inclinación predeterminados en incrementos de -5°, 0°, 5°, 10° y 15°
- Incluye paquetes de sujetadores Sorted-For-You™ para instalaciones en montantes de madera, concreto y bloques de hormigón de escorias
- Ajuste horizontal opcional de hasta 8" (dependiendo del modelo de la pantalla) para la colocación perfecta de la pantalla
- A la venta en color negro y plateado

Nota: Lea la hoja de instrucciones completa antes de comenzar la instalación y el ensamblaje.

⚠ ADVERTENCIA

- No comience a instalar su producto de Peerless hasta haber leído y entendido las instrucciones y las advertencias contenidas en la Hoja de Instalación. Si tiene alguna pregunta acerca de cualquiera de las instrucciones o las advertencias, por favor, llame a Servicio al Cliente de Peerless al 1-800-865-2112.
- Este producto sólo debe ser instalado por una persona que tenga una aptitud mecánica, que tenga experiencia en construcción básica de edificios y que entienda estas instrucciones en su totalidad.
- Asegúrese de que la superficie de apoyo sostendrá, con seguridad, la carga combinada del equipo y todos los fijadores y componentes.
- Nunca sobrepase la capacidad máxima de soportar carga aceptada por Underwriters Laboratories. (Vea la página 8).
- Si va a instalar el producto en una pared con montantes de madera, asegúrese de que los tornillos de montaje estén anclados en el centro de los montantes. Se recomienda utilizar un localizador de montantes de "borde a borde".
- Siempre cuente con la ayuda de un asistente o utilice un equipo mecánico de izar para levantar y colocar el equipo con más seguridad.
- Apriete los tornillos con firmeza, pero no en exceso. Apretarlos en exceso puede dañar los artículos y puede disminuir significativamente su fuerza de fijación.
- Este producto fue diseñado con la intención de que se instale en las superficies de apoyo marcadas abajo con los accesorios de instalación incluidos en este producto como se especifica en la hoja de instalación. Para instalar este producto en otra superficie de apoyo, llame a Servicio al Cliente de Peerless al 1-800-865-2112.
- Este producto fue diseñado para ser instalado en paredes con la siguiente construcción solamente:

CONSTRUCCIÓN DE LA PARED

ACCESORIOS ADICIONALES NECESARIOS

<input checked="" type="checkbox"/> Montante de madera	Ninguno
<input checked="" type="checkbox"/> Viga de madera	Ninguno
<input checked="" type="checkbox"/> Concreto macizo	Ninguno
<input checked="" type="checkbox"/> Bloque de hormigón de escorias	Ninguno
<input type="checkbox"/> Montante de metal	No lo instale excepto con el juego de accesorios de Peerless para montantes de metal. Llame a Servicio al Cliente para pedir el juego de accesorios de Peerless para montantes de metal.
<input type="checkbox"/> Ladrillo	Comuníquese con Servicio al Cliente.
<input type="checkbox"/> ¿Otra superficie o no está seguro?	Comuníquese con Servicio al Cliente.

Herramientas necesarias para el ensamblaje

- localizador de montantes (se recomienda uno de "borde a borde")
- destornillador phillips
- taladro
- broca de 1/4" para paredes de concreto y de bloque de hormigón de escorias
- broca de 1/2" para paredes con montantes de metal
- broca de 5/32" para paredes con montantes de madera
- nivel

Accesorios

- ACC215 - Juego de accesorios de piezas para la fijación en montantes de metal (La instalación en montantes de metal no ha sido evaluada por UL)
- SCS222 - Repisa para componentes - SmartMount®

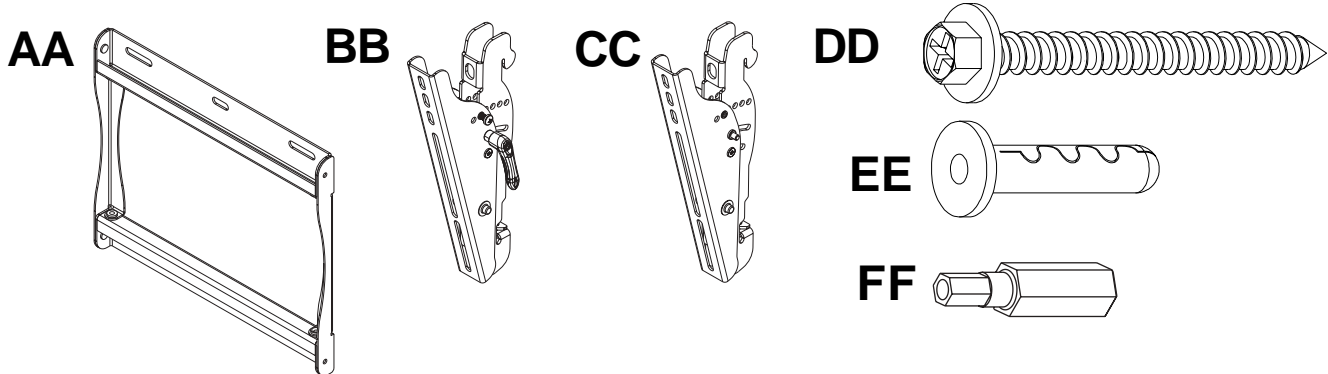
Tabla de contenido

Lista de piezas	10
Instalación en una pared con montantes de madera	11
Instalación en una pared de concreto macizo o de bloques de hormigón de escorias	12
Instalación de los soportes adaptadores	13
Instalación de la pantalla plana en la placa de pared	14

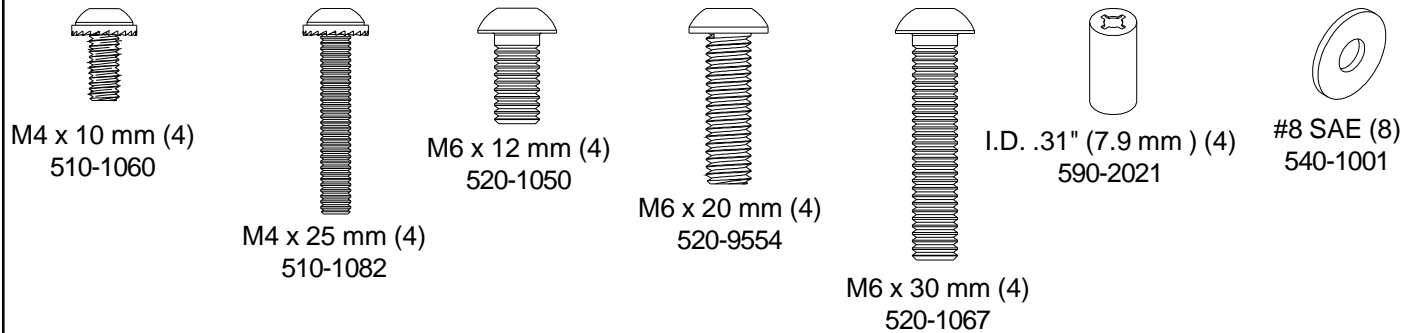
Antes de comenzar, asegúrese de que su producto contiene todas las piezas que se muestran.

Lista de piezas	Descripción	Cantidad	No Aseguradora		Aseguradora	
			ST635P Negro(a)	ST635P-S Plateado(a)	ST635 Negro(a)	ST635-S Plateado(a)
AA	placa de pared	1	201-1506	201-4506	201-1506	201-4506
CC	soporte adaptador izquierdo	1	201-1463	201-4463	201-1464	201-4464
BB	soporte adaptador derecho	1	201-1461	201-4461	201-1462	201-4462
DD	tornillo para madera de 14 x 2.5"	2	5S1-015-C03	5S1-015-C03	5S1-015-C03	5S1-015-C03
EE	anclaje alligator®	2	590-0097	590-0097	590-0097	590-0097
FF	desarmador de seguridad de 4 mm	1	no incluida	no incluida	560-1133	560-1133

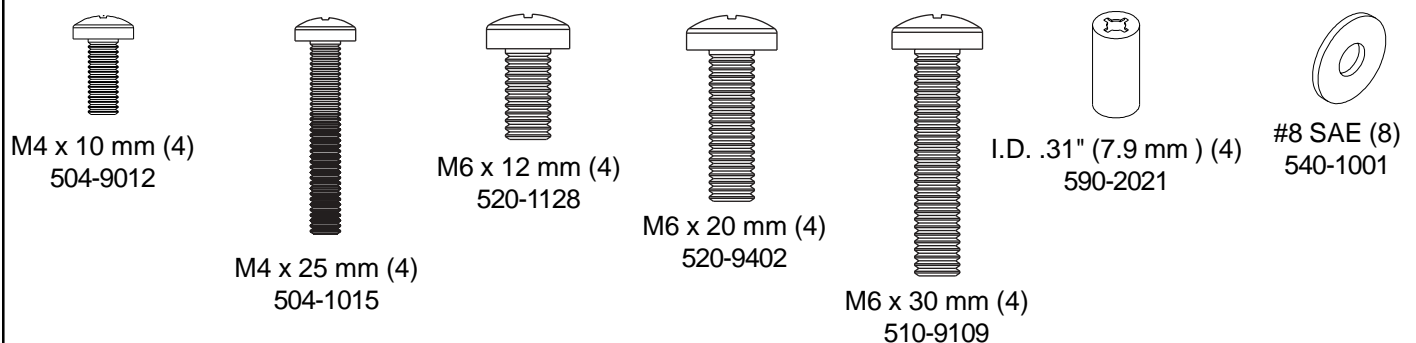
Las piezas pueden verse un poco distintas a la ilustración.



Sujetadores no aseguradores para los soportes adaptadores



Sujetadores aseguradores para los soportes adaptadores



Instalación en una pared con montantes de madera

⚠ ADVERTENCIA

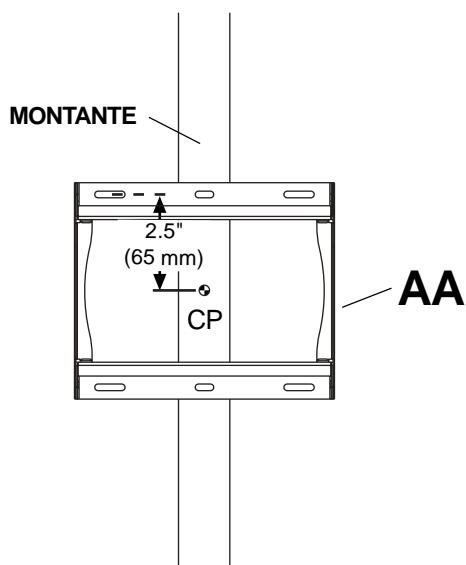
- El instalador tiene que asegurarse de que la superficie de apoyo sostendrá, con seguridad, la carga combinada del equipo y todos los fijadores y componentes.
- Apriete los tornillos de madera de manera que la placa de pared se fije firmemente, pero no en exceso. Apretarlos en exceso puede dañar los tornillos y puede disminuir significativamente su fuerza de fijación.
- Nunca apriete a más de 80 pulg-lb (9 N•m).
- Asegúrese de que los tornillos de montaje estén anclados en el centro del montante. Se recomienda utilizar un localizador de montantes de "borde a borde".
- Los accesorios para la instalación que se proveen son para fijar el soporte a montantes de madera a través de tabique de yeso-cartón o yeso de espesor estándar. Los instaladores son responsables de suministrar los accesorios necesarios para otros tipos de instalaciones.

1 Utilice un localizador de montantes para localizar los bordes de los montantes. Se recomienda utilizar un localizador de montantes de "borde a borde". Tomando los bordes como punto de referencia, trace una línea vertical por el centro de cada montante. Coloque la placa de pared contra la pared para utilizarla como plantilla. Las ranuras de montaje superiores deben estar a 2.5" (65 mm) sobre el punto donde quiere que quede el centro de la pantalla, como se muestra en la figura 1.1. Nivele la placa y marque el centro de los dos agujeros de montaje. Asegúrese de que los agujeros de montaje estén sobre las líneas que trazó por el centro de los montantes. Taladre dos agujeros de 5/32" (4 mm) de diámetro y 2-1/2" (65 mm) de profundidad. Asegúrese de que la placa esté nivelada, fíjela utilizando dos tornillos para madera de 14 x 2.5" (DD), como se muestra en la figura 1.2.

Pase al paso 2.

PRECAUCIÓN

- Si el soporte de pared no está nivelado, quedará virado cuando lo instale.



CP = CENTRO DE LA PANTALLA

fig. 1.1

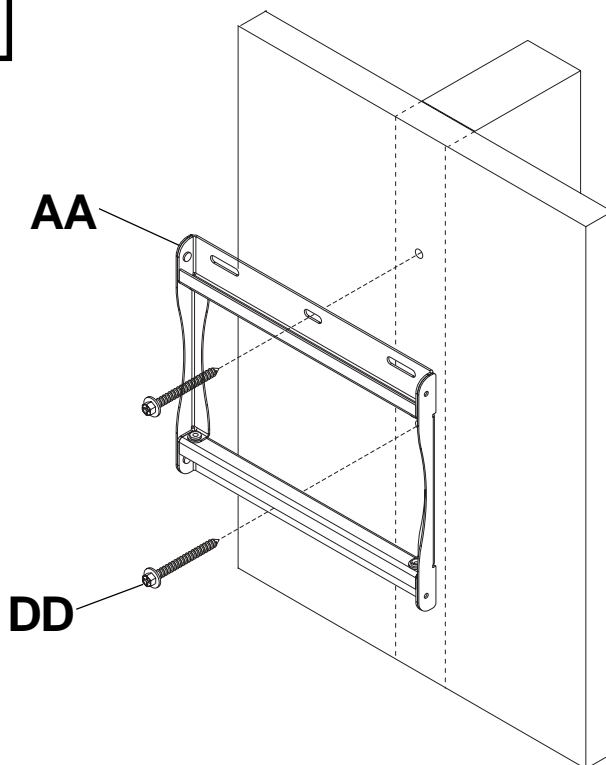


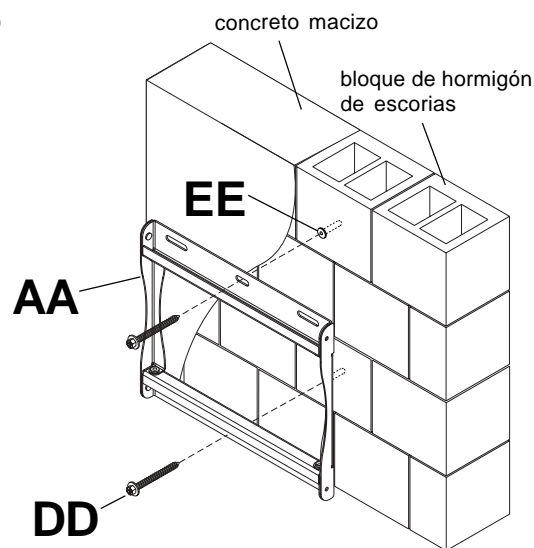
fig. 1.2

Instalación en una pared de concreto macizo o de bloques de hormigón de escorias

⚠ ADVERTENCIA

- Cuando vaya a instalar soportes de pared de Peerless en bloques de hormigón de escorias, asegúrese de que cuente con una capa de concreto de un grosor mínimo de 1-3/8" en el agujero, que pueda usar para los anclajes para concreto. ¡No taladre en juntas de argamasa! Asegúrese de hacer la instalación en la parte sólida del bloque, por lo general, a un mínimo de 1" del extremo del bloque. Los bloques de hormigón de escorias tienen que cumplir las especificaciones de la ASTM C-90. Se sugiere utilizar un taladro eléctrico convencional a baja velocidad para hacer el agujero en vez de un taladro percutor para no perforar el fondo del agujero al entrar en un vacío o una cavidad.
- El concreto tiene que tener una densidad mínima de 2,000 psi. Es posible que un concreto de menos densidad no sostenga el anclaje para concreto.
- Asegúrese de que la superficie de apoyo sostendrá, con seguridad, la carga combinada del equipo y todos los fijadores y componentes.

- 1** Asegúrese de que la placa de pared (AA) esté nivelada y utilícela como plantilla para marcar dos agujeros de montaje. El agujero de montaje superior debe estar a 2.5" (65 mm) sobre el punto donde quiere que quede el centro de la pantalla, como se muestra en la figura 1.1, de la página 4. Taladre dos agujeros de 1/4" (6 mm) de diámetro a una profundidad mínima de 2.5" (65 mm). Inserte los anclajes (EE) en los agujeros a ras con la pared, como se muestra (a la derecha). Coloque la placa de pared sobre los anclajes y fíjela con dos tornillos de 14 x 2.5" (DD). Nivele y apriete todos los sujetadores.

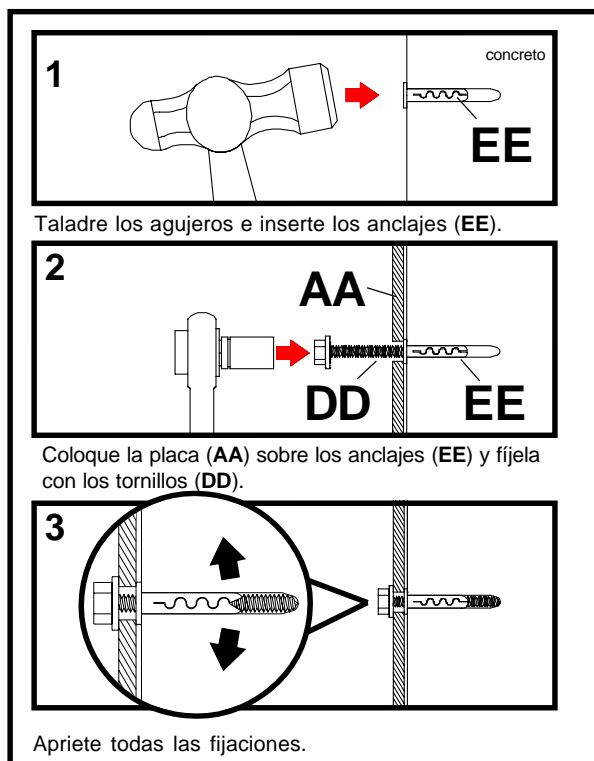
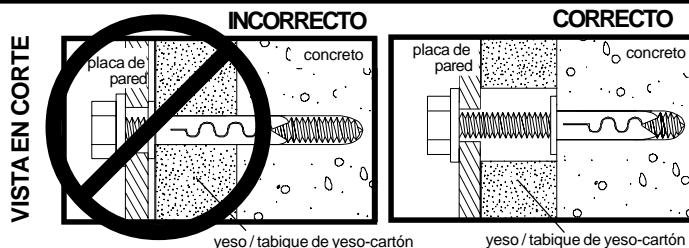


⚠ ADVERTENCIA

- Apriete los tornillos de manera que la placa de pared se fije firmemente, pero no en exceso. Apretarlos en exceso puede dañar los tornillos y puede disminuir significativamente su fuerza de fijación.
- Nunca apriete a más de 80 pulg-lb (9 N•m).

⚠ ADVERTENCIA

- Siempre fije los anclajes para concreto directamente en la pared que sostiene la carga.
- Nunca fije los anclajes para concreto a una pared de concreto recubierta con yeso, tabique de yeso-cartón u otro material de acabado. Si es inevitable hacer la instalación en una superficie de concreto recubierta con una superficie de acabado, la superficie de acabado tiene que ser escurrida, como se muestra abajo. Asegúrese de que los anclajes para concreto no se separen del concreto cuando apriete los tornillos. Si el grosor de la capa de yeso o tabique de yeso-cartón tiene un grosor mayor de 5/8", el instalador tiene que suministrar las fijaciones especiales.



⚠ ADVERTENCIA

- Si no se les da tres vueltas completas a los tornillos en los insertos de la pantalla o si los tornillos topan fondo y el soporte todavía no está firme, se podría dañar la pantalla o el producto podría no funcionar bien.

2 Para no rayar la pantalla, coloque un trapo sobre una superficie plana y nivelada que sostenga el peso de la pantalla. Coloque la pantalla boca abajo. Coloque los soportes adaptadores (**BB** y **CC**) y alinéelos en la parte trasera de la pantalla, de acuerdo con la configuración de agujeros de VESA®, como se muestra en la ilustración 2.1. Para recibir más información de la compatibilidad de las pantallas, consulte la lista de interface de LCD de nuestra página Web: www.peerlessmounts.com.

Nota: Si los agujeros de montaje no están centralizados en la parte trasera de la pantalla, centralice los soportes en la parte trasera de la pantalla como se muestra en la figura 2.2.

Encuentre la configuración de agujeros de VESA® abajo y fije los soportes en la pantalla como corresponda. Verifique que todos los agujeros estén debidamente alineados y luego apriete los tornillos utilizando un desarmador de seguridad (**FF**).

EN EL CASO DE LA CONFIGURACIÓN DE MONTAJE VESA® 75:

Fije los soportes adaptadores (**BB** y **CC**) en la parte trasera de la pantalla utilizando cuatro tornillos de M4 x 10 mm y cuatro arandelas superiores N.º 8 SAE, como se muestra en la figura 2.3.

***Nota:** Si la configuración de agujeros está en una cavidad, fije los soportes adaptadores (**BB** y **CC**) en la parte trasera de la pantalla utilizando cuatro tornillos de M4 x 25 mm, ocho arandelas superiores e inferiores N.º 8 SAE y cuatro espaciadores de retención, como se muestra abajo.

EN EL CASO DE LA CONFIGURACIÓN DE MONTAJE VESA® 100:

Fije los soportes adaptadores (**BB** y **CC**) en la parte trasera de la pantalla utilizando cuatro tornillos de M4 x 10 mm y cuatro arandelas superiores N.º 8 SAE, como se muestra en la figura 2.3.

***Nota:** Si la configuración de agujeros está en una cavidad, fije los soportes adaptadores (**BB** y **CC**) en la parte trasera de la pantalla utilizando cuatro tornillos de M4 x 25 mm, ocho arandelas superiores e inferiores N.º 8 SAE y cuatro espaciadores de retención, como se muestra abajo.

EN EL CASO DE LA CONFIGURACIÓN DE MONTAJE VESA® 200:

Fije los soportes adaptadores (**BB** y **CC**) en la parte trasera de la pantalla utilizando cuatro tornillos de M4 x 10 mm y cuatro arandelas superiores N.º 8 SAE, como se muestra en la figura 2.3.

***Nota:** Si los tornillos de M4 x 10 mm enroscan menos de tres vueltas, fije los soportes adaptadores (**BB** y **CC**) en la parte trasera de la pantalla utilizando cuatro tornillos de M4 x 25 mm, ocho arandelas superiores e inferiores N.º 8 SAE y cuatro espaciadores de retención, como se muestra abajo.

EN EL CASO DE LA CONFIGURACIÓN DE MONTAJE VESA® 200 x 200:

Fije los soportes adaptadores (**BB** y **CC**) en la parte trasera de la pantalla utilizando cuatro tornillos de M6 x 12 mm, como se muestra en la figura 2.3.

***Nota:** Si los tornillos de M6 x 12 mm enrosca menos de tres vueltas, fije los soportes adaptadores (**BB** y **CC**) en la parte trasera de la pantalla utilizando cuatro tornillos de M6 x 20 mm, como se muestra abajo. Si los tornillos de M6 x 12 mm enroscan menos de tres vueltas, fije los soportes adaptadores (**BB** y **CC**) en la parte trasera de la pantalla utilizando cuatro tornillos de M6 x 30 mm, como se muestra abajo.

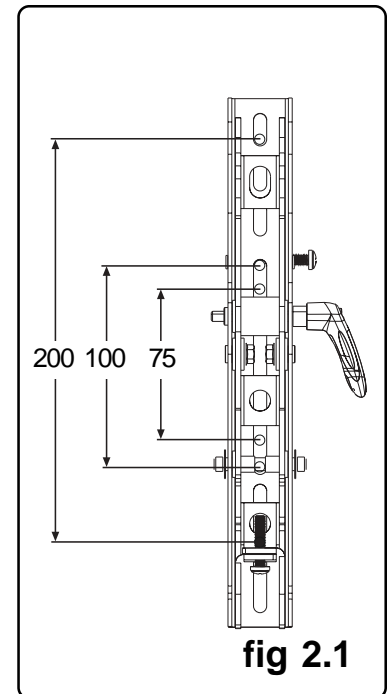


fig 2.1

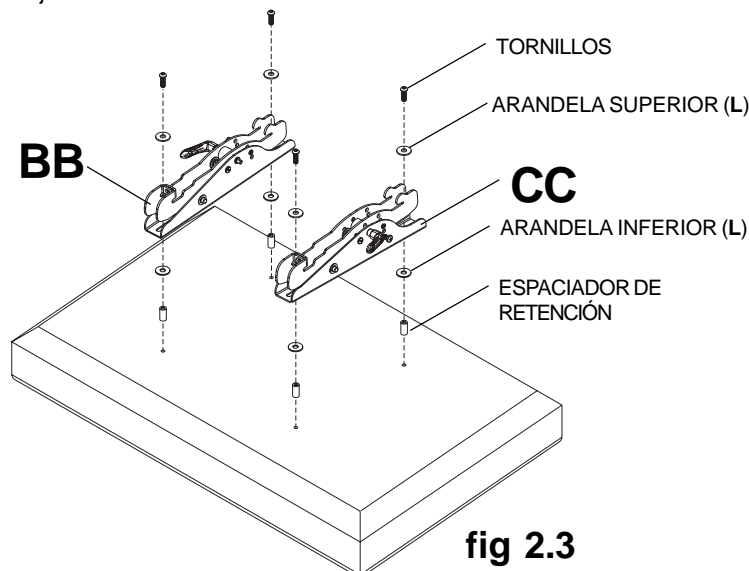
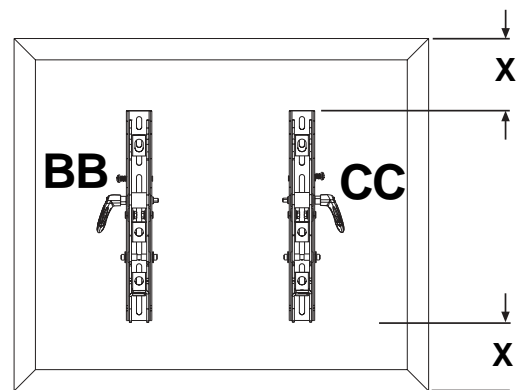


fig 2.3



Nota: Las dimensiones "X" deben ser iguales.

fig 2.2

⚠ ADVERTENCIA

- Siempre cuente con un asistente o con un equipo mecánico de izar para levantar y colocar los televisores de pantalla plana con más seguridad.
- No apriete los tornillos con fuerza excesiva. Apretarlos en exceso puede dañar el soporte. Apriete los tornillos a un máximo de 40 pulg-lb (4.5 N•m) de par torsor.
- Tenga cuidado de no pincharse los dedos cuando empuje la pantalla por la parte inferior.

3 Ajuste tensor de la palanca de trinquete: Ajuste la tensión de los soportes inclinables (BB y CC) rotando la palanca de trinquete. **NOTA:** Si una obstrucción le impide rotar la palanca de trinquete, puede tirar de la palanca hacia fuera a la vez que le da vuelta para poder colocarla en otra posición sin apretar los soportes. Al dejar de tirar la palanca hacia fuera, la misma se volverá a pegar del televisor en la posición que permite apretar o aflojar los soportes.

Instalar la pantalla: La palanca de trinquete tiene que estar en la posición hacia arriba o hacia abajo o estorbará cuando enganche los soportes adaptadores a la placa de pared (AA). Enganche los soportes adaptadores (BB y CC) lentamente a la placa de pared (AA) y gire la pantalla hacia abajo, como se muestra en la figura 3.1. Los ganchos de los soportes adaptadores tienen que entrar completamente en la placa de pared, como se muestra en el detalle 1. Usando un destornillador o desarmador de seguridad phillips (FF), déles vuelta los tornillos de seguridad de los soportes adaptadores (BB y CC) en el sentido del movimiento de las manecillas del reloj hasta que la punta del tornillo toque firmemente la placa de pared, como se muestra en la sección transversal.

Ajuste de la pantalla: La pantalla se puede ajustar horizontalmente aflojando los tornillos de seguridad de los soportes adaptadores (BB y CC) tres vueltas completas. Ajuste la pantalla, como se muestra en la figura 3.2. Apriete los tornillos de seguridad de los soportes adaptadores hasta que la punta de los tornillos toque firmemente la placa de pared, como se muestra en la sección transversal.

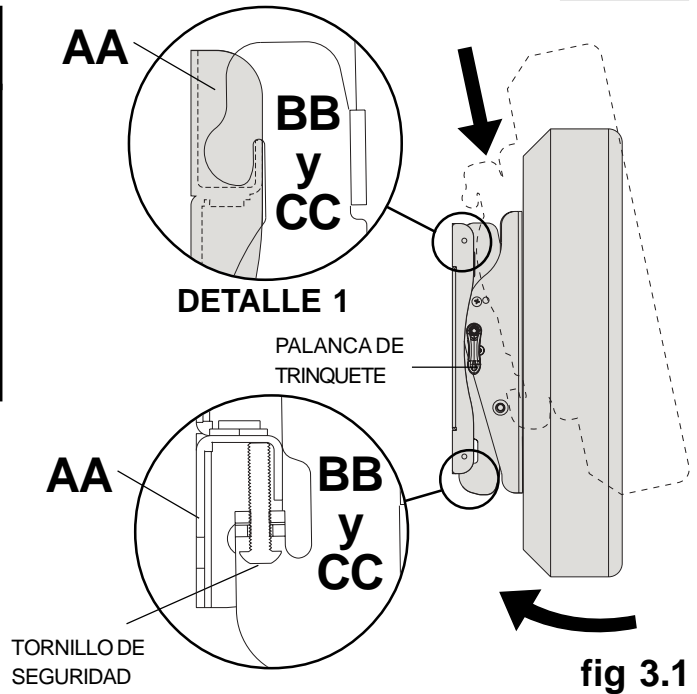
Quitar la pantalla: Para quitar la pantalla del soporte, afloje los tornillos de seguridad, gire la pantalla retirándola del soporte y levántela para sacarla del soporte.

Ajustar el ángulo de inclinación de la pantalla

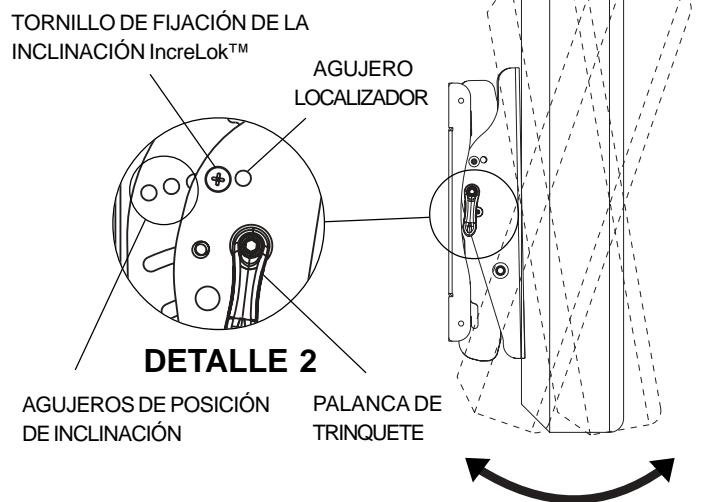
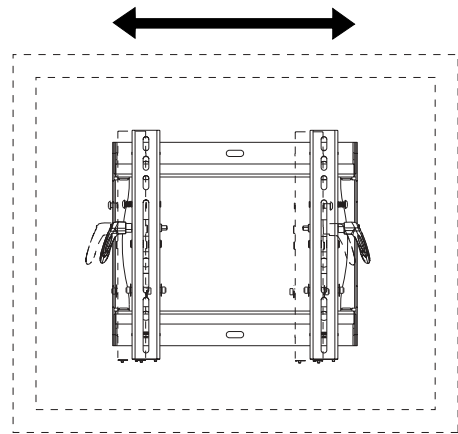
4 Para colocar la pantalla en ángulos de inclinación predeterminados, utilice la función de IncreLok™; para ajustar la inclinación como guste, utilice la palanca de trinquete.

INCRELOK™: La pantalla se puede ajustar a ángulos de inclinación predeterminados de -5°, 0°, 5°, 10° ó 15°. Use el agujero localizador para encontrar el agujero de inclinación e incline la pantalla para alinear los agujeros. Apriete los tornillos de fijación de la inclinación IncreLok™ de ambos soportes adaptadores para fijar la inclinación, como se muestra en el detalle 2.

Palanca de trinquete: Afloje la palanca de trinquete (vea al paso 3 para aprender sobre el ajuste tensor de la palanca). Mueva la parte superior o la parte inferior de la pantalla tirando de la misma o empujándola para ajustar la inclinación, como se muestra en la figura 4.1. La inclinación se puede ajustar hasta un máximo de 15° hacia delante o de 5° hacia atrás.



SECCIÓN TRANSVERSAL



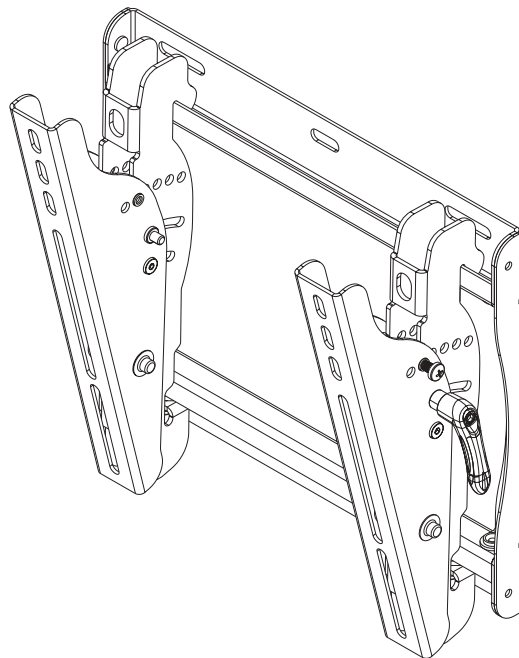
Installation et montage :

Support mural plat universel Smartmount® pour écrans plats de 13 à 37 po

Modèles: ST635, ST635-S, ST635P, ST635P-S



Ce produit est homologué UL. Il doit être installé par un installateur professionnel qualifié.



Caractéristiques :

Capacité de charge UL maximale: 125 lb (57 kg)

- Pour pratiquement tous les écrans plats de 13 à 37 po
- Le support universel est adapté aux écrans avec configuration de trous de montage de 9,6 po de large x 9,5 po de hauteur
- Écran maintenu à 2,6 po seulement du mur pour une installation discrète
- La conception de la plaque murale ouverte permet un meilleur accès au mur et des options de gestion du câblage plus nombreuses
- Les supports inclinables universels s'accrochent facilement à la plaque murale pour une installation rapide
- Réglable jusqu'à 15° pour l'inclinaison vers l'avant et jusqu'à -5° pour l'inclinaison vers l'arrière pour un angle de vue optimal
- Inclinaison instantanée pour un réglage sans effort
- La poignée à verrouillage facile verrouille l'écran en position sans besoin d'outils
- La fonction IncreLok en option permet une inclinaison pré-réglée par incréments de -5, 0, 5, 10 et 15°.
- Inclut un jeu de fixations Sorted-For-You™ pour l'installation sur des montants en bois, du béton ou du bloc de béton
- Réglage horizontal en option jusqu'à 8 po (en fonction du modèle d'écran) pour un positionnement parfait de l'écran
- Disponible en noir ou en argent

⚠ AVERTISSEMENT

- Ne commencez pas à installer votre produit Peerless avant d'avoir lu et assimilé les instructions et les mises en garde contenues dans cette fiche d'installation. Pour toute question concernant les instructions ou les mises en garde, appelez le service à la clientèle de Peerless au 1-800-865-2112.
- Ce produit ne doit être installé que par une personne ayant de bonnes aptitudes en mécanique, expérimentée en travaux de construction élémentaires, et démontrant une parfaite compréhension de ces instructions.
- Assurez-vous que la surface de support pourra soutenir sans danger la charge combinée de l'équipement, de toute sa visserie et de tous ses composants.
- Ne dépassez jamais la capacité de charge maximum établie par l'UL. Reportez-vous à la page 15.
- Si vous effectuez le montage sur un mur à montants en bois, assurez-vous que les vis de montage sont ancrées au centre des montants. L'usage d'un localisateur « bord à bord » est fortement conseillé.
- Pour lever et positionner l'équipement en toute sécurité, faites-vous toujours aider par une autre personne ou utilisez un matériel de levage mécanique.
- Serrez fermement les vis, mais sans excès. Un serrage excessif peut endommager les éléments et en réduire considérablement le pouvoir de maintien.
- Ce produit a été conçu et prévu pour être monté sur les surface de support mentionnées ci-après ; la visserie incluse dans ce produit est celle spécifiée sur la fiche d'installation. Pour monter ce produit sur une autre surface de support, adressez-vous au service clientèle de Peerless au 1-800-865-2112.
- Ce produit a été conçu pour être installé sur le type de mur suivant uniquement :

TYPE DE MUR

VISSERIE SUPPLÉMENTAIRE REQUISE

<input checked="" type="checkbox"/> Montant en bois	Aucune
<input checked="" type="checkbox"/> Poutre en bois	Aucune
<input checked="" type="checkbox"/> Béton plein	Aucune
<input checked="" type="checkbox"/> Bloc de béton de mâchefer	Aucune
<input type="checkbox"/> Montant métallique	Ne fixer qu'avec le kit d'accessoires Peerless pour montants métalliques Adressez-vous au service clientèle pour vous procurer le kit d'accessoires Peerless pour montants métalliques.
<input type="checkbox"/> Brique	Adressez-vous au service clientèle
<input type="checkbox"/> Autre, ou vous n'êtes pas sûr ?	Adressez-vous au service clientèle

Outils nécessaires au montage

- localisateur de montants (un localisateur de montants « bord à bord » est recommandé.)
- tournevis cruciforme
- perceuse
- foret de ¼ po pour les murs en béton et en bloc de béton
- foret de 1/2 po pour les murs à montants métalliques
- foret de 5/32 po pour les murs à montants en bois
- niveau

Accessories

- ACC215 – Jeu de fixations pour montants métalliques (installation du montant métallique non évaluée aux normes UL)
- SCS211 – Étagère audio-vidéo SmartMount®

Table des matières

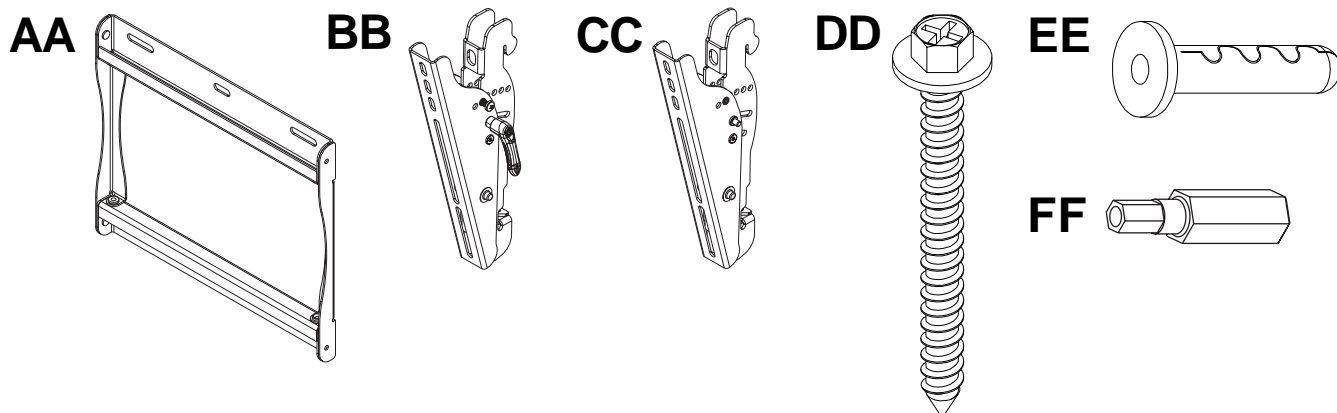
Liste des pièces	17
Installation sur des murs à montants en bois	18
Installation sur du béton plein ou du bloc de béton	19
Installation des supports adaptateurs	20
Installation de l'écran plat sur la plaque murale	21

Avant de commencer, veuillez à ce que toutes les pièces énumérées soient incluses.

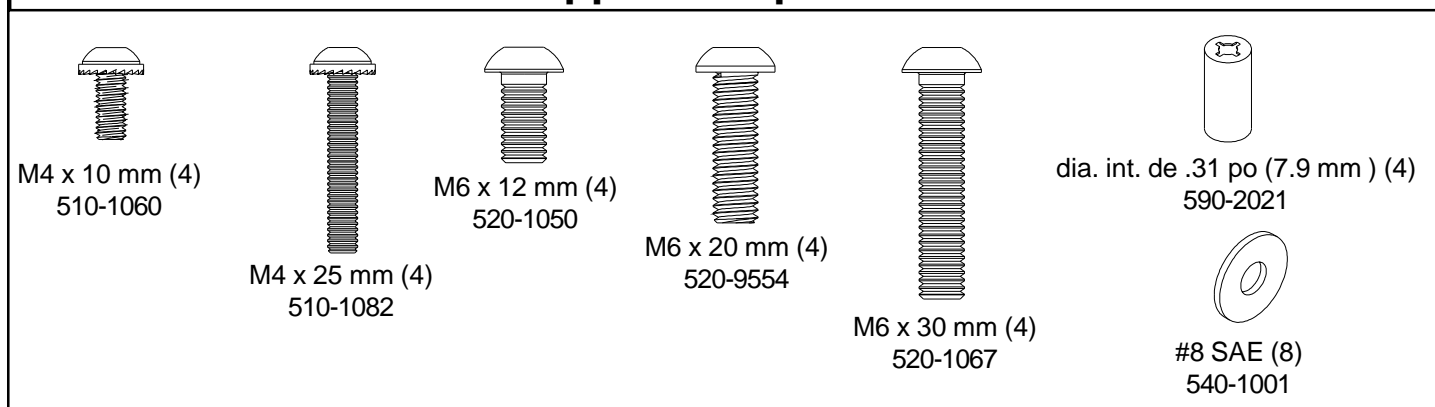
Liste des pièces

Description	Qté	Sans sécurité		Sécurité	
		ST635P Noir	ST635P-S Argent	ST635 Noir	ST635-S Argent
AA plaque murale	1	201-1506	201-4506	201-1506	201-4506
BB support adaptateur gauche	1	201-1463	201-4463	201-1464	201-4464
CC support adaptateur droit	1	201-1461	201-4461	201-1462	201-4462
DD vis à bois no 14 x 2,5 po	2	5S1-015-C03	5S1-015-C03	5S1-015-C03	5S1-015-C03
EE ancrage Alligator®	2	590-0097	590-0097	590-0097	590-0097
FF tournevis de sécurité de 4 mm	1	non incluse	non incluse	560-1133	560-1133

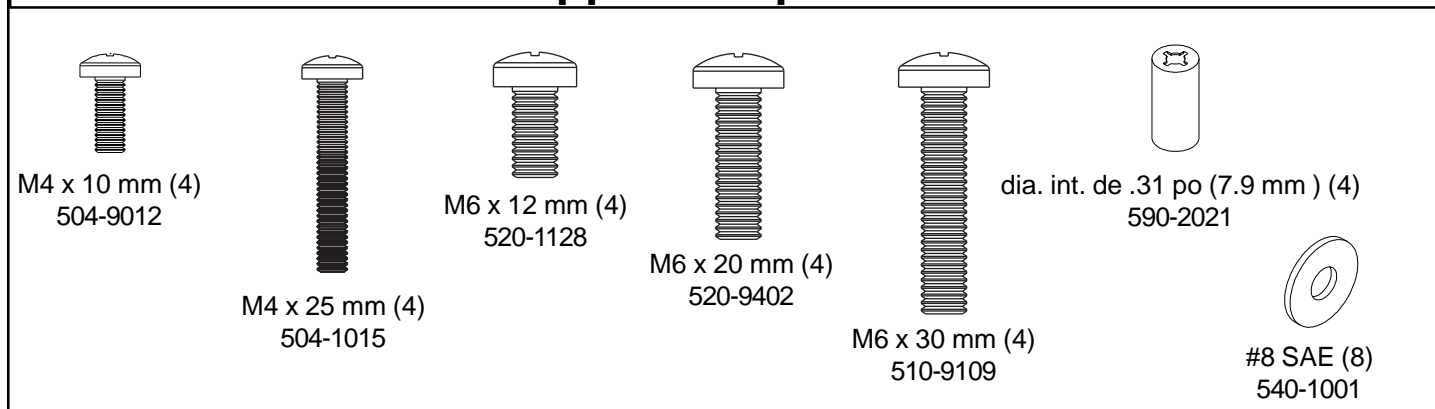
Les pièces peuvent différer légèrement de l'illustration.



Fixations du support adaptateur sans sécurité



Fixations du support adaptateur avec sécurité

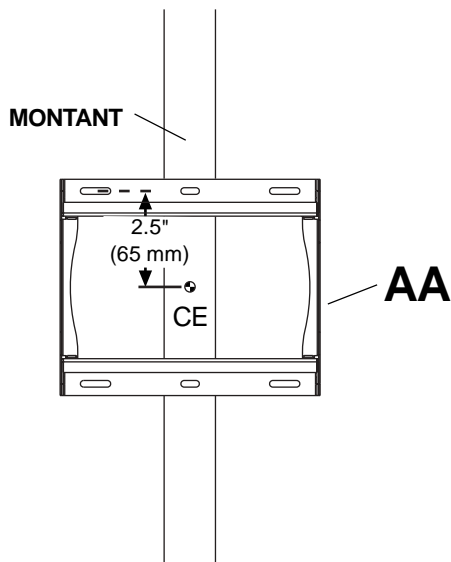


⚠ AVERTISSEMENT

- L'installateur doit s'assurer que la surface de support pourra soutenir sans danger la charge combinée de l'équipement, de toute sa visserie et de tous ses composants.
- Serrez les vis à bois de manière que la plaque murale soit fermement fixée, mais sans excès. Un serrage excessif peut endommager les vis et en réduire considérablement le pouvoir de maintien.
- Ne serrez jamais à plus de 9 Nm (80 po-lb).
- Assurez-vous que les vis de montage sont ancrées au centre des montants. L'usage d'un localisateur de montants « bord à bord » est fortement conseillé.
- La visserie est fournie pour fixer la monture à travers une cloison sèche ou du plâtre d'épaisseur standard et dans des montants en bois. Il appartient aux installateurs de fournir la visserie nécessaire pour d'autres types de situations.

- 1** Repérez le bord des montants à l'aide d'un localisateur de montants. L'utilisation d'un localisateur de montants « bord à bord » est fortement recommandée. Après avoir repéré les bords, tracez une ligne verticale le long du centre de chaque montant. Posez la plaque murale sur le mur et utilisez-la comme gabarit. Les fentes de montage supérieures doivent être situées à 2,5 po (65 mm) au-dessus de l'endroit souhaité pour le centre de l'écran comme illustré à la figure 1.1. Mettez la plaque à niveau et marquez le centre des deux trous de fixation. Veillez à ce que les trous de fixation soient sur la ligne médiane du montant. Percez deux trous de 5/32 po (4 mm) de dia. et de 2-1/2 po (65 mm) de profondeur. Veillez à ce que la plaque murale soit de niveau et fixez-la à l'aide de deux vis à bois n° 14 x 2,5 po (DD) comme illustré à la figure 1.2.

Passez à l'étape 2.



CE = centre de l'écran

fig. 1.1

MISE EN GARDE

- Si le support mural n'est pas à niveau, il ne sera pas droit lors du montage.

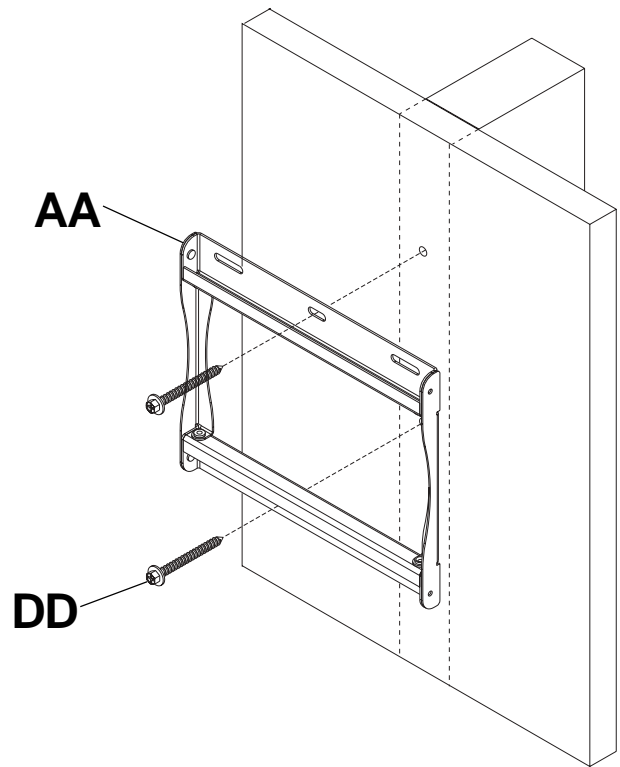
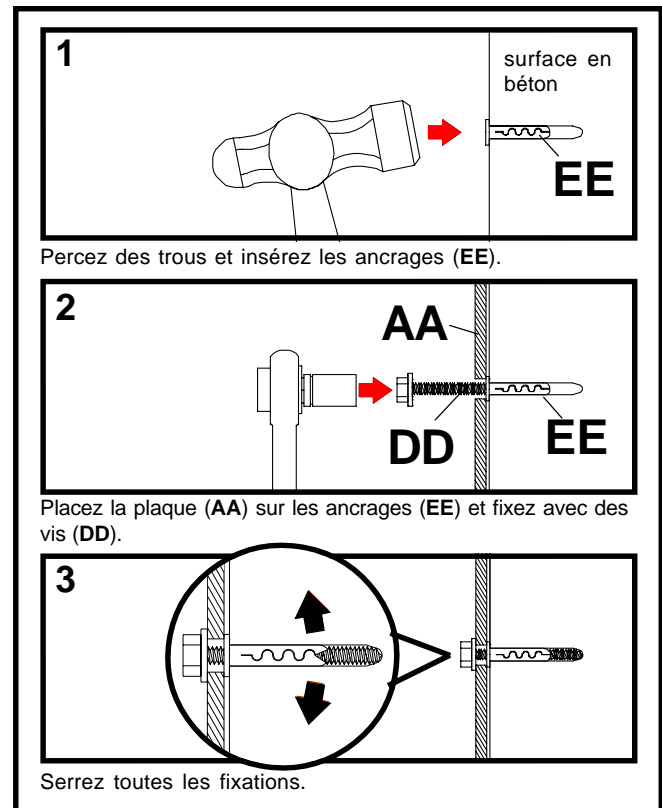


fig. 1.2

⚠ AVERTISSEMENT

- Si vous installez des montures murales Peerless sur un bloc de béton de mâchefer, vérifiez que vous disposez d'une épaisseur de béton d'au moins 3,4 cm (1 3/8 po) dans le trou destiné aux ancrages de béton. Ne percez pas dans les joints de mortier ! Veillez à effectuer le montage dans une partie pleine du bloc, généralement à au moins 2,5 cm (1 po) du côté du bloc. Le bloc de béton de mâchefer doit être conforme aux spécifications de l'ASTM C-90. Pour percer le trou, il est conseillé d'utiliser une perceuse électrique standard sur un réglage bas au lieu d'un marteau perforateur, afin d'éviter de briser la partie arrière du trou lorsque vous pénétrez un vide ou une cavité.
- Le béton doit avoir une densité minimum de 2 000 psi. Un béton de densité moindre risquerait de ne pas retenir un ancrage de béton.
- Assurez-vous que la surface de support pourra soutenir sans danger la charge combinée de l'équipement, de toute sa visserie et de tous ses composants.

1 Assurez-vous que la plaque murale (AA) est de niveau et utilisez-la comme gabarit pour marquer l'emplacement des deux trous de fixation. Le trou de montage supérieur doit être situé à 2,5 po (65 mm) au-dessus de l'endroit souhaité pour le centre de l'écran comme illustré à la fig. 1.1 en page 4. Percez deux trous de 1/4 po (6 mm) de dia. à une profondeur minimale de 2,5 po (65 mm). Insérez les chevilles d'ancrage (EE) dans les trous au ras du mur comme illustré (à droite). Posez la plaque murale sur les chevilles d'ancrage et attachez-la à l'aide de deux vis n° 14 x 2,5 po (DD). Assurez-vous qu'elle est de niveau, puis serrez toutes les fixations.

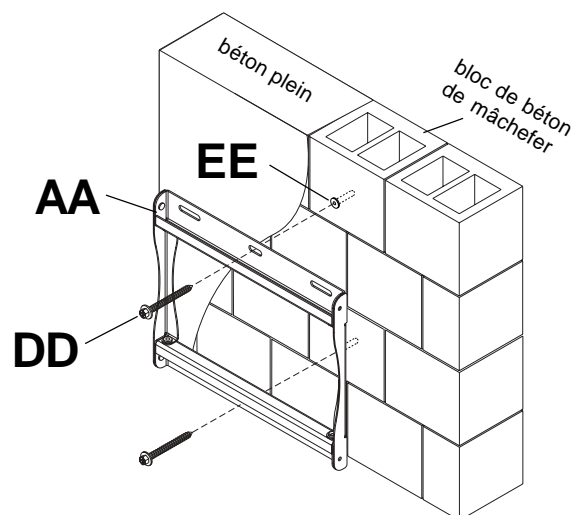
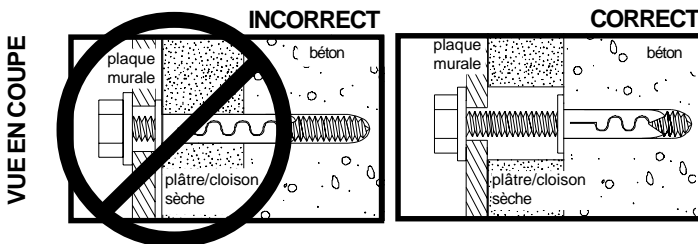


⚠ AVERTISSEMENT

- Serrez les vis de manière que la plaque murale soit fermement fixée, mais sans excès. Un serrage excessif peut endommager les vis et en réduire considérablement le pouvoir de maintien.
- Ne serrez jamais à plus de 9 Nm (80 po-lb).

⚠ AVERTISSEMENT

- Fixez toujours des ancrages de béton directement sur du béton porteur.
- Ne fixez jamais d'ancrages sur du béton recouvert de plâtre, une cloison sèche ou autre matériau de finition. Si vous ne pouvez pas éviter d'effectuer le montage sur une surface de finition, celle-ci doit être chambrée, comme indiqué ci-dessous. Assurez-vous que les ancrages de béton ne se séparent pas du béton lorsque vous serrez les vis. Si l'épaisseur du plâtre / de la cloison sèche dépasse 1,5 cm (5/8 po), des fixations adaptées devront être fournies par l'installateur.



⚠ AVERTISSEMENT

- Si les vis ne sont pas enfoncées de trois tours complets dans les inserts ou si elles sont serrées au maximum sans parvenir à fixer solidement le support, l'écran peut être abîmé ou le produit détérioré.

2 Afin d'éviter de rayer l'écran, posez un morceau de tissu sur une surface plane et de niveau qui peut supporter le poids de l'écran. Déposez l'écran à plat, tourné vers le bas. Placez et alignez les supports adaptateurs (**BB** et **CC**) au dos de l'écran sur la configuration de trous VESA comme illustré à la fig. 2.1. Pour obtenir plus d'informations concernant la compatibilité avec l'écran, consultez la liste concernant les interfaces ACL sur notre site Web www.peerlessmounts.com.

Remarque : Si les trous de montage ne sont pas centrés au dos de l'écran, centrez-les comme illustré à la fig. 2.2.

Trouvez la configuration des trous VESA® ci-dessous et attachez les supports à l'écran en conséquence. Veillez à ce que tous les trous soient bien alignés, puis serrez les vis à l'aide du tournevis de sécurité (**FF**).

POUR LA CONFIGURATION DE MONTAGE VESA 75 :

Attachez les supports adaptateurs (**BB** et **CC**) au dos de l'écran à l'aide de quatre vis M4 x 10 mm et de quatre rondelles supérieures SAE n° 8 comme illustré à la figure 2.3.

***Remarque :** Si la configuration des trous est dans un creux, attachez les supports adaptateurs (**BB** et **CC**) au dos de l'écran à l'aide de quatre vis M4 x 25 mm, huit rondelles supérieures et inférieures SAE n° 8 et quatre entretoises de retenue comme indiqué ci-dessous.

POUR LA CONFIGURATION DE MONTAGE VESA 100 :

Attachez les supports adaptateurs (**BB** et **CC**) au dos de l'écran à l'aide de quatre vis M4 x 10 mm et de quatre rondelles supérieures SAE n° 8 comme illustré à la figure 2.3.

POUR LA CONFIGURATION DE MONTAGE VESA 200 :

Attachez les supports adaptateurs (**BB** et **CC**) au dos de l'écran à l'aide de quatre vis M4 x 10 mm et de quatre rondelles supérieures SAE n° 8 comme illustré à la figure 2.3.

***Remarque :** Si les vis M4 x 10 mm ne se vissent pas sur au moins trois filetages, attachez les supports adaptateurs (**BB** et **CC**) au dos de l'écran à l'aide de quatre vis M4 x 25 mm, huit rondelles supérieures et inférieures SAE n° 8 et quatre entretoises de retenue comme indiqué ci-dessous.

POUR LA CONFIGURATION DE MONTAGE VESA 200 x 200 :

Attachez les supports adaptateurs (**BB** et **CC**) au dos de l'écran à l'aide de quatre vis M6 x 12 mm comme illustré à la figure 2.3.

***Remarque :** Si la vis M6 x 12 mm ne se visse pas sur au moins trois filetages, attachez les supports adaptateurs (**BB** et **CC**) au dos de l'écran à l'aide de quatre vis M6 x 20 mm comme indiqué ci-dessous.

Si les vis M6 x 20 mm ne se vissent pas sur au moins trois filetages, attachez les supports adaptateurs (**BB** et **CC**) au dos de l'écran à l'aide de quatre vis M6 x 30 mm comme indiqué ci-dessous.

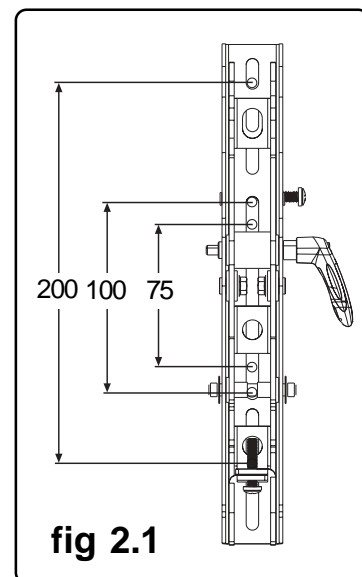


fig 2.1

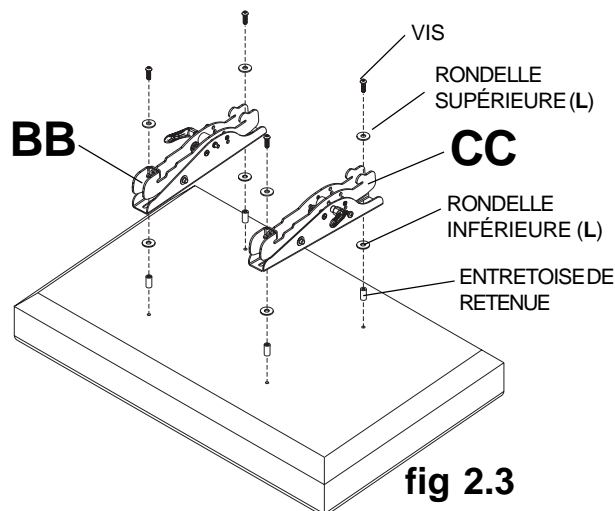
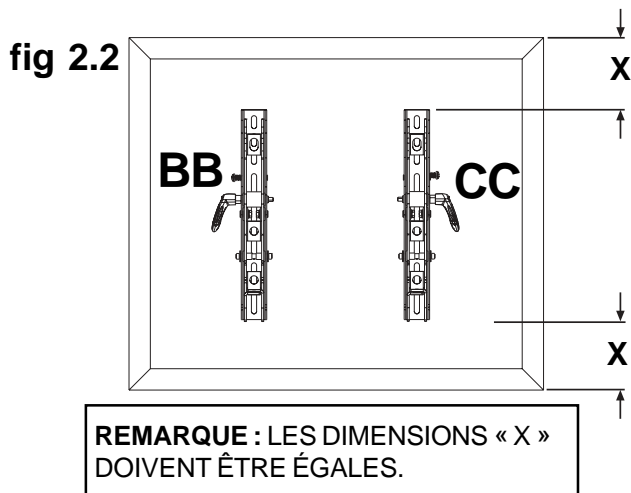


fig 2.3

⚠ AVERTISSEMENT

- Pour lever et positionner l'écran plat en toute sécurité, faites-vous toujours aider par une autre personne ou utilisez un dispositif de levage mécanique.
- N'exercez pas une force excessive sur les vis. Un serrage excessif peut endommager le support. Serrez les vis à un couple maximal de 40 po-lb (4,5 Nm).
- Veillez à ne pas vous pincer les doigts lorsque vous poussez l'écran par le bas.

3 Réglage de la tension de la poignée à cliquet : Réglez la tension des supports inclinables (**BB** et **CC**) en tournant la poignée à cliquet. **REMARQUE :** Si une obstruction empêche la poignée à cliquet de tourner, retirez la poignée tout en tournant pour la repositionner sans serrer. Relâchez et tournez la poignée pour serrer ou desserrer.

Montage de l'écran : La clé à cliquet doit être en position horizontale ou verticale, sinon elle gênera l'installation des supports adaptateurs à la plaque murale (**AA**). Accrochez lentement les supports adaptateurs (**BB** et **CC**) à la plaque murale (**AA**) et faites pivoter l'écran vers le bas comme illustré à la fig. 3.1. Les crochets des supports adaptateurs doivent être complètement engagés dans la plaque murale comme illustré dans le dessin de détail 1. À l'aide d'un tournevis Phillips ou de sécurité (**FF**), vissez les vis de sûreté/sécurité dans les supports adaptateurs (**BB** et **CC**) dans le sens des aiguilles d'une montre jusqu'à ce que la pointe des vis soit solidement appuyée contre la plaque murale comme illustré dans la vue en coupe.

Réglage de l'écran : L'écran peut être réglé horizontalement en desserrant les vis de sûreté/sécurité des supports adaptateurs (**BB** et **CC**) de trois tours complets. Réglez l'écran comme illustré à la figure 3.2. Serrez les vis de sûreté/sécurité des supports adaptateurs jusqu'à ce que la pointe des vis soit solidement appuyée contre la plaque murale comme illustré dans la vue en coupe.

Réglage de l'inclinaison de l'écran plat

4 Pour les angles d'inclinaison pré-réglés, utilisez la fonction InceLok™ et pour les angles d'inclinaison sur mesure, utilisez la poignée à cliquet.

INCELOK™ : L'écran peut être verrouillé dans une position d'inclinaison pré-réglée de -5, 0, 5, 10 ou 15°. Utilisez le trou de positionnement pour trouver le trou d'inclinaison et inclinez l'écran pour aligner les trous. Serrez les vis de blocage de l'inclinaison InceLok™ sur les deux supports adaptateurs pour bloquer l'angle d'inclinaison comme illustré le dessin de détail 2.

Poignée à cliquet : Desserrez la poignée à cliquet (voir l'étape 3 pour le réglage de la tension de la poignée). Poussez ou tirez depuis le haut ou le bas de l'écran pour régler l'inclinaison comme illustré à la figure 4.1. L'inclinaison peut être réglée à un maximum de 15° vers l'avant ou 5° vers l'arrière.

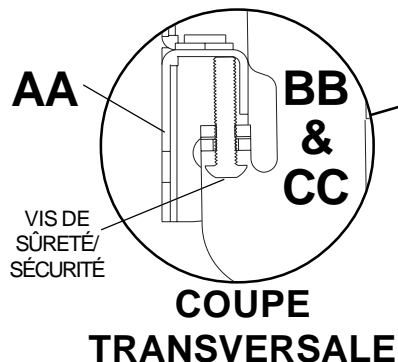
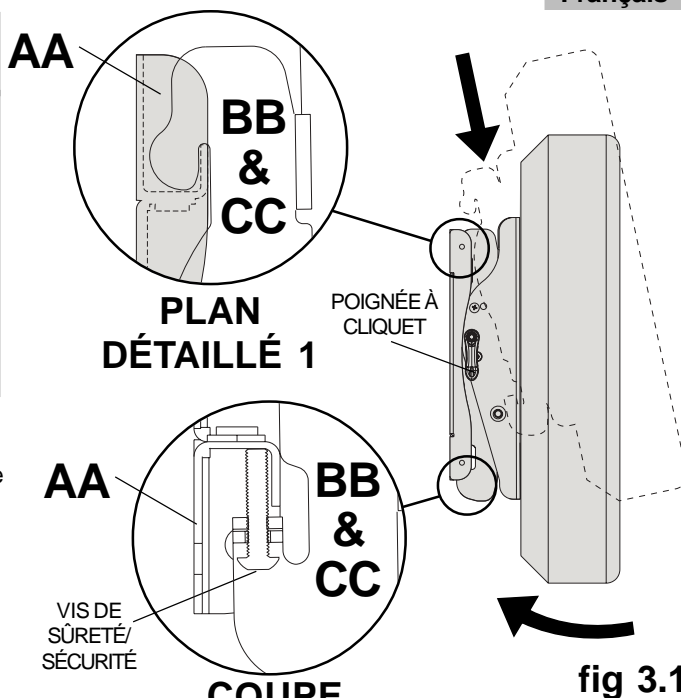


fig 3.1
COUPE TRANSVERSALE

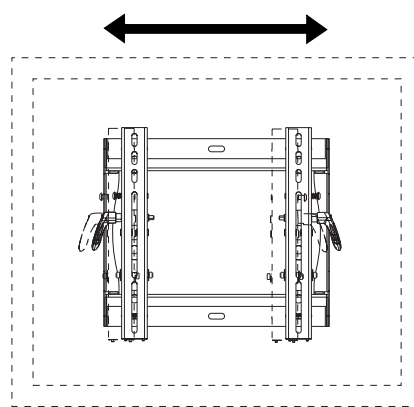


fig 3.2

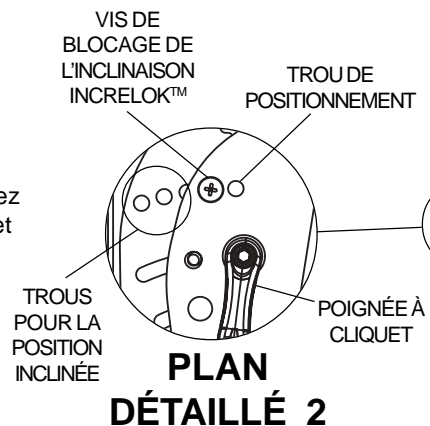
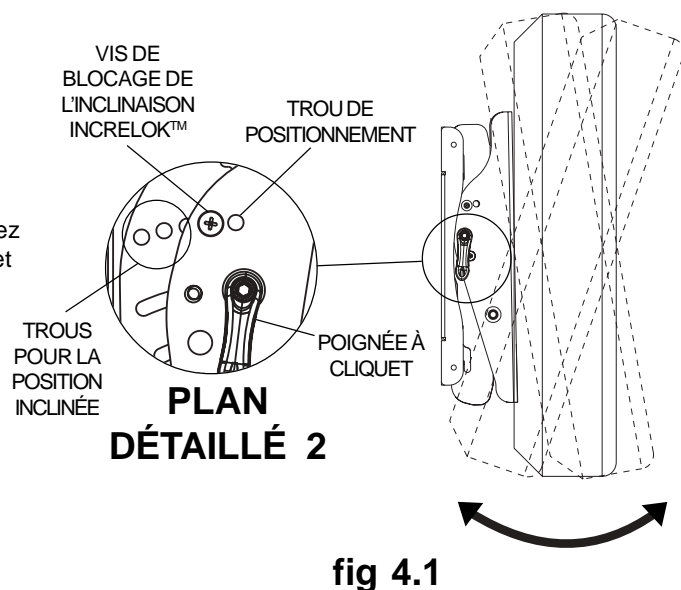


fig 4.1