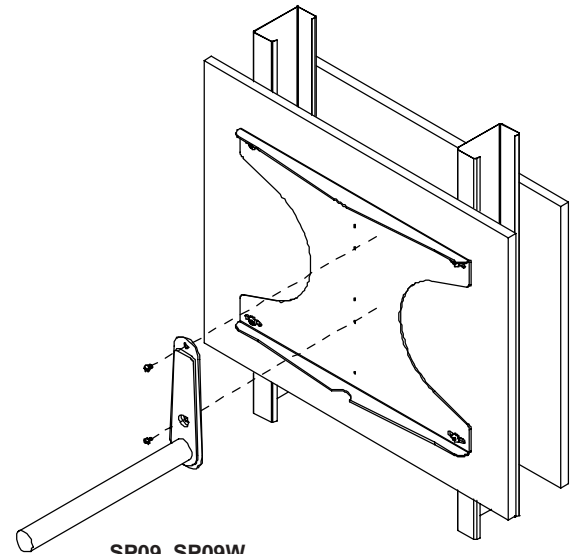


1/4-20 x 1/4"
phillips screw

PM13, PM13W,
PM20, PM20W

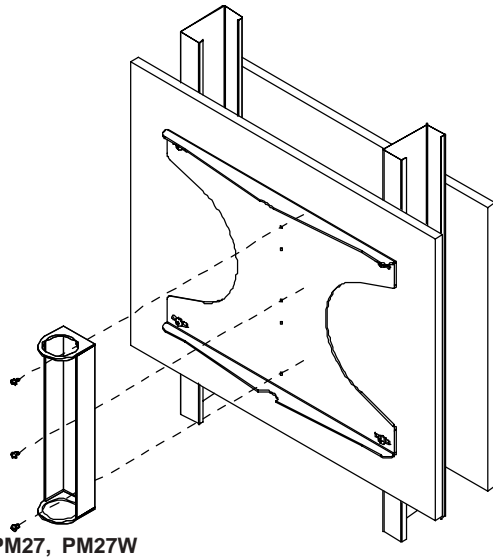
Metal Stud Wall Plates accept Peerless **PM** or **SP** series wall mount TV mounting brackets. 1/4-20 x 1/4" screws are included. Pictured are three brackets styles and how they attach.



SP09, SP09W,
SP13, SP13W

Metal stud wall plates include special togglers for attachment to metal stud walls (as pictured).

1/4-20 x 2 1/2"
phillips screw, &
steel drop down
toggler.



PM27, PM27W

Architects Specifications:

The Metal Stud Wall Plate shall be a Peerless model **WSP** and shall be located where indicated on the plans. It shall be constructed of 12 gage cold rolled steel. It shall include special togglers for attachment to a metal stud wall and 1/4-20 x 1/4" screws for attachment of a Peerless **PM** or **SP** series TV Wall Mount to the Metal Stud Wall Plate. The finish shall be scratch resistant Black, White, or Silver Fused Epoxy. Assembly and installation shall be done according to instructions provided by the manufacturer.



Peerless Industries, Inc. 3215 W. North Ave. Melrose Park, IL 60160
708-865-8870 800-865-2112 Fax 708-865-2941 www.peerlessindustries.com

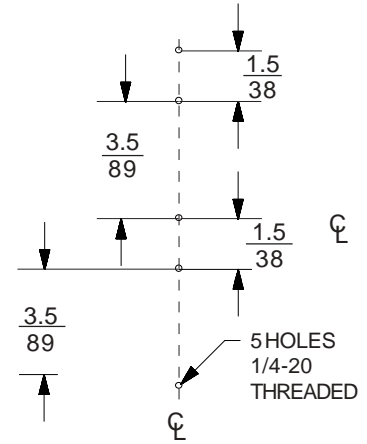
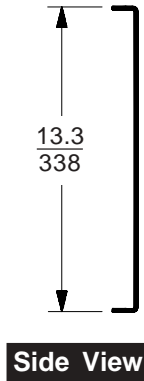
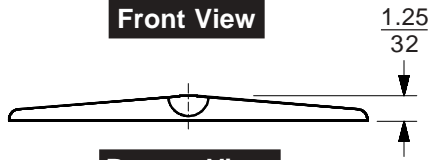
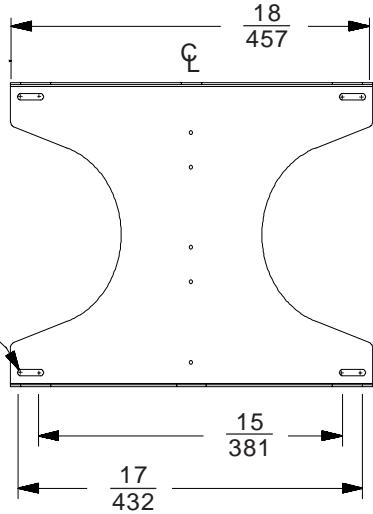
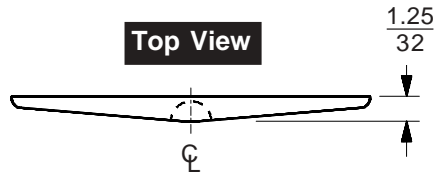
TECHNICAL DATA SHEET

METAL STUD WALL PLATE

Issued: 02-08-00 Sheet#: 024-9502-2 07-30-04

PAGE
1 OF 2

Models **WSP 320**, **WSP 320S**, and **WSP 320W** attach to studs on 16" (406 mm) centers.



4 SLOTS
 $\frac{.281}{7.1} \times \frac{1.281}{32.5}$

NOTES:	
ALL DIMENSIONS:	$\frac{\text{INCH}}{\text{MM}}$
UNLESS OTHERWISE SPECIFIED	
CL	= CENTER LINE
PART IS SYMMETRICAL	
MATERIAL: 12 GAUGE COLD ROLLED STEEL	



Peerless Industries, Inc. 3215 W. North Ave. Melrose Park, IL 60160
 708-865-8870 800-865-2112 Fax 708-865-2941 www.peerlessindustries.com

TECHNICAL DATA SHEET

METAL STUD WALL PLATE

Issued: 02-08-00 Sheet #: 024-9502-2 07-30-04

PAGE
2 OF 2