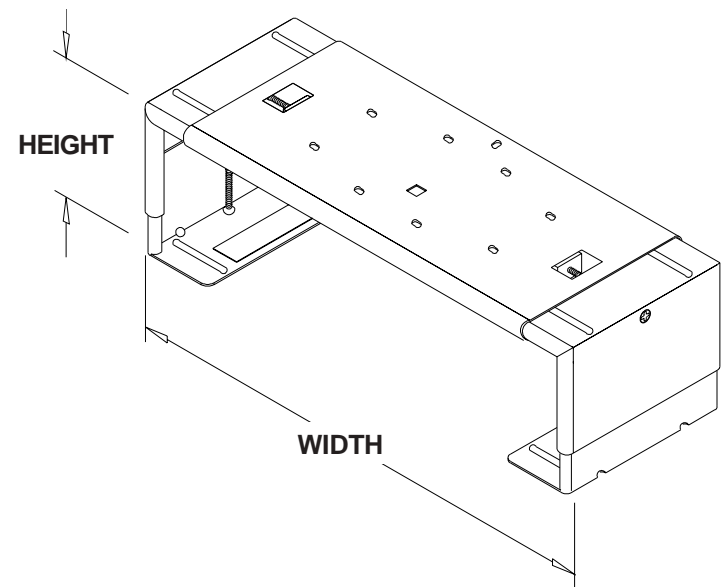
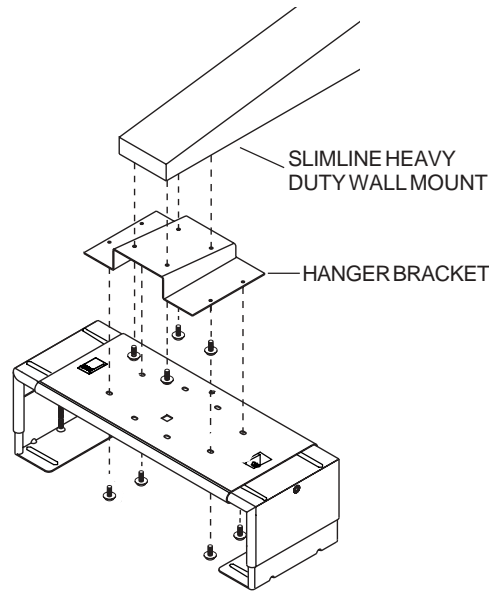


MODEL #	WEIGHT	SHIPPING WEIGHT
VPM 25-S	4.1 lb (1.9 kg)	4.6 lb (2.1 kg)
SVPM 25-S	4.2 lb (1.9 kg)	4.6 lb (2.1 kg)
VPM 35-S, SVPM 35-S	4.0 lb (1.8 kg)	5.6 lb (2.5 kg)
VPM 40-S, SVPM 40-S	4.8 lb (2.2 kg)	5.6 lb (2.5 kg)
VPM 45-S, SVPM 45-S	5.6 lb (2.5 kg)	6.6 lb (3.0 kg)

MAX. LOAD CAPACITY: 50.0 lb (22.7 kg)



MODEL #	INSIDE DIMENSIONS		VCR/DVD/DVR DIMENSIONS	
	WIDTH (W)	HEIGHT (H)	MAXIMUM	MINIMUM
VPM 25-S, SVPM 25-S	13.25" - 17.25" (337 mm - 438 mm)	1.5" - 2.75" (38 mm - 70 mm)	17.25" x 2.50" (438 mm x 64 mm)	13.25" x 1.75" (337 mm x 44 mm)
VPM 35-S, SVPM 35-S	10.25" - 14.25" (260 mm - 362 mm)	2.69" - 4.5" (68 mm - 114 mm)	14.25" x 4.25" (362 mm x 108 mm)	10.25" x 3" (260 mm x 76 mm)
VPM 40-S, SVPM 40-S	13.25" - 17.25" (337 mm - 438 mm)	2.69" - 4.5" (68 mm - 114 mm)	17.25" x 4.25" (438 mm - 108 mm)	13.25" x 3" (337 mm - 76 mm)
VPM 45-S, SVPM 45-S	13.25" - 17.25" (337 mm - 438 mm)	4.25" - 5.75" (108 mm - 146 mm)	17.25" x 5.5" (438 mm x 140 mm)	13.25" x 4.5" (337 mm x 114 mm)

The **VCR/DVD/DVR Mount** attaches below a Peerless® TV mount and is designed to surround and clamp the VCR/DVD/DVR. All mounting hardware is provided for attachment to a Slimline® Heavy Duty Wall Mount pictured (above left).

Features

- All-steel construction
- Scratch resistant black fused epoxy finish
- Four sizes available
- Screws for attachment to a Slimline Heavy Duty Wall Mount included

Architects Specifications:

The VCR/DVD/DVR Mount shall be a Peerless model _____. It shall be constructed of heavy gage cold rolled steel and finished in scratch resistant Black Fused Epoxy. It shall feature adjustable height and width in a design that surrounds and clamps the VCR/DVD/DVR. The point of attachment shall be to the bottom of any Peerless Heavy Duty Wall Mount (with wedge shape wall arm). Assembly and installation shall be done according to instructions provided by the manufacturer.

TECHNICAL DATA SHEET
VCR/DVD/DVR MOUNT FOR SLIMLINE® HEAVY DUTY WALL MOUNT

Peerless Industries, Inc.

3215 W. North Ave.
Melrose Park, IL 60160

phone: (708) 865-8870
fax: (708) 865-2941

ISSUED: 5-30-95 SHEET NO: 081-9504-2 06-04-04