

**IMPORTANT!** Read entire instruction sheet before you start installation and assembly.

## ⚠ WARNING

- Installer must verify that the ceiling will safely support four times the combined weight of all attached equipment and hardware.

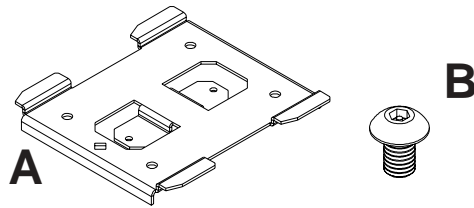
This product is to be used in combination with **model PJRL100 Projector Mount Base Unit** (see page 2).

Before you start check the parts list below to make sure all of the parts shown are included.

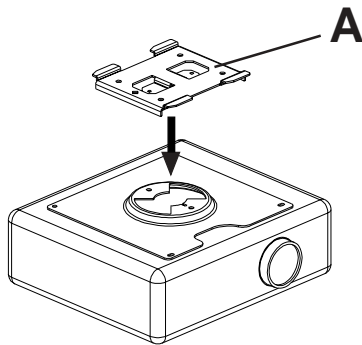
### Parts List

Description	Qty.	Part Number
A interface bracket	1	055-1251
B M5 x .8 x 8 mm socket pin screw	2	520-1062

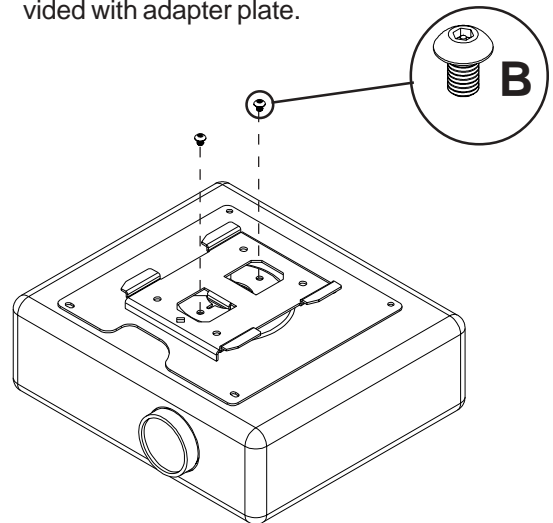
Note: Actual parts may appear slightly different than illustrated.



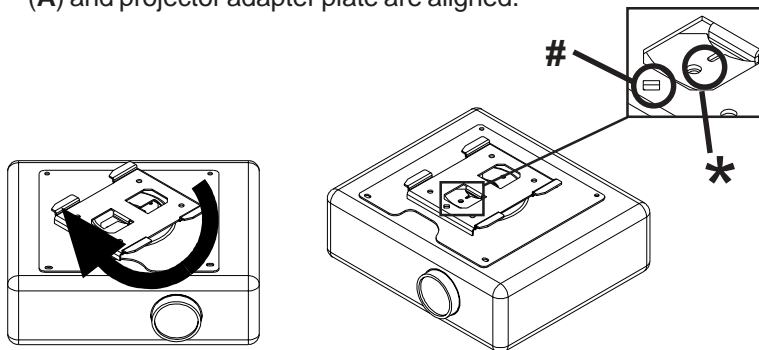
- 1 Place interface bracket (A) on top on adapter plate as shown.



- 3 Fasten interface bracket (A) to adapter plate using two M5 socket-pin screws (B). Tighten screws (B) using 4 mm allen wrench provided with adapter plate.



- 2 **NOTE:** #Arrow indicates front.  
\*Notch indicates front of projector.  
Rotate projector with adapter plate attached. Make sure that both front of interface bracket (A) and projector adapter plate are aligned.



**Note: The Projector Adapter Plate and projector you are installing may differ in appearance from the sample illustrated below.**

- 4** Position four tabs in interface bracket (A) behind four tabs in base unit. Slide forward to engage latch. **BE SURE THAT LATCH IS ENGAGED!**

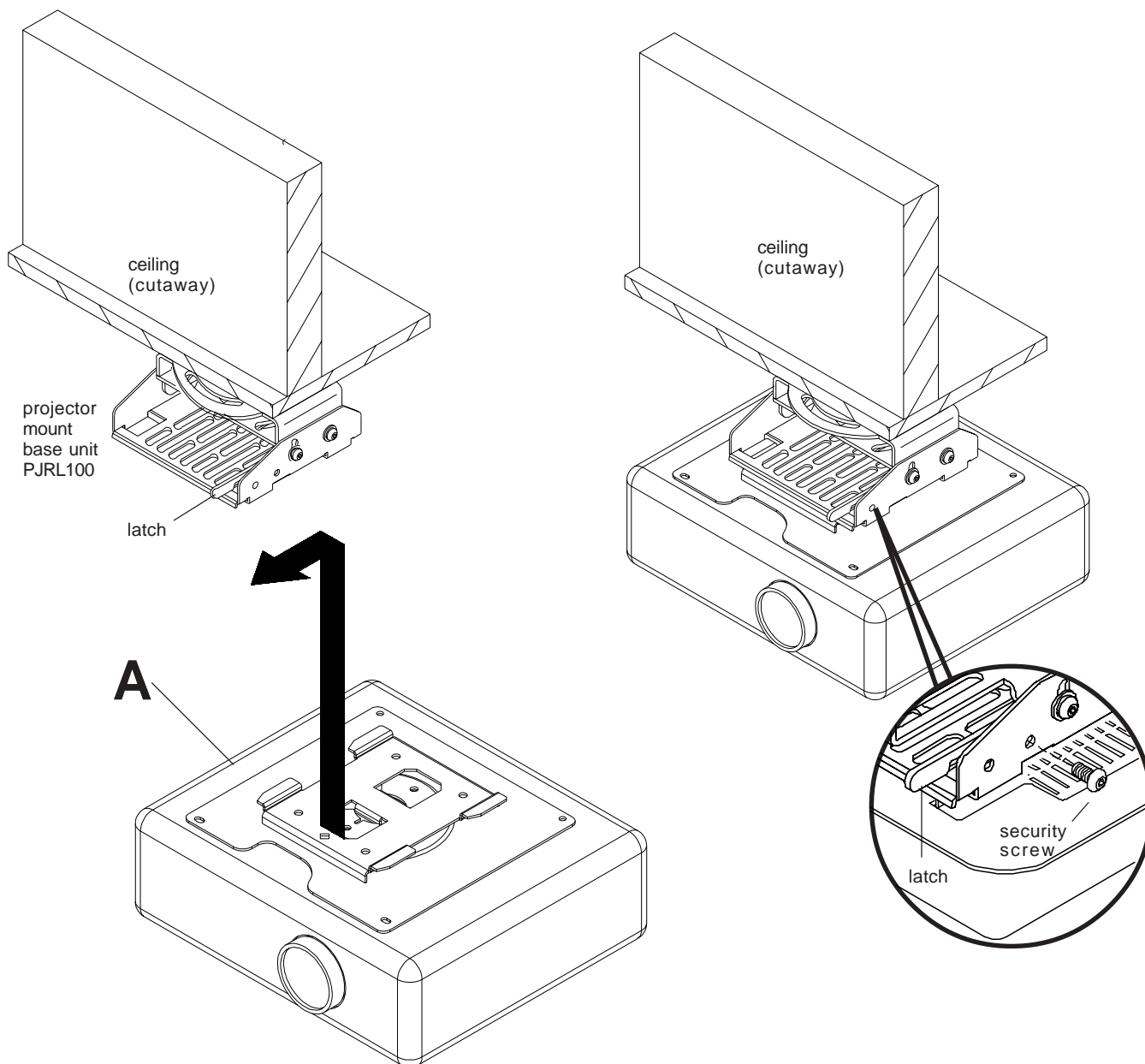
## **⚠ WARNING**

- Always use an assistant or mechanical lifting equipment to safely lift and position the projector.

## **SECURITY OPTION**

Lock the latch by tightening M6 x 1 x 20 mm socket head security screw through hole in base unit, into threaded hole in latch. Tighten using 4 mm allen wrench (screw and wrench are included with base unit).

**IMPORTANT:** Allen wrench is your key for projector removal. Store it in a safe place.



Peerless offers several LCD Projector Mounts to fit various video projectors. New Projector Mounts are continually being developed to meet the demands of a growing LCD projector market. To find out if a mount is available for your particular LCD video projector call Peerless customer service at 1-800-729-0307 or 708-865-8870.