

Installation and Assembly - VCR Mount

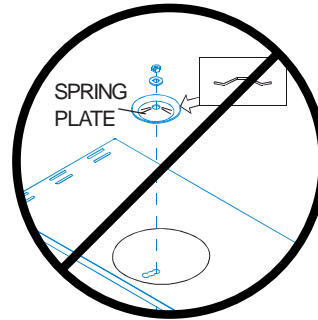
Check parts list. Be sure all parts listed are included with your product.

Models: DS 35, DS 35-SV, DS 35S, DS 35S-SV, DS 40, DS 40-SV, DS 40S, DS 40S-SV, DS 40W, DS 45, DS 45-SV, DS 45S, DS 45S-SV

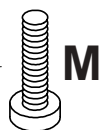
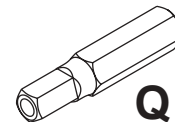
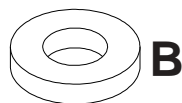
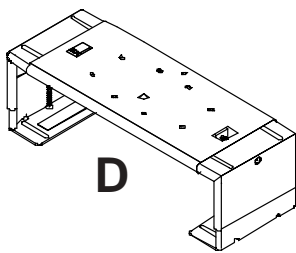
MODEL #	INSIDE DIMENSIONS	
	WIDTH (W)	HEIGHT (H)
DS 35, DS 35-SV, DS 35S, DS 35S-SV	10.25" - 14.25" (260 mm - 362 mm)	2.69" - 4.5" (68 mm - 114 mm)
DS 40, DS 40-SV, DS 40S, DS 40S-SV, DS 40W	13.25" - 17.25" (337 mm - 438 mm)	2.69" - 4.5" (68 mm - 114 mm)
DS 45, DS 45-SV, DS 45S, DS 45S-SV	13.25" - 17.25" (337 mm - 438 mm)	4.25" - 5.75" (108 mm - 146 mm)

⚠ WARNING

- Do not use spring plate when attaching VCR mount to TV mount/stand. Step one on page 2 illustrates proper installation.



														Parts List		
DS 35	DS 35-SV	DS 35S	DS 35S-SV	DS 40	DS 40-SV	DS 40S	DS 40S-SV	DS 40W	DS 45	DS 45-SV	DS 45S	DS 45S-SV	Description	Qty.	Part Number	
x	x	x	x	x	x	x	x	x	x	x	x	x	A short piece of adhesive foam (not shown)	2	599-1122 570-0014	
x		x		x		x		x		x		x	B washer	1	540-1007 540-2007	
x	x	x	x	x	x	x	x	x	x	x	x	x	C long piece of adhesive foam (not shown)	2	599-3802 570-0015	
--	--	--	--	--	--	--	--	--	--	--	--	--	D VCR mount	1	---	
x		x		x		x		x		x		x	L plastic spacer	2	540-9413 540-9443	
x	x	x	x	x	x	x	x	x	x	x	x	x	M M5 x .8 x 16 mm phillips screw	3	520-9515	
x		x		x		x		x		x		x	N #10 SAE flat washer	7	540-9400 540-9442	
x		x		x		x		x		x		x	O 10-24 nylock nut	4	530-9341 530-9342	
x		x		x		x		x		x		x	P 10-24 x 1/2" carriage bolt	4	520-9523 520-2104	
		x				x						x	Q M5 x 1" penta-pin™ tool	1	520-9249	



Parts may appear slightly different than illustrated.

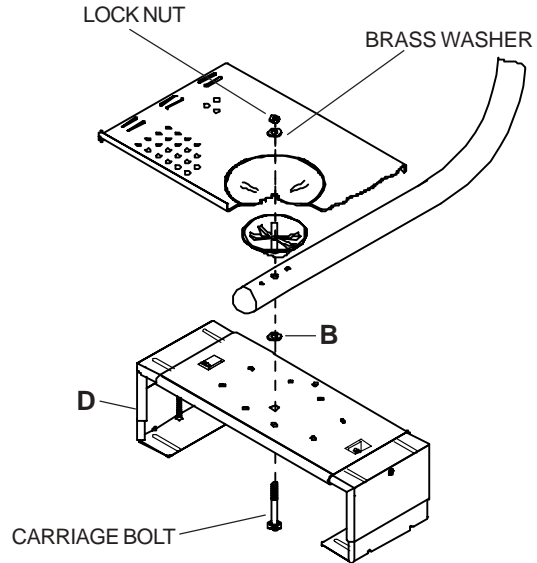
This VCR mount can be used with two different types of TV mounts/stands. As a result, you will not use all of the fasteners provided. Follow the instructions for the type of TV mount/stand you have.

All other parts shown are found with TV mount/stand.

If you have the TV mount/stand pictured below and the mount is already assembled, it will have to be disassembled to do this installation.

- 1 Assemble the parts as shown.

IMPORTANT: Be sure to reuse carriage bolt, brass washer and lock nut included with wall mount.

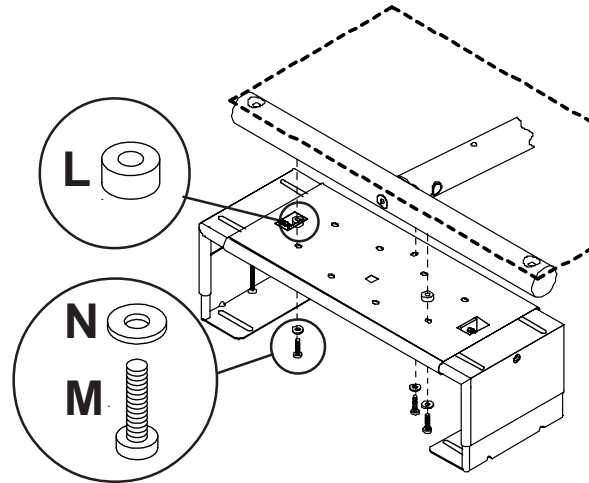


Use parts **L, N, & M** for this installation.

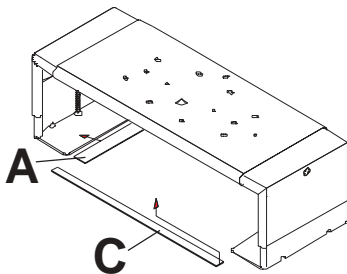
TV does not need to be removed for this installation.

- 1 Assemble the parts as shown.

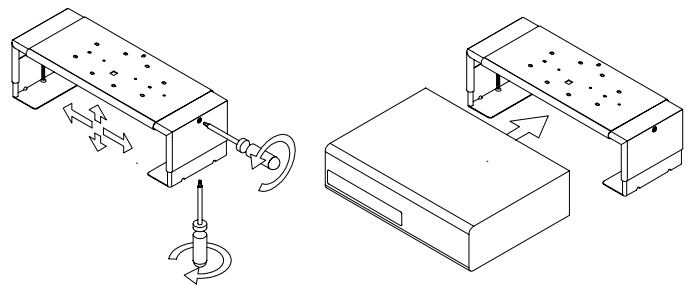
There are two small holes, on the bottom of the bar that runs underneath the tray. If you do not see them, the bar was probably installed upside down when the TV mount/stand was assembled. You will need to remove the tray and the bar to turn it around so that the holes face downward.



- 2 Attach foam pads (A) and (C) as shown.



- 3 Adjust height + width. Mount VCR.



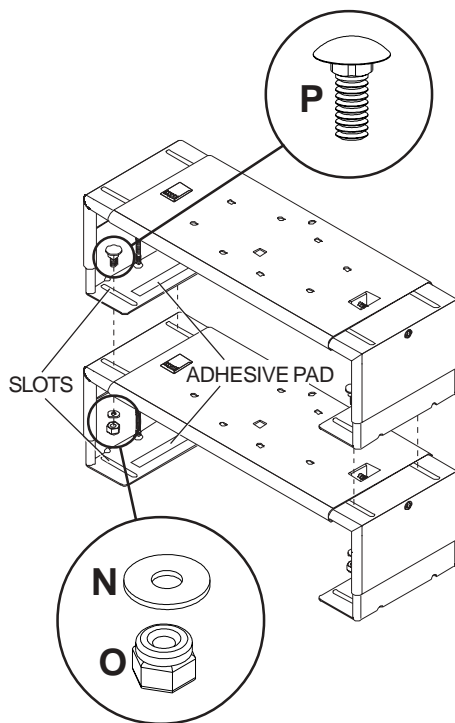
OPTIONAL: If attaching multiple VCR mounts to a TV mount, proceed with step 4 through 6.

⚠ WARNING

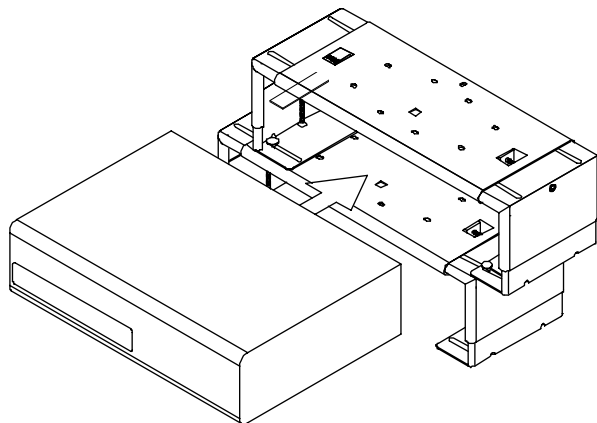
- Do not stack more than three VCR Mounts from a single Peerless TV Mount. Stacked load cannot exceed 50 lb (23 kg).

- 4** Insert four carriage bolts (**P**) into slots in upper VCR mount. Attach lower VCR mount using four nuts (**O**) and four washers (**N**). **HAND TIGHTEN ONLY.**

Note: If adhesive pads on VCR Mount are covering slots, trim away excessive pad to expose slots.



- 5** Insert VCR into upper VCR Mount.



- 6** Align front of VCR with front of TV on TV Mount (TV Mount not pictured). Tighten expansion screws in sides and bottom of VCR Mount to clamp the VCR with a firm, secure grip.

Note: To access the vertical expansion screws located on the bottom of the upper VCR Mount, slide the lower VCR Mount to the side exposing vertical expansion screw. Repeat this step on opposite side of VCR Mount. Center lower VCR Mount and tighten four nuts (**O**, see step 4) securely.

Expand lower VCR Mount to slightly larger than the height and width of the VCR that it will hold. Insert and clamp lower VCR into lower VCR Mount.

