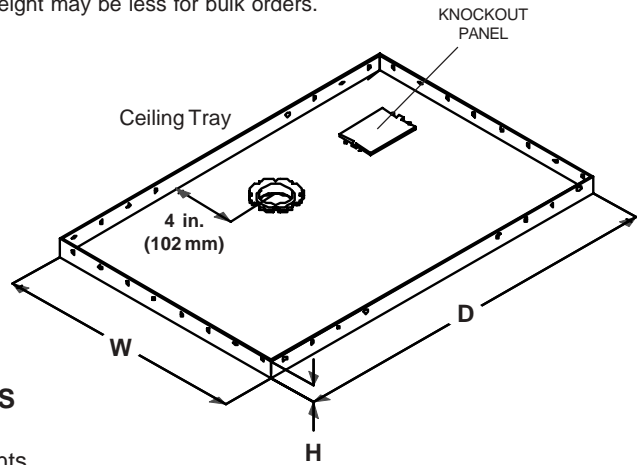
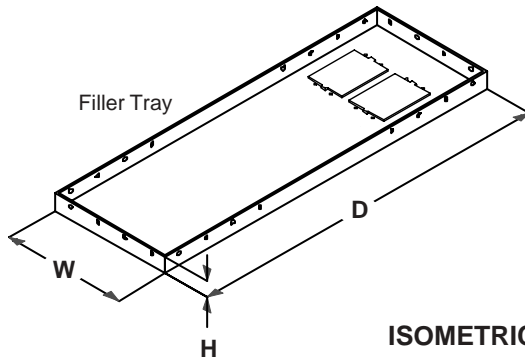


Lightweight Suspended Ceiling Tray for Projector Mounts			Dimensions	Width	Depth	Height
Weight	*Shipping Weight	**Maximum Load	Ceiling Tray	15.75" (400 mm)	24" (610 mm)	1" (25 mm)
13.6 lb (6.2 kg)	14.6 lb (6.6 kg)	50 lb (23 kg)	Filler Tray	8" (203 mm)	24" (610 mm)	1" (25 mm)

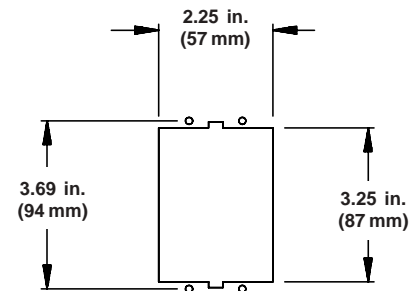
*Shipping weight based on single unit shipment. Per unit shipping weight may be less for bulk orders.

**Combined weight of all attached hardware and components.



ISOMETRIC VIEWS

The Lightweight Suspended Ceiling Plate for Projector Mounts consists of an 8"(203mm) x 24"(610mm) filler tray and a 15.75"(400mm) x 24"(610mm) ceiling tray suspended by four tie wires from the true ceiling above. Turnbuckles allow the installation to be "fine tuned". The 1 1/2-11.5 NPS threaded fitting in the ceiling tray serves as the point of attachment for a Peerless Projector Mount or other Peerless product specified as compatible with the Lightweight Suspended Ceiling Kit. Product may be attached directly or lowered with the addition of a Peerless 1 1/2-11.5 NPT Extension Column available in several lengths. 20' (6.1m) of tie wire is provided (12 gauge annealed steel, soft, black) - enough for a 3' drop suspended ceiling. If the suspended ceiling is more than 3 feet from the true ceiling, the installer will need to obtain additional wire prior to installation.



Electrical Knockout

Features:

- Three position mounting capabilities, (off center to left or right and centered)
- Knockout panel for electrical outlet box (Raco 445 or Appleton 383 recommended) and antenna leads
- Scratch-resistant white fused epoxy finish

WARNING: Weight of product not to exceed maximum load capacity of 50 lbs. (23 kg)!



ARCHITECTS SPECIFICATIONS

The Lightweight Suspended Ceiling Plate shall be a Peerless model CMJ 455 and shall be mounted where indicated on the plans. It shall contain a ceiling tray with a 1 1/2-11.5 NPS center threaded fitting and a knockout panel for outlet boxes (Raco 445 or Appleton 383 recommended) and antenna leads. It shall also contain a filler tray. It shall feature a tie wire support system to transfer the load to four attachment points (in the true ceiling above) with turnbuckles to fine tune the level of the ceiling tray. It shall be U.L. Listed. The finish shall be White Fused Epoxy. Assembly and installation shall be done according to instructions provided by the manufacturer.



Peerless Industries, Inc. 3215 W. North Ave. Melrose Park, IL 60160
708-865-8870 800-865-2112 Fax 708-865-2941 www.peerlessindustries.com

TECHNICAL DATA SHEET

Lightweight Suspended Ceiling Plate for Projector Mounts

Issued: 05-27-99 Sheet #128-9521-3 8-20-03 page 1 of 1