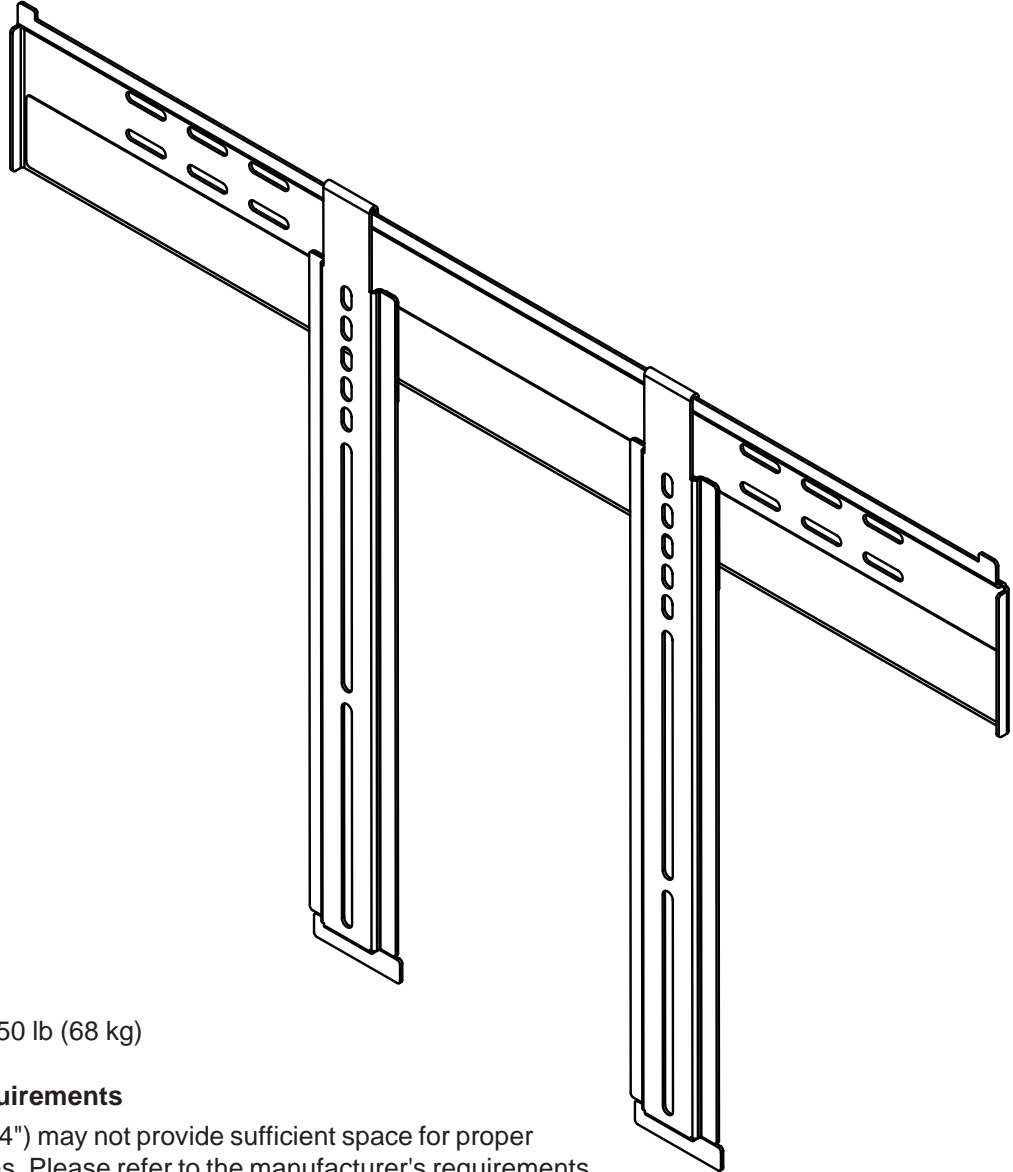




## Installation and Assembly: Slimline Ultra-Thin Flat Mount for 32" to 50"\* LCD Flat Panel Screens

---

**Models:** SUF650P



**Maximum Load Capacity:** 150 lb (68 kg)

### \*Screen Compatibility Requirements

- The depth of this mount (0.4") may not provide sufficient space for proper ventilation on some screens. Please refer to the manufacturer's requirements for mounting your screen before installation.
- The screen must have a flat mounting surface, or the mounting holes need to be on the furthest back surface of the screen.
- Input/Output connection must be properly oriented to accommodate mounting 0.4" from the wall.

**NOTE:** Read entire instruction sheet before you start installation and assembly.

## ⚠ WARNING

- Do not begin to install your Peerless product until you have read and understood the instructions and warnings contained in this Installation Sheet. If you have any questions regarding any of the instructions or warnings, please call Peerless customer care at 1-800-865-2112.
- This mount is designed to attach the screen 0.4" from the wall. Please refer to manufacturer's installation guide recommendations for required distance from wall to avoid risk of injury or property damage.
- This product should only be installed by someone of good mechanical aptitude, has experience with basic building construction, and fully understands these instructions.
- Make sure that the supporting surface will safely support the combined load of the equipment and all attached hardware and components.
- Never exceed the Maximum Load Capacity. See page 1.
- If mounting to wood wall studs, make sure that mounting screws are anchored into the center of the studs. Use of an "edge to edge" stud finder is highly recommended.
- Always use an assistant or mechanical lifting equipment to safely lift and position equipment.
- Tighten screws firmly, but do not overtighten. Overtightening can damage the items, greatly reducing their holding power.
- This product is intended for indoor use only. Use of this product outdoors could lead to product failure and personal injury.
- This product was designed and intended to be mounted to the following supporting surfaces checked below with the hardware included in this product as specified in the installation sheet. To mount this product to an alternative supporting surface, contact Peerless customer care at 1-800-865-2112.
- This product was designed to be installed on the following wall construction only;

### WALL CONSTRUCTION

### ADDITIONAL HARDWARE REQUIRED

<input checked="" type="checkbox"/> Wood Stud	None
<input checked="" type="checkbox"/> Wood Beam	None
<input checked="" type="checkbox"/> Solid Concrete	Contact Customer Service
<input checked="" type="checkbox"/> Cinder Block	Contact Customer Service
<input type="checkbox"/> Metal Stud	Do not attach except with Peerless accessory kit for metal studs; Contact Customer Service for Peerless accessory kit for metal studs.
<input type="checkbox"/> Brick	Contact Customer Service
<input type="checkbox"/> Other or unsure?	Contact Customer Service

## Tools Needed for Assembly

- stud finder ("edge to edge" stud finder is recommended)
- phillips screwdriver
- drill
- 5/32" bit for wood stud wall
- level

## Table of Contents

Parts List .....	3
Installation to Wood Stud Wall .....	4
Installation to Solid Concrete/Cinder Block walls .....	5
Installing Adapter Brackets .....	6
Mounting and Removing Flat Panel Screen .....	8

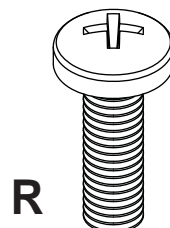
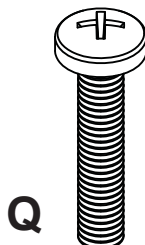
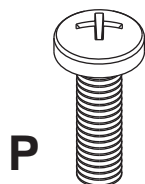
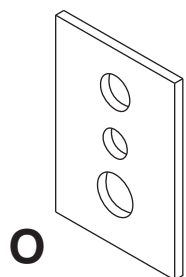
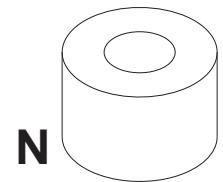
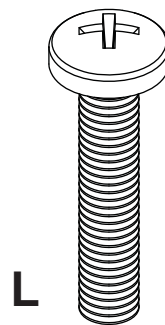
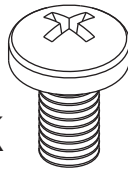
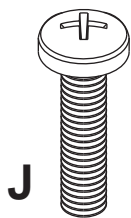
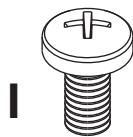
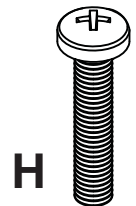
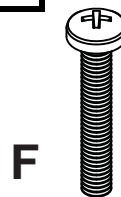
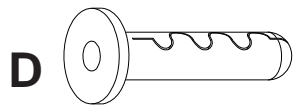
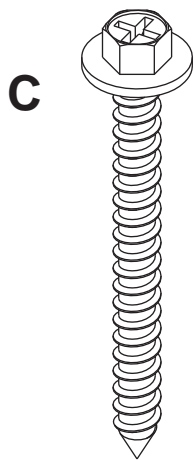
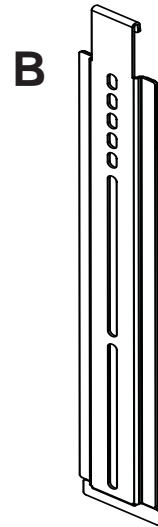
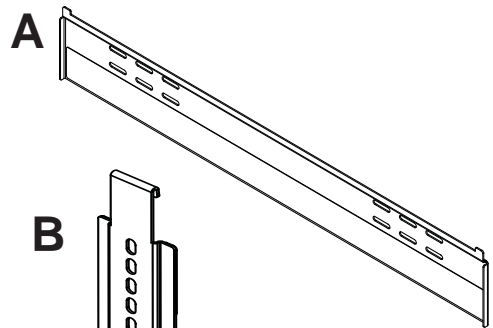
Before you begin, make sure all parts shown are included with your product.

Parts may appear slightly different than illustrated.

## Parts List

	Description	Qty.	Part #
A	wall plate	1	046-P1024
B	adapter bracket	2	046-P1026
C	wood screws	4	5S1-015-C03
D	concrete anchors	4	590-0097
E	M4 X 12 mm phillips screws	6	504-9013
F	M4 X 25 mm phillips screws	4	504-1015
G	M5 X 12 mm phillips screws	4	520-1027
H	M5 X 25 mm phillips screws	4	520-9543
I	M6 X 12 mm phillips screws	4	520-1128
J	M6 X 25 mm phillips screws	4	520-1208
K	M8 X 16 mm phillips screws	6	520-9257
L	M8 X 40 mm phillips screws	4	520-1136
M	.219" ID x .5" OD spacers	4	540-1057
N	.344" ID x .75" OD spacers	4	540-1059
O	multi washer	6	580-1036
P	M6 X 20 mm phillips screws	4	520-9402
Q	M6 X 30 mm phillips screws	4	510-9109
R	M8 X 25 mm phillips screws	4	520-1031

Parts may appear slightly different than illustrated.



## Installation to Wood Stud Wall

### ⚠ WARNING

- Installer must verify that the supporting surface will safely support the combined load of the equipment and all attached hardware and components.
- Tighten wood screws so that wall plate is firmly attached, but do not overtighten. Overtightening can damage the screws, greatly reducing their holding power.
- Never tighten in excess of 80 in. • lb (9 N.M.).
- Make sure that mounting screws are anchored into the center of the stud. The use of an "edge to edge" stud finder is highly recommended.
- Hardware provided is for attachment of mount through standard thickness drywall or plaster into wood studs. Installers are responsible to provide hardware for other types of mounting situations.

- 1 Wall plate (A) can be mounted to two studs that are 16" apart. Use a stud finder to locate the edges of the studs. Use of an edge-to-edge stud finder is highly recommended. Based on their edges, draw a vertical line down each stud's center. Place wall plate on wall as a template. The mounting slots should be located 7" (177 mm) above the desired screen center as shown in figure 1.1. Level plate, and mark the center of the four mounting holes. Make sure that the mounting holes are on the stud centerlines. Drill four 5/32" (4 mm) dia. holes 2-1/2" (65 mm) deep. Make sure that the wall plate is level, secure it using four #14 x 2.5" wood screws (C) as shown in fig. 1.2.

fig. 1.1

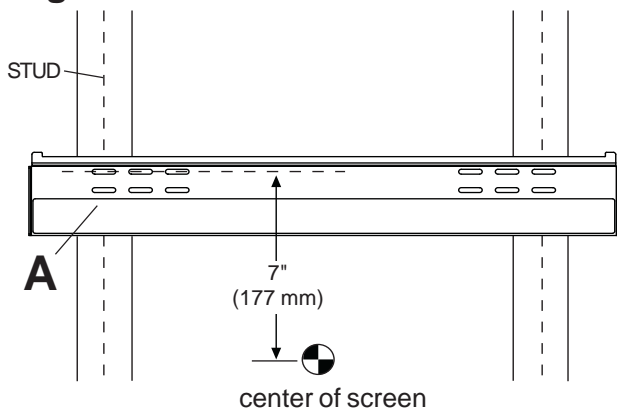
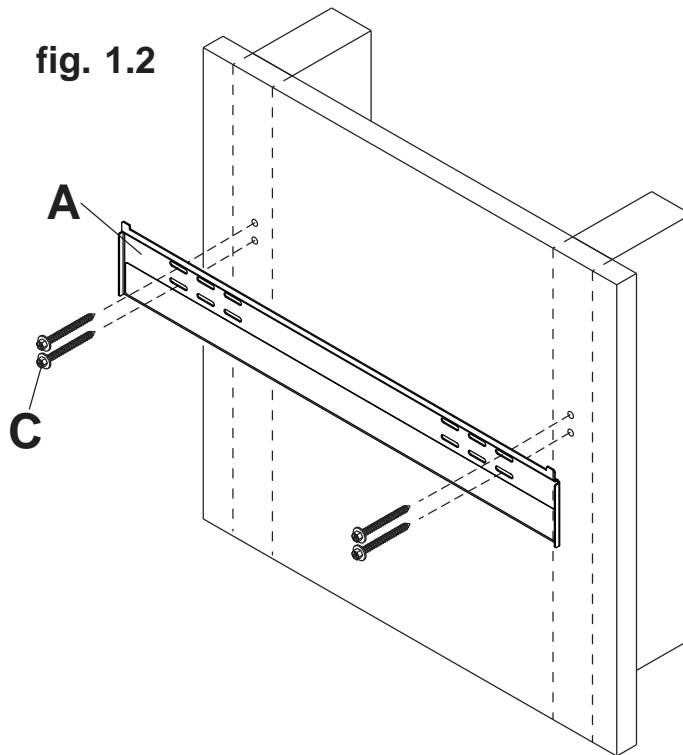


fig. 1.2

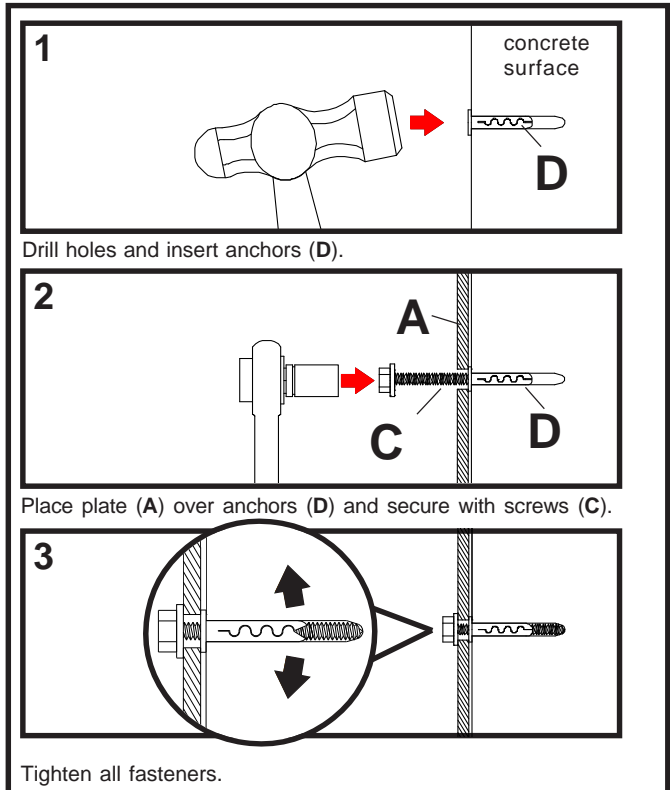


# Installation to Solid Concrete or Cinder Block

## ⚠ WARNING

- When installing Peerless wall mounts on cinder block, verify that you have a minimum of 1-3/8" of actual concrete thickness in the hole to be used for the concrete anchors. Do not drill into mortar joints! Be sure to mount in a solid part of the block, generally 1" minimum from the side of the block. Cinder block must meet ASTM C-90 specifications. It is suggested that a standard electric drill on slow setting is used to drill the hole instead of a hammer drill to avoid breaking out the back of the hole when entering a void or cavity.
- Concrete must be 2000 psi density minimum. Lighter density concrete may not hold concrete anchor.
- Installer must verify that the supporting surface will safely support the combined load of the equipment and all attached hardware and components.

- 1** Make sure that wall plate (A) is level, use it as a template to mark four mounting holes. The top mounting slots should be located 7" (177 mm) above the desired screen center as shown in figure 1.1 on page 4. Drill four 1/4" (6 mm) dia. holes to a minimum depth of 2.5" (64 mm). Insert anchors (D) in holes flush with wall as shown (right). Place wall plate over anchors and secure with #14 x 2.5" screws (C). Level, then tighten all fasteners.

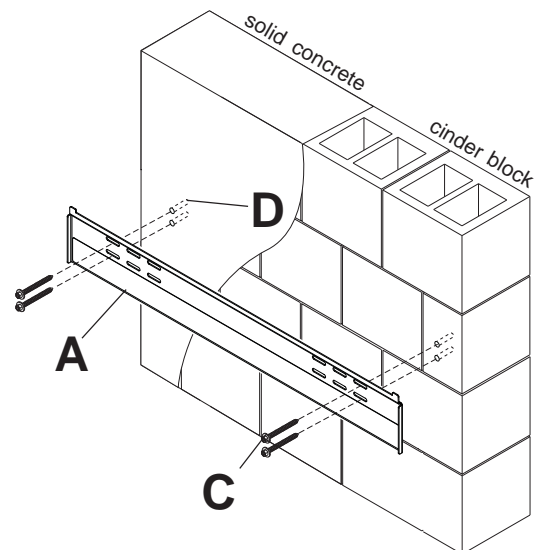
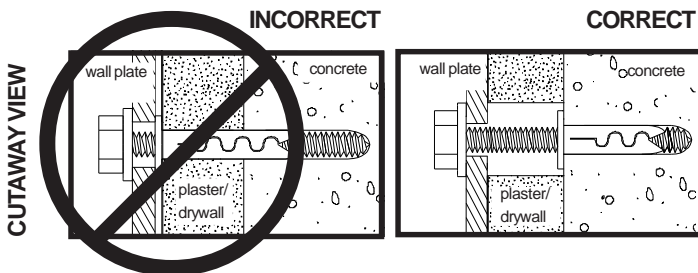


### ⚠ WARNING

- Tighten screws so that wall plate is firmly attached, but do not overtighten. Overtightening can damage screws, greatly reducing their holding power.
- Never tighten in excess of 80 in. • lb (9 N.M.).

### ⚠ WARNING

- Always attach concrete anchors directly to load-bearing concrete.
- Never attach concrete anchors to concrete covered with plaster, drywall, or other finishing material. If mounting to concrete surfaces covered with a finishing surface is unavoidable, the finishing surface must be counterbored as shown below. Be sure concrete anchors do not pull away from concrete when tightening screws. If plaster/drywall is thicker than 5/8", custom fasteners must be supplied by installer (not evaluated by UL).



## Installing Adapter Brackets

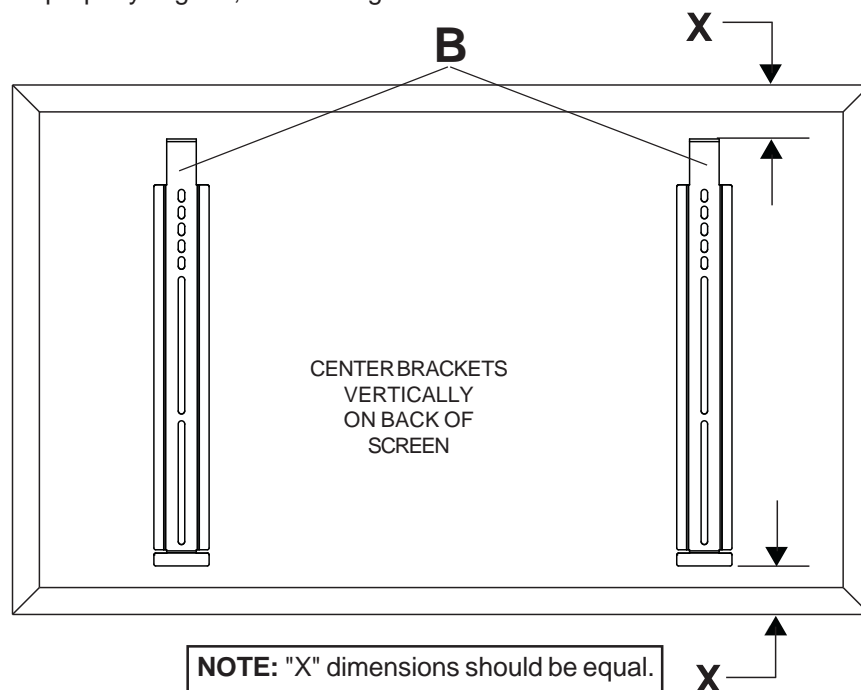
### ⚠ WARNING

- Tighten screws so adapter brackets are firmly attached. Do not tighten with excessive force. Overtightening can cause stress damage to screws, greatly reducing their holding power and possibly causing screw heads to become detached. Tighten to 40 in. • lb (4.5 N.M.) maximum torque.
- If screws don't get three complete turns in the screen inserts or if screws bottom out and bracket is still not tightly secured, damage may occur to screen or product may fail.

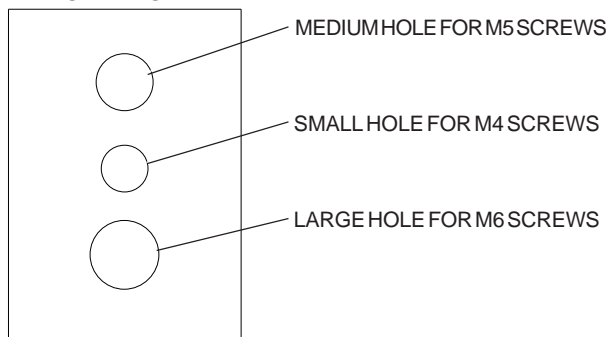
**2** To prevent scratching the screen, set a cloth on a flat, level surface that will support the weight of the screen. Place screen face side down. If screen has knobs on the back, remove them to allow the adapter brackets to be attached. Place adapter brackets (**B**) on back of screen, align to holes, and center on back of screen as shown below. Attach the adapter brackets to the back of the screen using the appropriate combination of screws, multi-washers, and spacers as shown in figure 2.1 or 2.2.

**NOTE:** Top and bottom holes must always be used.

Verify that all holes are properly aligned, and then tighten screws.



#### MULTI-WASHER



#### Notes:

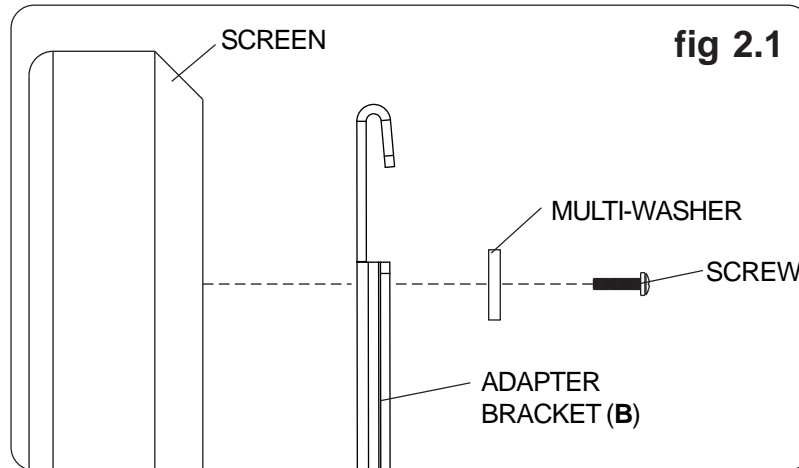
- The number of fasteners used will vary, depending upon the type of screen.
- Multi-washers and spacers may not be used, depending upon the type of screen.
- Use the corresponding hole in the multi-washer that matches your screw size.

**NOTE:** For **flat back screens** proceed to step 2-1. For **bump-out or recessed back screen** skip to step 2-2.

## For Flat Back Screen

- 2-1** Begin with the shortest length screw, hand thread through washer and adapter bracket into screen as shown below. Screw must make at least three full turns into the mounting hole and fit snug into place. Do not over tighten. If screw cannot make three full turns into the screen, select a longer length screw from the baffled fastener pack. Repeat for remaining mounting holes, level brackets and tighten screws.

**NOTE:** Spacers may not be used, depending upon the type of screen.

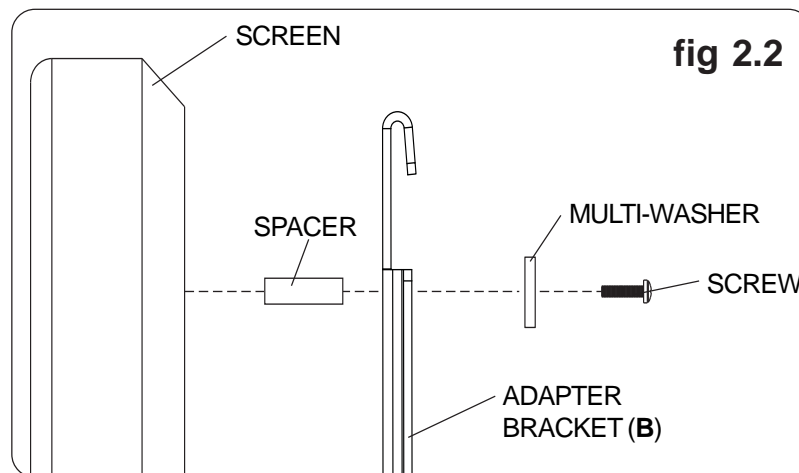


If you have any questions, please call Peerless customer care at **1-800-865-2112**.

---

## For Bump-out or Recessed Back Screen

- 2-2** Begin with longer length screw, hand thread through washer, adapter bracket and spacer in that order into screen as shown below. Screw must make at least three full turns into the mounting hole and fit snug into place. Do not over tighten. If screw cannot make three full turns into the screen, select a longer length screw from the baffled fastener pack. Repeat for remaining mounting holes, level brackets and tighten screws.



If you have any questions, please call Peerless customer care at **1-800-865-2112**.

## Mounting and Removing Flat Panel Screen

### ⚠ WARNING

- Always use an assistant or mechanical lifting equipment to safely lift and position the flat panel screens.

**3** Guide hooks of adapter brackets (**B**) onto flange of wall plate (**A**). Then slowly swing screen toward wall as shown in fig. 3.1. Gently press on screen to ensure velcro strips are engaged as shown in detail 1. Screen can be adjusted horizontally if desired as shown in fig. 3.2.

To remove screen from mount, swing screen away from mount, and lift screen off of mount.

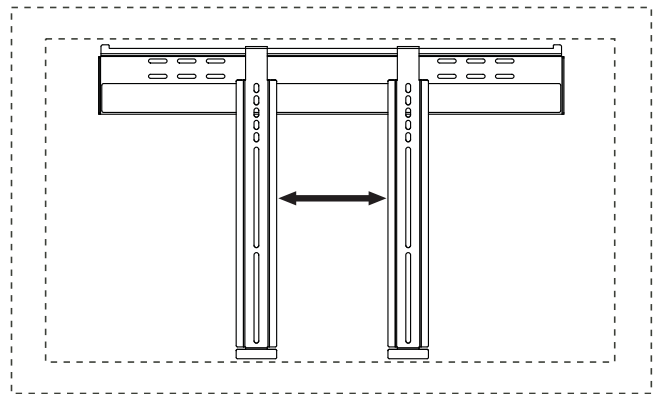


fig. 3.2

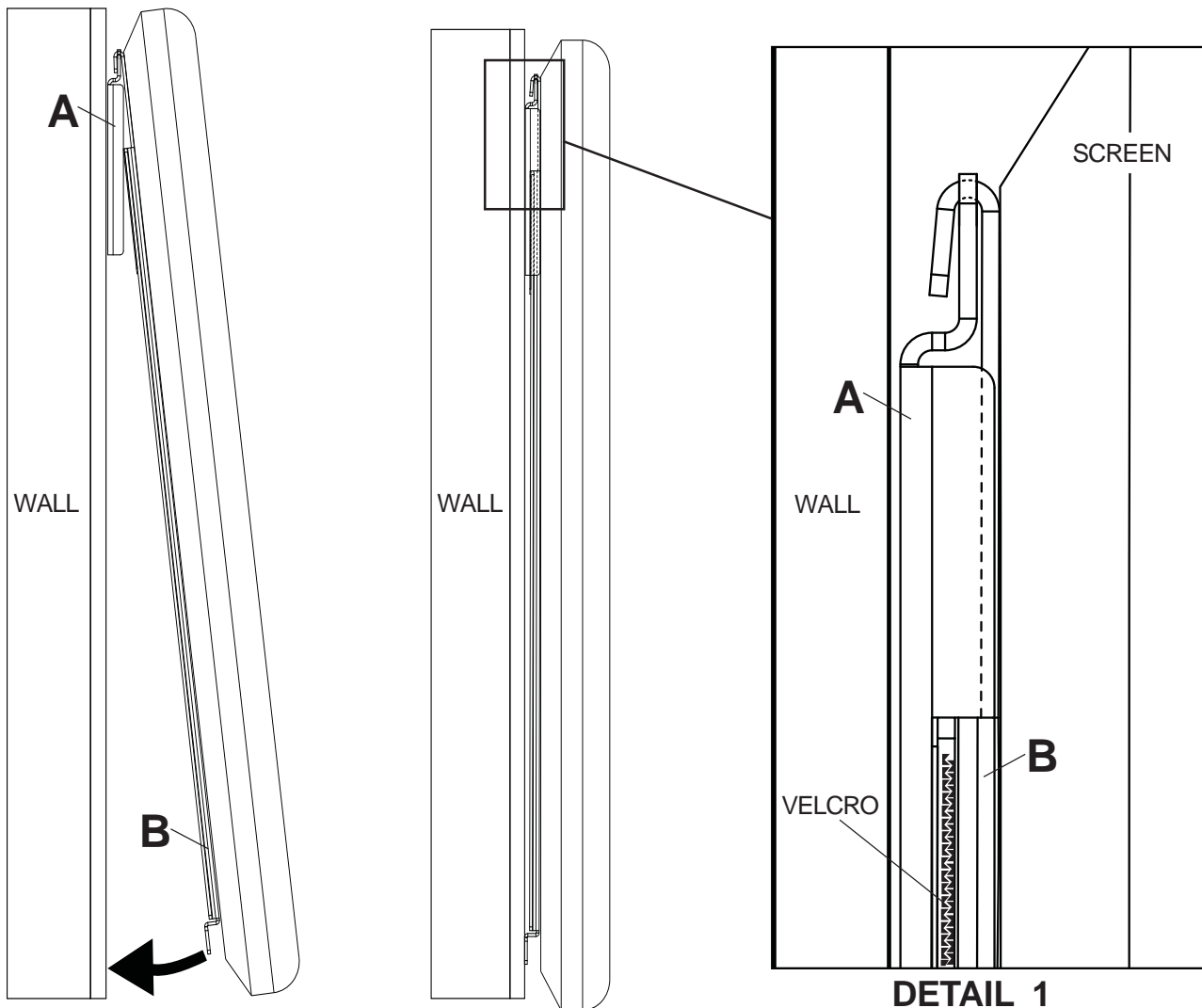


fig. 3.1