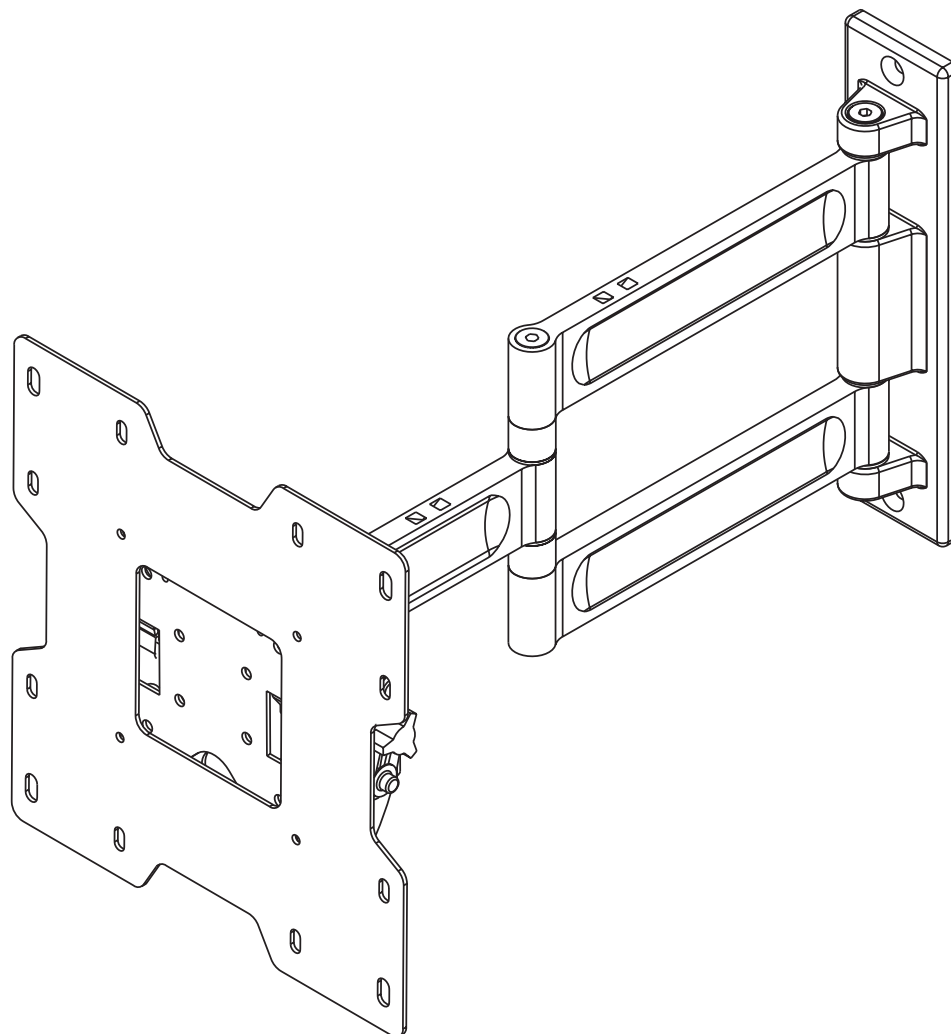


## Installation and Assembly: Paramount<sup>TM</sup> Pivot for 22" to 40" LCD screens

Models: PA740, PA740-S



This product is UL Listed.  
It must be installed by a  
qualified professional  
installer.



**Maximum UL Load Capacity: 80lb (36 kg)**

### Features:

- Fits 22" to 40" LCD screens
- Three tensionable pivot points for extensive adjustment of viewing angle
- VESA® 75/100/200 x 100/200 x 200 compatible
- Frees up space by folding flat against the wall

**NOTE:** Read entire instruction sheet before you start installation and assembly.

## **WARNING**

- Do not begin to install your Peerless product until you have read and understood the instructions and warnings contained in this Installation Sheet. If you have any questions regarding any of the instructions or warnings, please call Peerless customer care at 1-800-865-2112.
- This product should only be installed by someone of good mechanical aptitude, has experience with basic building construction, and fully understands these instructions.
- Make sure that the supporting surface will safely support the combined load of the equipment and all attached hardware and components.
- Never exceed the Maximum UL Load Capacity. See page one.
- If mounting to wood wall studs, make sure that mounting screws are anchored into the center of the studs. Use of an "edge to edge" stud finder is highly recommended.
- Always use an assistant or mechanical lifting equipment to safely lift and position equipment.
- Tighten screws firmly, but do not overtighten. Overtightening can damage the items, greatly reducing their holding power.
- This product is intended for indoor use only. Use of this product outdoors could lead to product failure and personal injury.
- This product was designed and intended to be mounted to the following supporting surfaces checked below with the hardware included in this product as specified in the installation sheet. To mount this product to an alternative supporting surface, contact Peerless customer care at 1-800-865-2112.
- This product was designed to be installed on the following wall construction only;

### **WALL CONSTRUCTION**

### **ADDITIONAL HARDWARE REQUIRED**

<input checked="" type="checkbox"/> Wood Stud	None
<input checked="" type="checkbox"/> Wood Beam	None
<input checked="" type="checkbox"/> Solid Concrete	None
<input checked="" type="checkbox"/> Cinder Block	None
<input type="checkbox"/> Metal Stud	Do not attach except with Peerless accessory kit for metal studs; Contact Customer Service for Peerless accessory kit for metal studs.
<input type="checkbox"/> Brick	Contact Customer Service
<input type="checkbox"/> Other or unsure?	Contact Customer Service

## **Tools Needed for Assembly**

- stud finder ("edge to edge" stud finder is recommended)
- phillips screwdriver
- 3/16" allen wrench
- drill with 1/4" and 5/32" drill bits

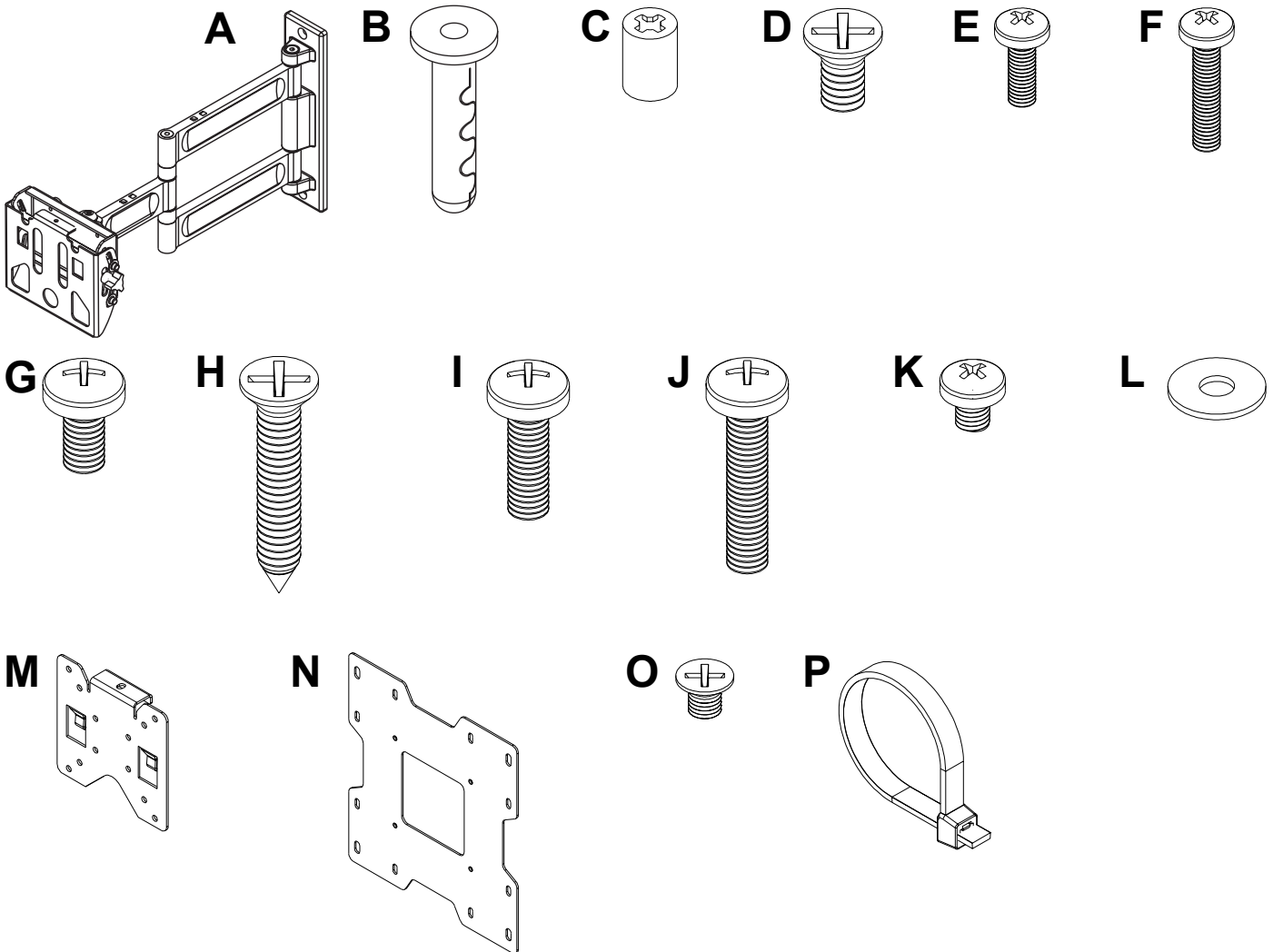
## **Table of Contents**

Parts List .....	3
Installation to Wood Stud Wall .....	4
Installation to Solid Concrete and Cinder Block .....	5

*For customer care call (800) 865-2112 or (708) 865-8870.*

# Parts List

Description	Qty.	PA740	PA740-S
		Part #	Part #
A wall mount assembly	1	095-0546-GB	095-0546-SS
B Alligator® anchor	2	590-0097	590-0097
C retaining spacer	4	590-5005	590-5003
D 1/4-20 x 1/2" flat head phillips screw	2	520-1209	520-2178
E M4 x 10 mm phillips screw	4	504-9012	520-2027
F M4 x 20 mm phillips screw	4	504-9020	504-2014
G M6 x 12 mm phillips screw	4	520-1128	520-2039
H #14 x 2-1/2" flat head wood screw	2	520-1202	520-2165
I M6 x 20 mm phillips screw	4	520-9402	520-2040
J M6 x 30 mm phillips screw	4	510-9109	520-2042
K M5 x 6 mm phillips screw	5	520-1023	520-2214
L #10 flat washer	4	540-9400	540-9442
M hook bracket	1	095-P1346	095-S4346
N adapter plate	1	095-P1322	095-S4322
O #10-32 x 1/4" flat head phillips screw	1	520-1108	520-2108
P cable tie	3	560-1725	560-2007



## Installation to Wood Stud Wall

### ⚠ WARNING

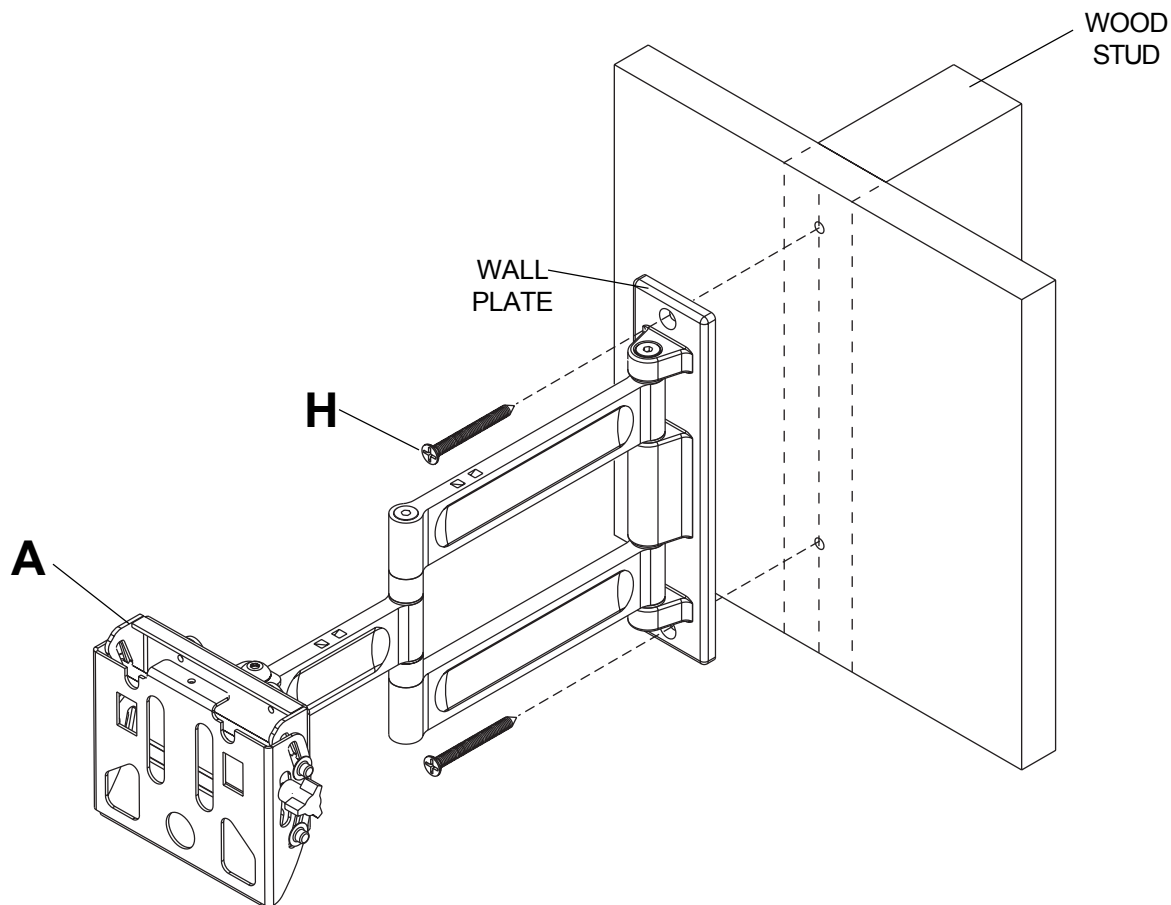
- Make sure that the supporting surface will safely support the combined load of the equipment and all attached hardware and components.

- 1 Using a stud finder, locate and mark the edges of the wood stud used in mounting this product. Use of an edge to edge stud finder is highly recommended. Use a level to draw a vertical line down the center of the stud. Use wall plate as template to mark center of holes along the vertical line. Drill two 5/32" (4 mm) dia. holes 2.5" (65 mm) deep. Attach wall mount (**A**) to wall using two #14 x 2.5" flat head wood screws (**H**) as shown.

*Skip to step 2 on page 6.*

### ⚠ WARNING

- Tighten screws so that wall plate is firmly attached, but do not overtighten. Overtightening can damage the screws, greatly reducing their holding power.
- Never tighten in excess of 80 in. • lb (9 N.M.).
- Make sure that mounting screws are anchored into the center of the studs. The use of an "edge to edge" stud finder is highly recommended.



# Installation to Solid Concrete and Cinder Block

## ⚠ WARNING

- When installing Peerless wall mounts on cinder block, verify that you have a minimum of 1-3/8" of actual concrete thickness in the hole to be used for the concrete anchors. Do not drill into mortar joints! Be sure to mount in a solid part of the block, generally 1" minimum from the side of the block. Cinder block must meet ASTM C-90 specifications. It is suggested that a standard electric drill on slow setting is used to drill the hole instead of a hammer drill to avoid breaking out the back of the hole when entering a void or cavity.
- Concrete must be 2000 psi density minimum. Lighter density concrete may not hold concrete anchor.
- Make sure that the supporting surface will safely support the combined load of the equipment and all attached hardware and components.

**1** Level and use wall plate as template to mark center of holes. Drill two 1/4" (6 mm) dia. holes to a minimum depth of 2.5" (64 mm). Insert anchors (B) in holes flush with wall as shown in fig 1.1. Place wall mount (A) over anchors and secure with wood screws (H) as shown in figures 1.2 and 1.4. Make sure wall mount is level, and tighten all fasteners. See figure 1.3.

## ⚠ WARNING

- Tighten screws so that wall plate is firmly attached, but do not overtighten. Overtightening can damage the screws, greatly reducing their holding power.
- Never tighten in excess of 80 in. • lb (9 N.M.).

## ⚠ WARNING

- Concrete anchors are **not** intended for attachment to concrete wall covered with a layer of plaster, drywall, or other finishing material as shown below. If mounting to concrete wall covered with plaster/drywall is unavoidable, plaster/drywall (up to 5/8" thick) must be counterbored as shown below. Be sure concrete anchors do not pull away from concrete when tightening screws. If plaster/drywall is thicker than 5/8", custom fasteners must be supplied by installer (not UL evaluated).

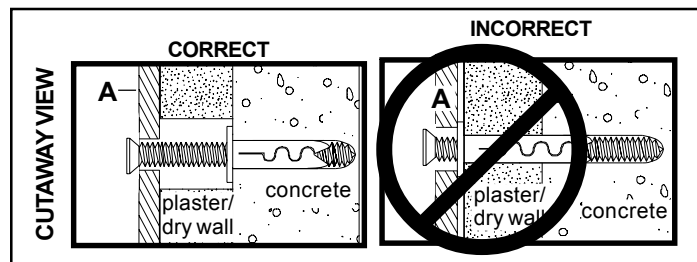
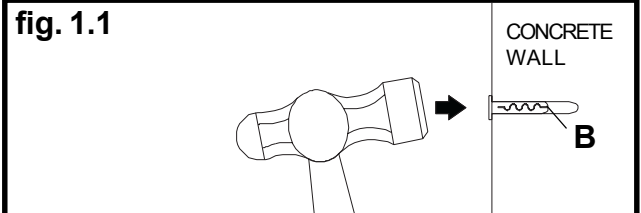
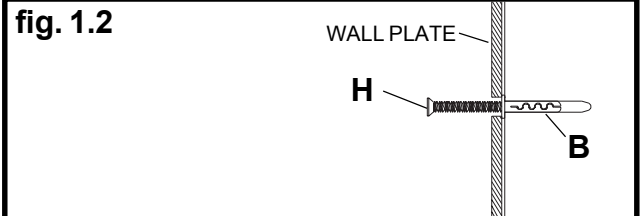


fig. 1.1



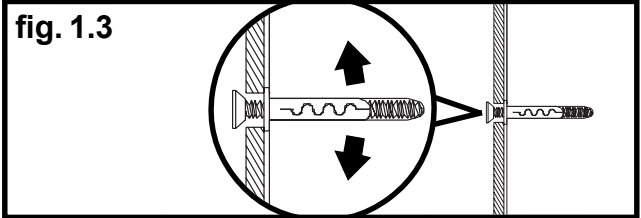
Drill holes and insert anchors (B).

fig. 1.2



Place wall plate over anchor (B) and secure with screw (H).

fig. 1.3



Tighten all fasteners.

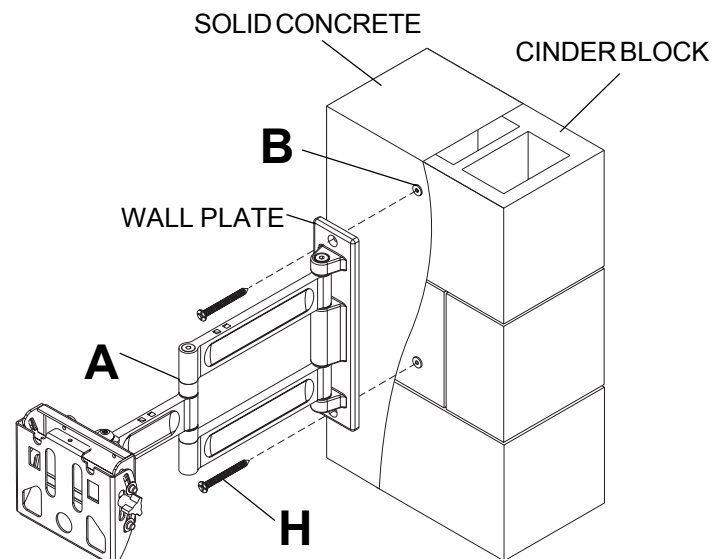
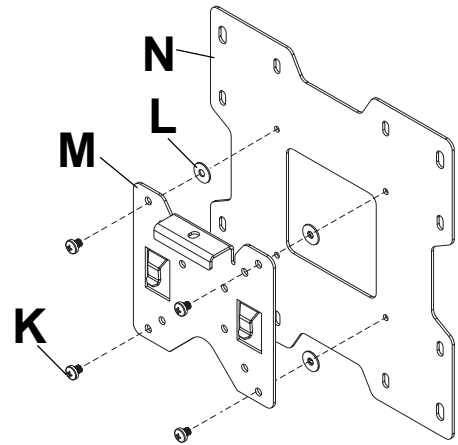


fig. 1.4

## Attaching Adapter Plate to Screen with VESA 200 x 100 or 200 x 200 Mounting Pattern

**NOTE:** For VESA 75 mm and 100 mm patterns, see following page.

- 2** Attach hook bracket (**M**) to adapter plate (**N**) using four M5 x 6 mm screws (**K**) and #10 washers (**L**) as shown.



### ⚠ WARNING

- If screws don't get three complete turns in the screen inserts or if screws bottom out and adapter plate is still not tightly secured, damage may occur to screen or product may fail.

#### FOR VESA 200 x 100 MOUNTING PATTERN:

- 2-1** Choose hole pattern as shown below. Attach adapter plate (**N**) to back of screen using four M4 x 10 mm screws (**E**) as shown below.

**\*NOTE:** If screw (**E**) gets less than three threads of engagement, attach adapter plate (**N**) to back of screen using four M4 x 20 mm screws (**F**) and four spacers (**C**) as indicated below.

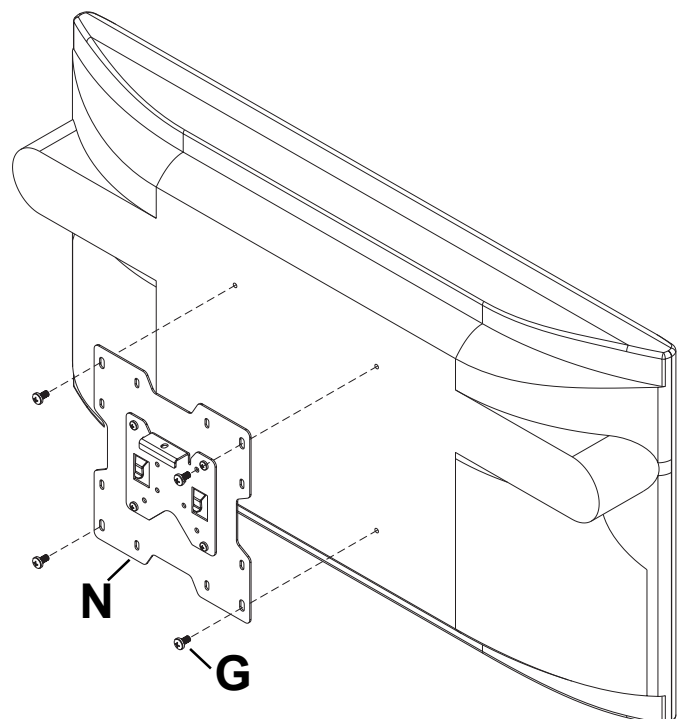
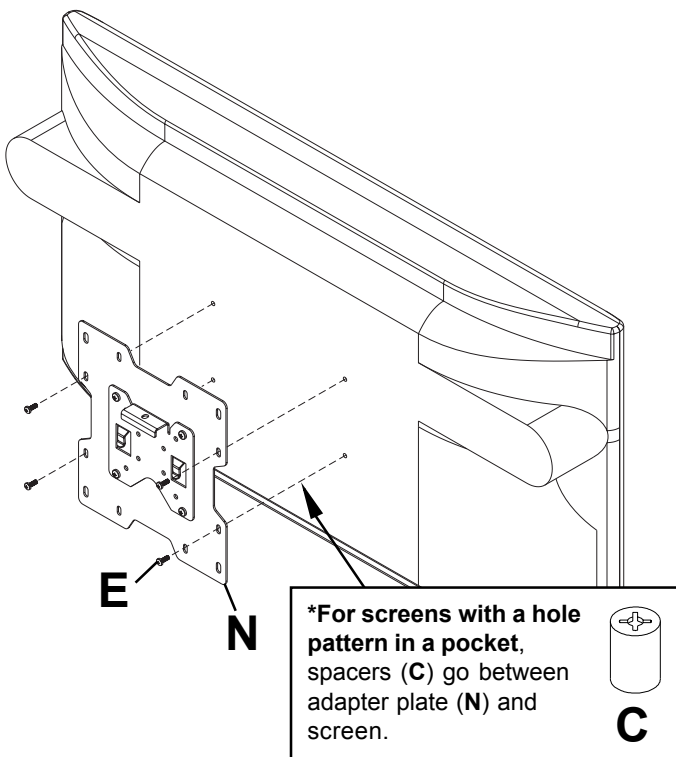
*Skip to step 3 on page 9.*

#### FOR VESA 200 x 200 MOUNTING PATTERN:

Choose hole pattern as shown below. Attach adapter plate (**N**) to back of screen using four M6 x 12 mm screws (**G**) as shown below.

**\*NOTE:** If screw (**G**) gets less than three threads of engagement, attach adapter plate (**N**) to back of screen using four M6 x 20 mm screws (**I**). If screw (**I**) still gets less than three threads of engagement, use four M6 x 30 mm screws (**J**).

*Skip to step 3 on page 9.*



# Attaching Hook Bracket to Screen with VESA 75 or 100 Mounting Pattern

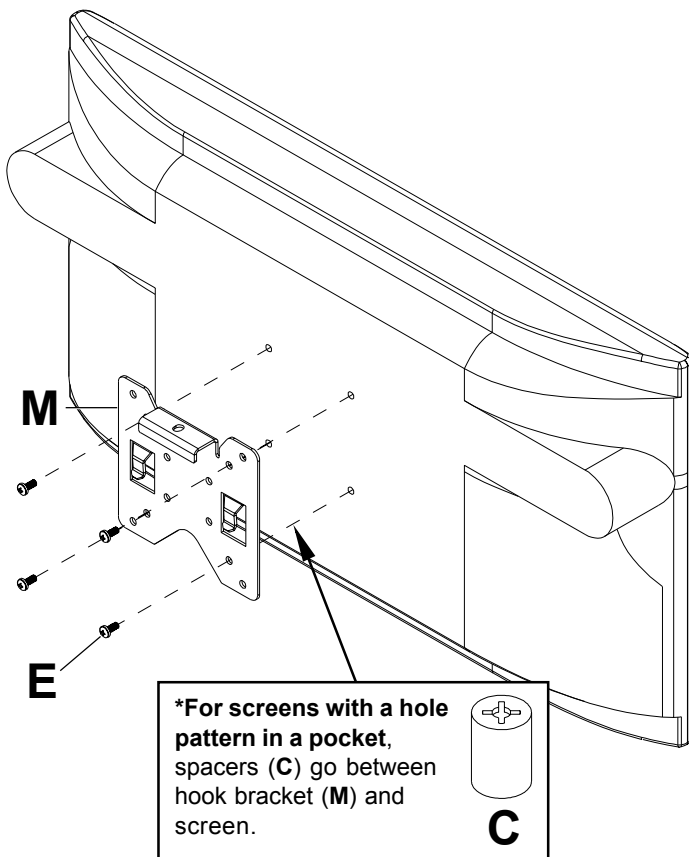
## ⚠ WARNING

- If screws don't get three complete turns in the screen inserts or if screws bottom out and bracket is still not tightly secured, damage may occur to screen or product may fail.

### FOR VESA® 75 MOUNTING PATTERN:

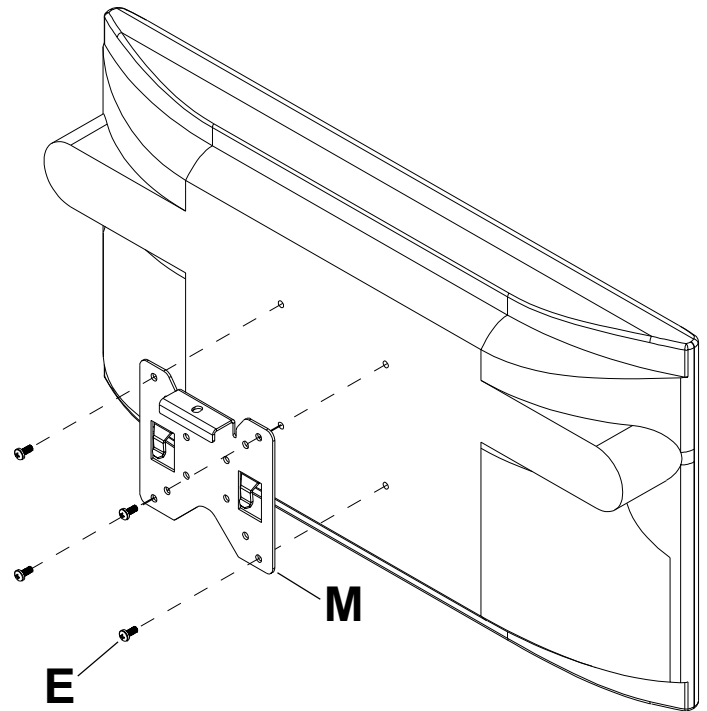
**2** Choose hole pattern as shown below. Attach hook bracket (**M**) to back of screen using four M4 x 10 mm screws (**E**) as shown below.

**\*NOTE:** If hole pattern is in a pocket, attach hook bracket (**M**) to back of screen using four M4 x 20 mm screws (**F**) and four retaining spacers (**C**) as indicated below.



### FOR VESA 100 MOUNTING PATTERN:

Choose hole pattern as shown below. Attach hook bracket (**M**) to back of screen using four M4 x 10 mm screws (**E**) as shown below.



For screen compatibility please refer to the LCD or plasma interface list on our website [www.peerlessmounts.com](http://www.peerlessmounts.com) or call customer care for a screen specific adapter bracket LC or PLP models (not UL evaluated).

## FOR INSTALLING TO PEERLESS LC MODEL ADAPTER BRACKET

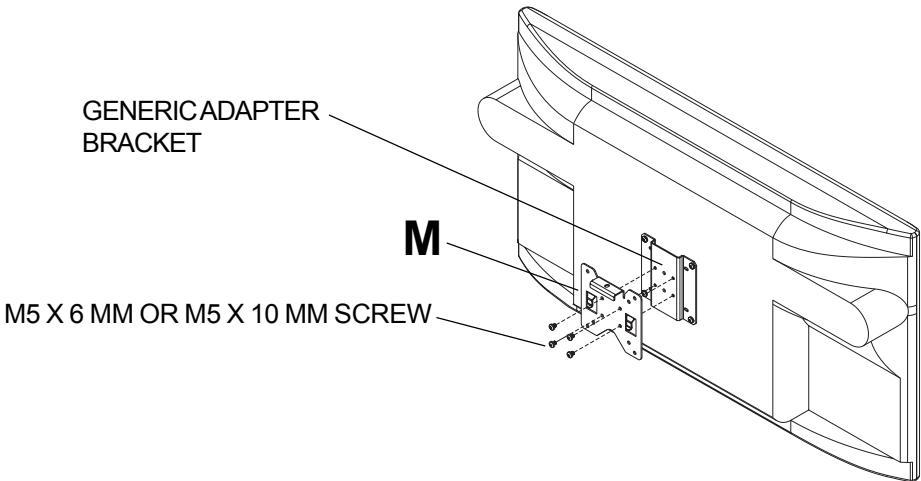
**NOTE:** Refer to LC model adapter bracket instruction sheet for attachment of adapter bracket to screen.

**NOTE:** Either M5 x 6 mm or M5 x 10 mm screws are included with the LC model adapter bracket.

**2** Attach hook bracket (**M**) to adapter bracket using four M5 x 6 mm or M5 x 10 mm screws.

**⚠ WARNING**

- If screws don't get three complete turns in the screen inserts or if screws bottom out and bracket is still not tightly secured, damage may occur to screen or product may fail.

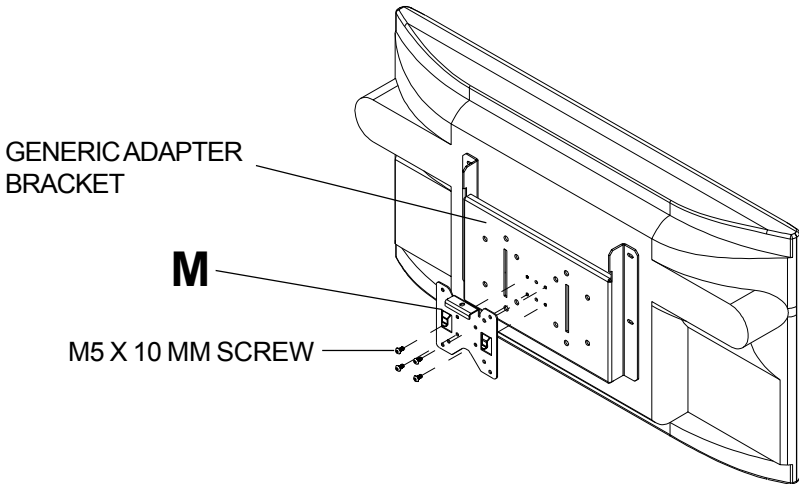


## FOR INSTALLING TO PEERLESS PLP MODEL ADAPTER BRACKET

**NOTE:** Refer to PLP model adapter bracket instruction sheet for attachment of adapter bracket to screen.

**NOTE:** M5 x 10 mm screws are included with the PLP model adapter bracket

**2** Attach hook bracket (**M**) to adapter bracket using four M5 x 10 mm screws.





## Installing and Removing Flat Panel Screen

- 3** To attach screen to wall mount (A), lower hook bracket (M) with screen at an angle into pockets of wall mount as shown in figure 3.1. Once clips are engaged, push down to seat clips in pockets as shown in figure 3.2. Insert and tighten M5 phillips screw (K) to lock screen to wall mount as shown in figure 3.3.

To remove screen from mount, loosen screw (K) and lift screen off of mount.

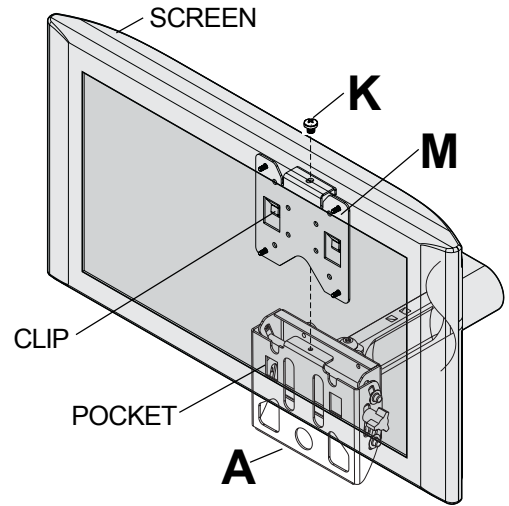


fig. 3.3

### ⚠ WARNING

- Do not lift more weight than you can handle. Use additional man power or mechanical lifting equipment to safely handle placement of the screen.
- Failure to lock hook bracket (M) with screw (K) can cause screen to come off mount if hit accidentally.

### CAUTION

- Do not tighten screws with excessive force. Overtightening can cause damage to mount. Tighten screws to 20 in. • lb (2.26 N.M.) maximum torque.

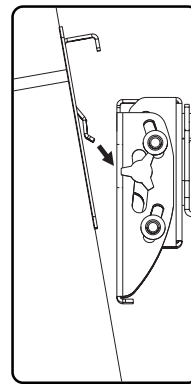


fig. 3.1

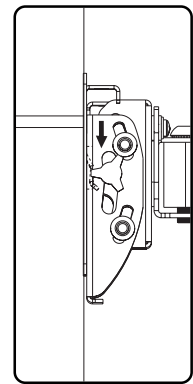


fig. 3.2

- 4** Adjust tension knob on side of mount shown in fig. 4.1 to desired tension to balance your screen size and weight.

Push or pull from top or bottom of screen to adjust tilt as shown. The tilt can be adjusted to a maximum of 15° forward or 5° backward.

### CAUTION

- Do not tighten screws with excessive force. Overtightening can cause damage to mount. Tighten screws to 40 in. • lb (4.5 N.M.) maximum torque.

### ⚠ CAUTION

- Be careful not to pinch fingers when opening and closing mount from the wall.

- 4-1** Roll screen to desired position (5° clockwise or counter-clockwise). Insert #10-32 x 1/2" flat head phillips screw (O) to lock screen into position as shown in figure 4.2.

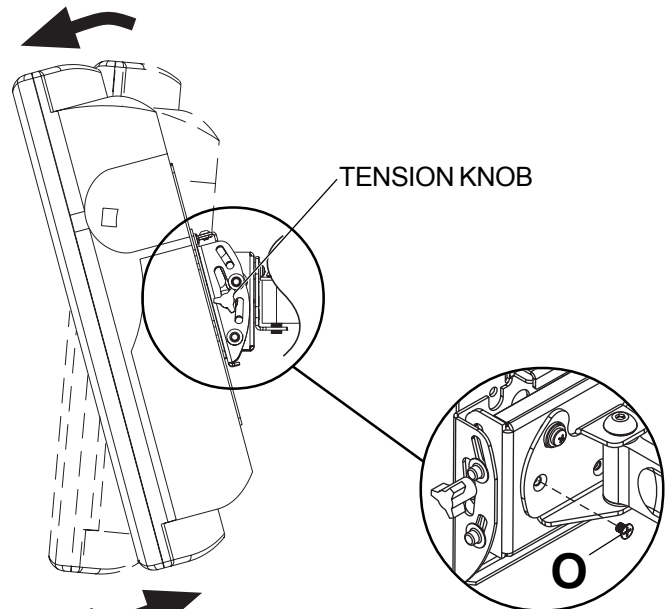
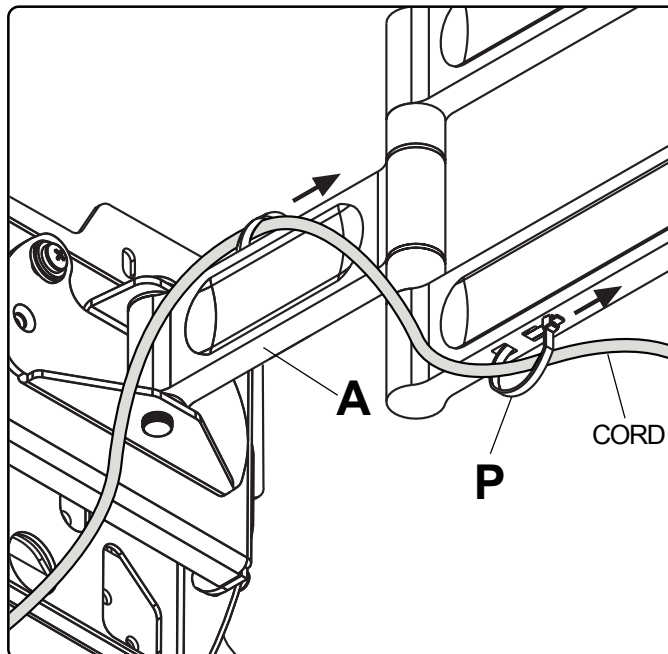


fig. 4.1

fig. 4.2

## Cord Management and Arm Tension Adjustment

- 5** **CORD MANAGEMENT:** Tighten cable to top or bottom of wall mount assembly arm (**A**) using cable ties (**P**).

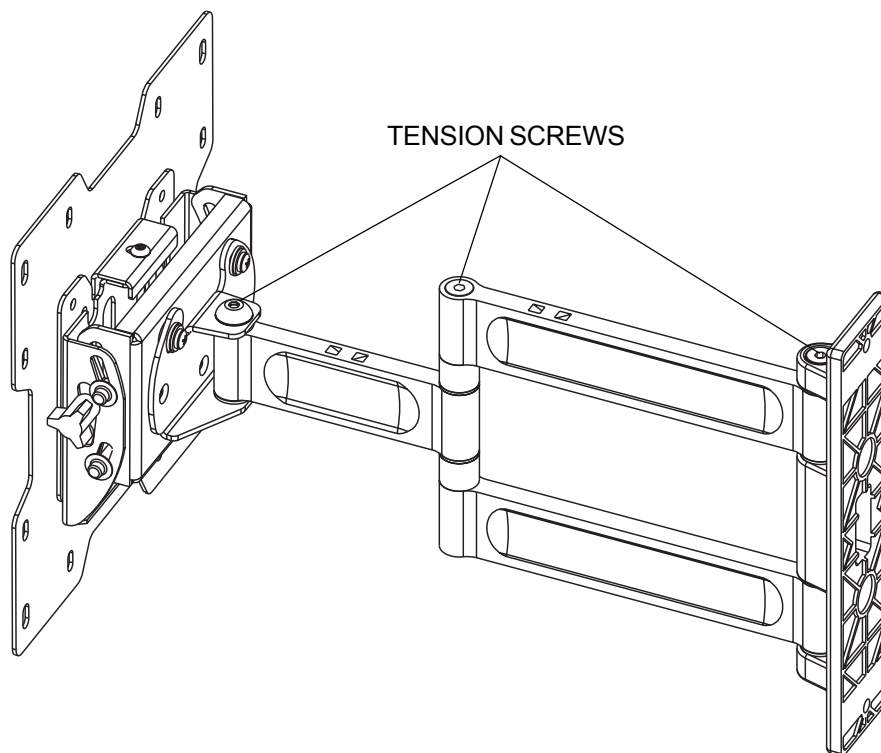


### **⚠ WARNING**

- Do not remove screw or loosen screw until it is no longer engaged with the mount. Doing so may cause the screen to fall.

**ARM TENSION ADJUSTMENT:** If more or less tension is desired in the arm pivot points, do the following:

- To increase tension, turn tension screw(s) clockwise with allen wrench.
- To reduce tension, turn tension screw(s) counter-clockwise with allen wrench. **Do not turn more than half a turn.**



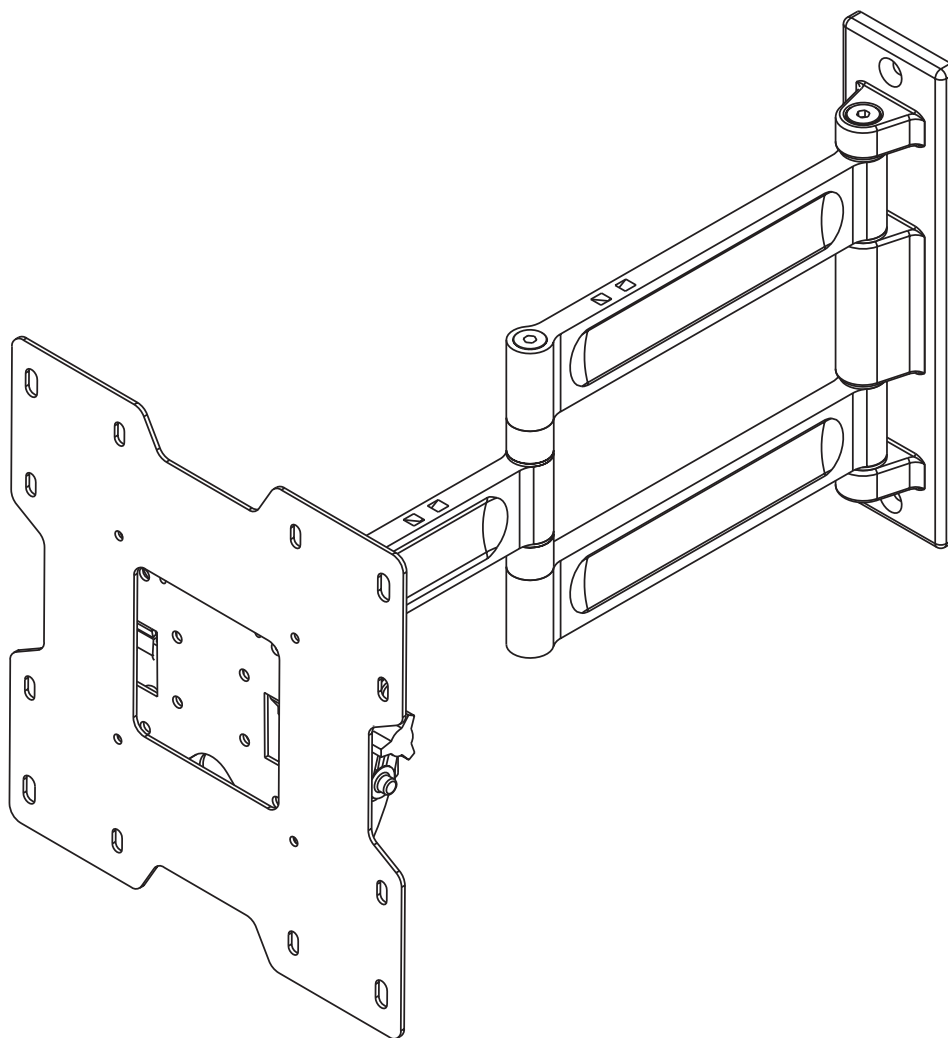
PARAMOUNT<sup>TM</sup> by Peerless

## Instalación y ensamblaje: Soporte giratorio Paramount<sup>TM</sup> para pantallas LCD de 22" a 40"

Modelos: PA740, PA740-S



Este producto lleva la marca de UL (Underwriters Laboratory). Debe ser instalado por un instalador profesional calificado.



### Características:

- Sostiene pantallas LCD de 22" a 40"
- Tiene dos puntos de giro de ajuste tensor para ofrecer una gama de ángulos para ver el televisor
- Es compatible con VESA<sup>®</sup> 75/100/200 x 100/200 x 200
- Despeja espacios al plegarse plano contra la pared

**Máxima capacidad de carga UL:** 80lb (36 kg)

## ⚠ ADVERTENCIA

- No comience a instalar su producto de Peerless hasta haber leído y entendido las instrucciones y las advertencias contenidas en la Hoja de Instalación. Si tiene alguna pregunta acerca de cualquiera de las instrucciones o las advertencias, por favor, llame a Servicio al Cliente de Peerless al 1-800-865-2112.
- Este producto sólo debe ser instalado por una persona que tenga una aptitud mecánica, que tenga experiencia en construcción básica de edificios y que entienda estas instrucciones en su totalidad.
- Asegúrese de que la superficie de apoyo sostendrá, con seguridad, la carga combinada del equipo y todos los fijadores y componentes.
- Nunca sobrepase la capacidad máxima de soportar carga aceptada por Underwriters Laboratories. (Vea la página 11).
- Si va a instalar el producto en una pared con montantes de madera, asegúrese de que los tornillos de montaje estén anclados en el centro de los montantes. Se recomienda utilizar un localizador de montantes de "borde a borde".
- Siempre cuente con la ayuda de un asistente o utilice un equipo mecánico de izar para levantar y colocar el equipo con más seguridad.
- Apriete los tornillos con firmeza, pero no en exceso. Apretarlos en exceso puede dañar los artículos y puede disminuir significativamente su fuerza de fijación.
- Este producto está diseñado para uso en interiores solamente. Utilizar este producto en exteriores podría causar fallas del producto y lesiones a individuos.
- Este producto fue diseñado con la intención de que se instale en las superficies de apoyo marcadas abajo con los accesorios de instalación incluidos en este producto como se especifica en la hoja de instalación. Para instalar este producto en otra superficie de apoyo, llame a Servicio al Cliente de Peerless al 1-800-865-2112.
- Este producto fue diseñado para ser instalado en paredes con la siguiente construcción solamente:

**CONSTRUCCIÓN DE LA PARED**

**ACCESORIOS ADICIONALES NECESARIOS**

- |  |   |
|--|---|
| <input checked="" type="checkbox"/> Montante de madera             | Ninguno   |
| <input checked="" type="checkbox"/> Viga de madera                 | Ninguno   |
| <input checked="" type="checkbox"/> Concreto macizo                | Ninguno   |
| <input checked="" type="checkbox"/> Bloque de hormigón de escorias | Ninguno   |
| <input type="checkbox"/> Montante de metal                         | No lo instale excepto con el juego de accesorios de Peerless para montantes de metal.<br>Llame a Servicio al Cliente para pedir el juego de accesorios de Peerless para montantes de metal. |
| <input type="checkbox"/> Ladrillo                                  | Comuníquese con Servicio al Cliente.  |
| <input type="checkbox"/> ¿Otra superficie o no está seguro?        | Comuníquese con Servicio al Cliente.  |

### Herramientas necesarias para el ensamblaje

- localizador de montantes (se recomienda uno de "borde a borde")
- destornillador phillips
- llave allen de 3/16"
- taladro con brocas de 1/4" y de 5/32"

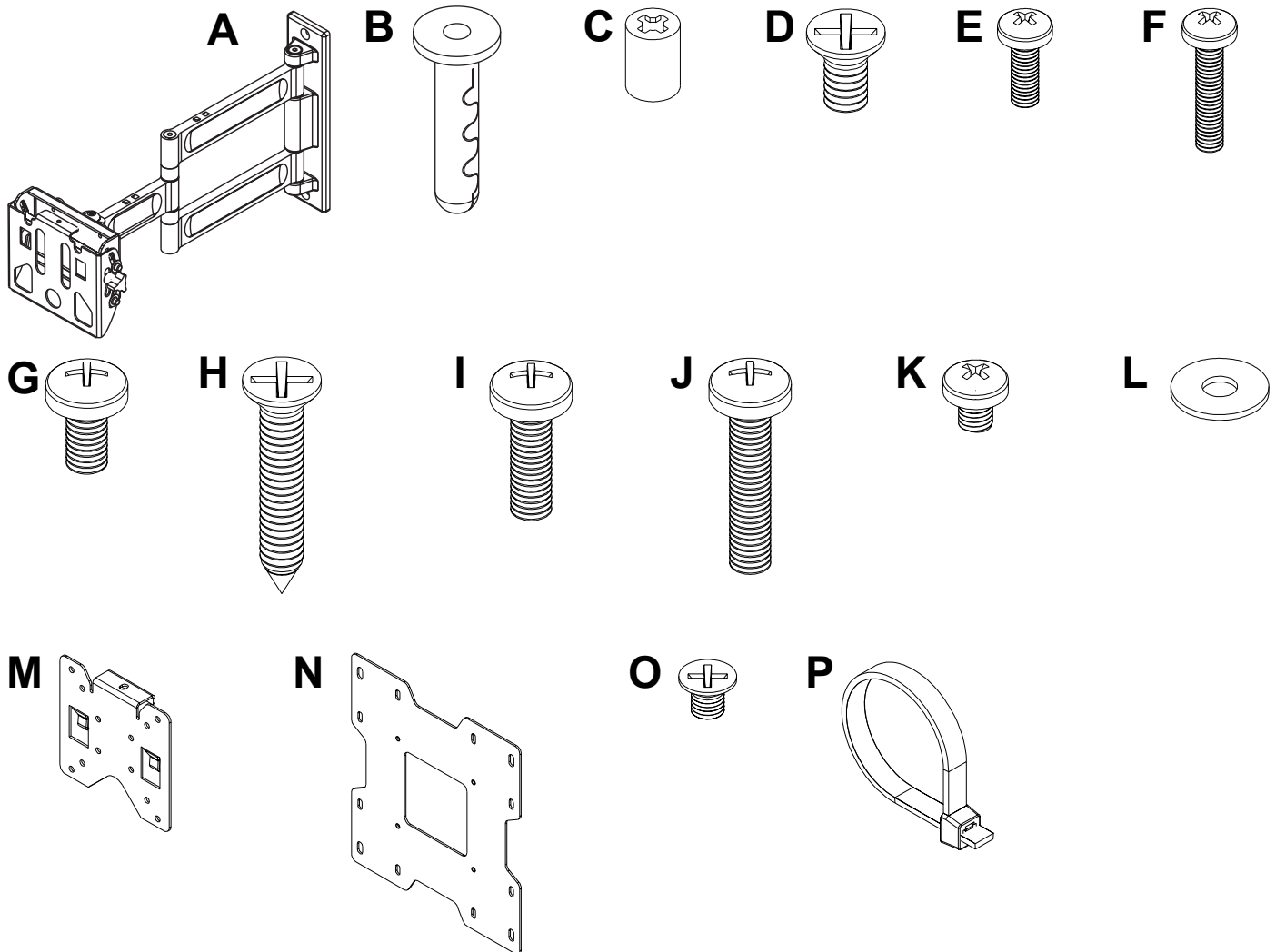
### Tabla de contenido

Lista de piezas .....	13
Instalación en una pared con montantes de madera .....	14
Instalación en una pared de concreto macizo o de bloques de hormigón de escorias .....	15

Para recibir servicio al cliente, llame al (800) 865-2112 o al (708) 865-8870.

Lista de piezas			PA740	PA740-S
Descripción		Cantidad	N.o de pieza	N.o de pieza
<b>A</b>	unidad del soporte de pared	1	095-0546-GB	095-0546-SS
<b>B</b>	anclaje alligator®	2	590-0097	590-0097
<b>C</b>	espaciador de retención	4	590-5005	590-5003
<b>D</b>	tornillo phillips de cabeza plana de 1/4"-20 x 1/2"	2	520-1209	520-2178
<b>E</b>	tornillo phillips M4 x 10 mm	4	504-9012	520-2027
<b>F</b>	tornillo phillips M4 x 20 mm	4	504-9020	504-2014
<b>G</b>	tornillo phillips M6 x 12 mm	4	520-1128	520-2039
<b>H</b>	tornillo phillips de cabeza plana para madera de 14-20 x 1/2"	2	520-1202	520-2165
<b>I</b>	tornillo phillips M6 x 20 mm	4	520-9402	520-2040
<b>J</b>	tornillo phillips M6 x 30 mm	4	510-9109	520-2042
<b>K</b>	tornillo phillips M5 x 6 mm	5	520-1023	520-2214
<b>L</b>	arandela plana N.º 10	4	540-9400	540-9442
<b>M</b>	soporte de gancho	1	095-P1346	095-S4346
<b>N</b>	placa adaptadora	1	095-P1322	095-S4322
<b>O</b>	tornillo phillips de cabeza plana para madera de 10-32 x 1/4"	1	520-1108	520-2108
<b>P</b>	sujetacables	3	560-1725	560-2007

Las piezas podrían verse ligeramente diferentes a las ilustradas.



## ⚠ ADVERTENCIA

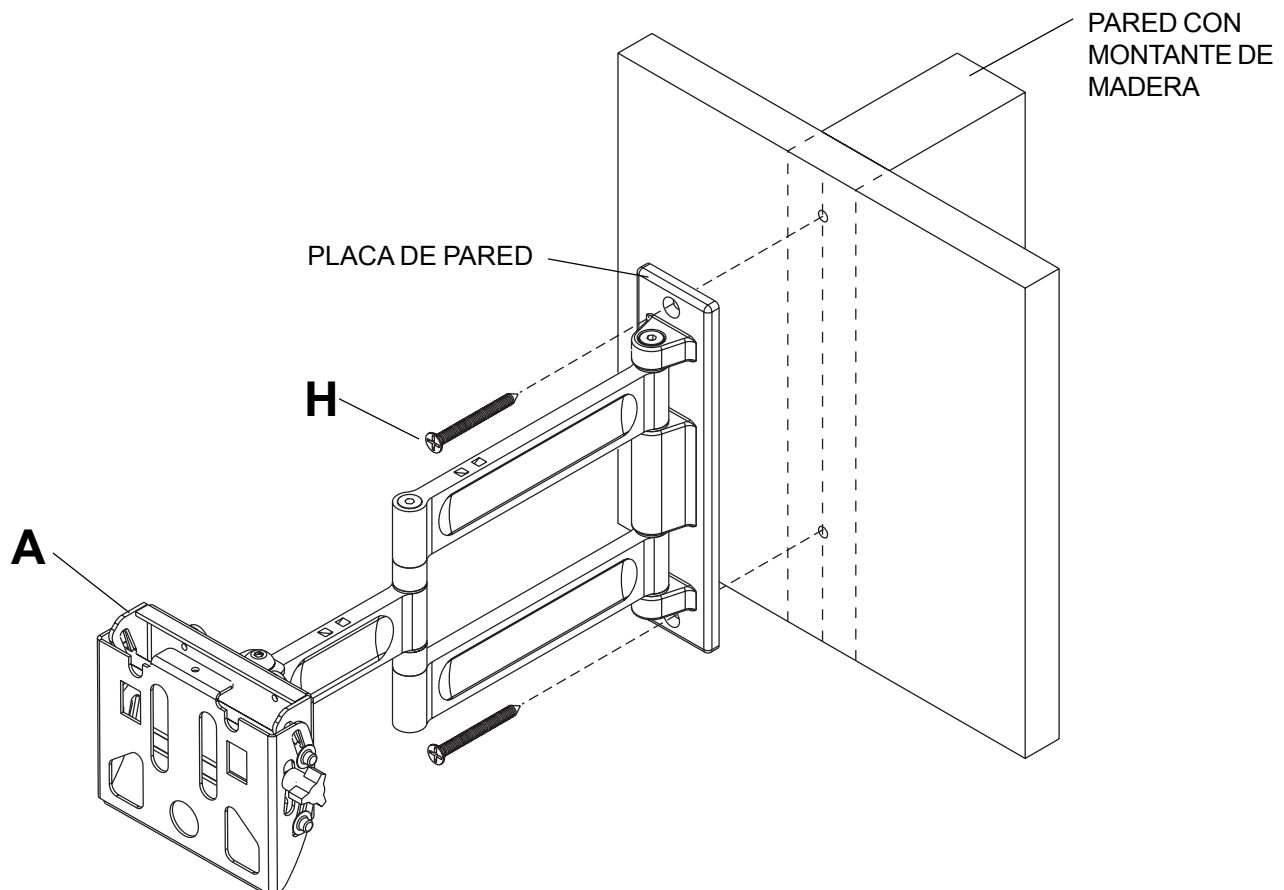
- Asegúrese de que la superficie de apoyo sostendrá, con seguridad, la carga combinada del equipo y todos los fijadores y componentes.

- 1 Utilizando un localizador de montantes, localice y marque los bordes del montante de madera utilizado para instalar el producto. Se recomienda utilizar un localizador de montantes de "borde a borde". Utilice un nivel para trazar una línea vertical por el centro del montante. Utilice la placa de pared como plantilla para marcar el centro de los agujeros sobre la línea vertical. Taladre dos agujeros de 5/32" (4 mm) de diámetro y 2.5" (65 mm) de profundidad. Fije el soporte de pared (A) a la pared utilizando dos tornillos para madera de cabeza plana de 14 x 2.5" (H), como se muestra.

*Pase al paso 2 de la página 16.*

## ⚠ ADVERTENCIA

- Apriete los tornillos de manera que la placa de pared se fije firmemente, pero no en exceso. Apretarlos en exceso puede dañar los tornillos y puede disminuir significativamente su fuerza de fijación.
- Nunca apriete a más de 80 pulg-lb (9 N•m).
- Asegúrese de que los tornillos de montaje estén anclados en el centro de los montantes. Se recomienda utilizar un localizador de montantes de "borde a borde".



## ⚠ ADVERTENCIA

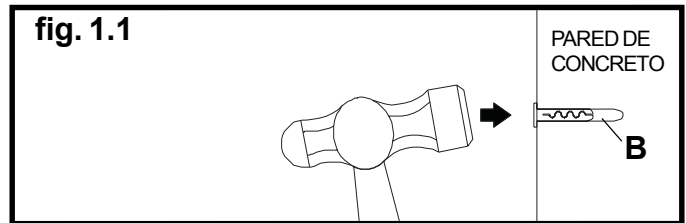
- Cuando vaya a instalar soportes de pared de Peerless en bloques de hormigón de escorias, asegúrese de que cuente con una capa de concreto de un grosor mínimo de 1-3/8" en el agujero, que pueda usar para los anclajes para concreto. ¡No taladre en juntas de argamasa! Asegúrese de hacer la instalación en la parte sólida del bloque, por lo general, a un mínimo de 1" del extremo del bloque. Los bloques de hormigón de escorias tienen que cumplir las especificaciones de la ASTM C-90. Se sugiere utilizar un taladro eléctrico convencional a baja velocidad para hacer el agujero en vez de un taladro percutor para no perforar el fondo del agujero al entrar en un vacío o una cavidad.
- El concreto tiene que tener una densidad mínima de 2,000 psi. Es posible que un concreto de menos densidad no sostenga el anclaje para concreto.
- Asegúrese de que la superficie de apoyo sostendrá, con seguridad, la carga combinada del equipo y todos los fijadores y componentes.

**1** Nivela y utilice la placa de pared como plantilla para marcar el centro de los agujeros. Taladre dos agujeros de 1/4" (6 mm) de diámetro a una profundidad mínima de 2.5" (64 mm). Inserte los anclajes (B) en los agujeros a ras con la pared, como se muestra en la figura 1.1. Coloque el soporte de pared (A) sobre los anclajes y fíjelo con los tornillos para madera (H), como se muestra en la figura 1.2 y en la figura 1.4. Asegúrese de que el soporte de pared esté nivelado y ajuste todos los sujetadores. Vea la figura 1.3.

## ⚠ ADVERTENCIA

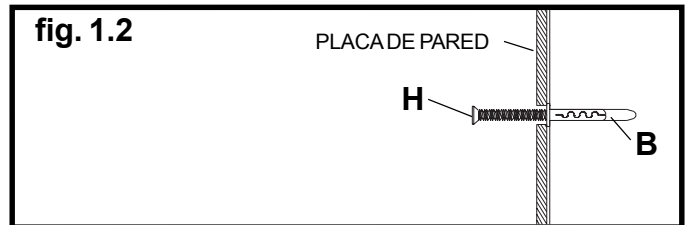
- Apriete los tornillos de manera que la placa de pared se fije firmemente, pero no en exceso. Apretarlos en exceso puede dañar los tornillos y puede disminuir significativamente su fuerza de fijación.
- Nunca apriete a más de 80 pulg-lb (9 N•m).
- Los anclajes para concreto **no** son para hacer instalaciones en paredes de concreto recubiertas con capas de yeso, yeso-cartón u otro material de acabado, como se muestra abajo. Si es inevitable hacer la instalación en una pared de concreto recubierta con yeso o yeso-cartón, la superficie de acabado (de un grosor máximo de hasta 5/8") tiene que ser escariada, como se muestra abajo. Asegúrese de que los anclajes para concreto no se separen del concreto cuando apriete los tornillos. Si el yeso o el yeso-cartón tiene un grosor mayor que 5/8", el instalador tiene que suministrar sujetadores especiales (no evaluados por UL).

fig. 1.1



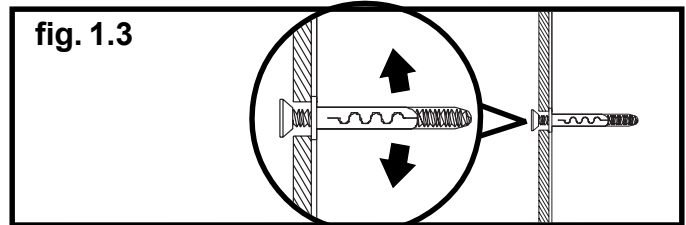
Taladre los agujeros e inserte los anclajes (B).

fig. 1.2



Coloque la placa de pared sobre el anclaje (B) y fíjela con el tornillo (H).

fig. 1.3



Apriete todos los sujetadores.

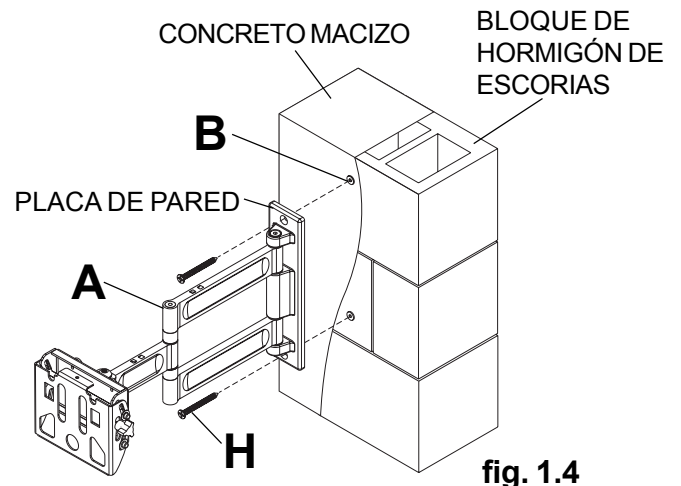
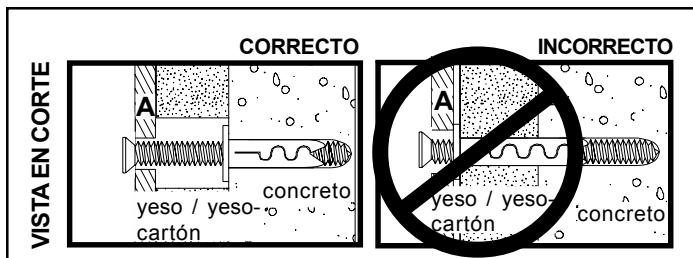


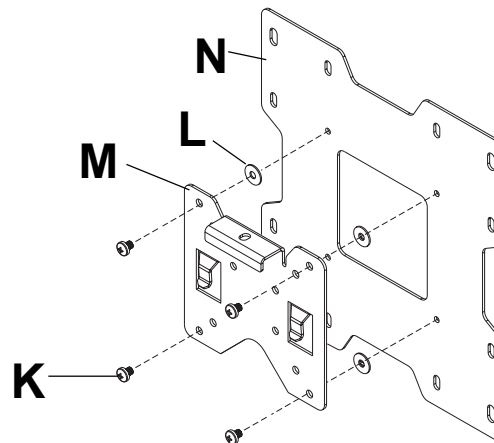
fig. 1.4



## Fijación de la placa adaptadora a pantallas con configuraciones de montaje VESA® 200 x 100 ó 200 x 200

**NOTA:** En el caso de las configuraciones de montaje VESA® 75 mm y 100 mm, pase a la próxima página.

- 2** Fije el soporte de gancho (M) a la placa adaptadora (N) usando cuatro tornillos de M5 x 6 mm (K) y cuatro arandelas N.º 10 (L), como se muestra.



### ⚠ ADVERTENCIA

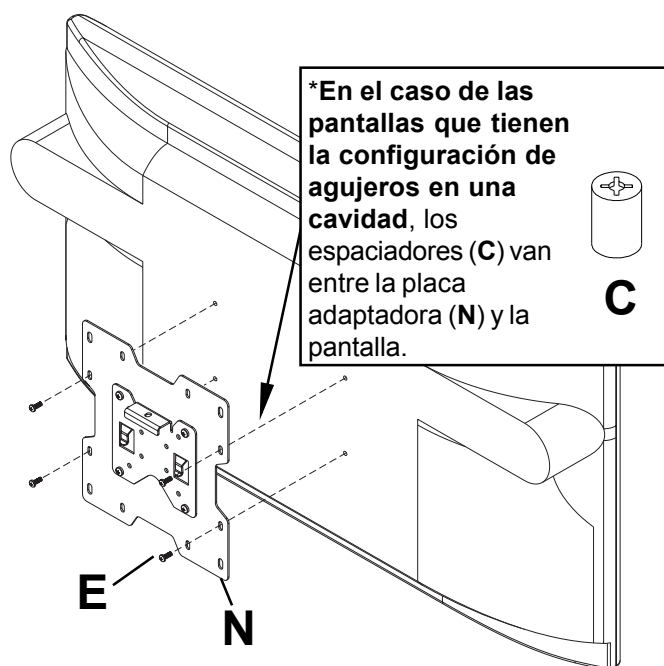
- Si no se les da tres vueltas completas a los tornillos en los insertos de la pantalla o si los tornillos topan fondo y la placa adaptadora todavía no está firme, se podría dañar la pantalla o el producto podría no funcionar bien.

#### **2-1** EN EL CASO DE LA CONFIGURACIÓN DE MONTAJE VESA® 200 x 100:

Escoja un patrón de agujeros, como se muestra abajo. Fije la placa adaptadora (N) a la parte trasera de la pantalla usando cuatro tornillos de M4 x 10 mm (E), como se muestra abajo.

**\*NOTA:** Si el tornillo (E) enrosca menos de tres vueltas, fije la placa adaptadora (N) a la parte trasera de la pantalla usando cuatro tornillos de M4 x 20 mm (F) y cuatro espaciadores (C), como se indica abajo.

Pase al paso 3 de la página 19.

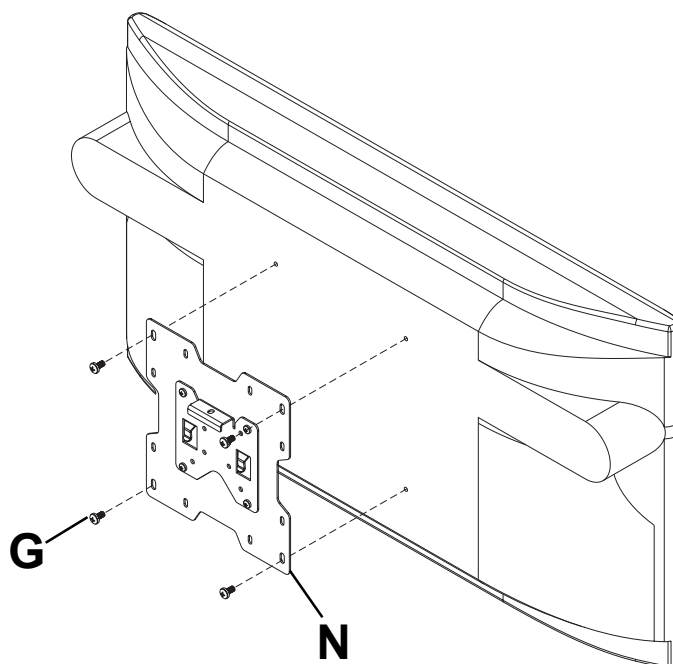


#### EN EL CASO DE LA CONFIGURACIÓN DE MONTAJE VESA® 200 x 200:

Escoja un patrón de agujeros, como se muestra abajo. Fije la placa adaptadora (N) a la parte trasera de la pantalla usando cuatro tornillos de M6 x 12 mm (G), como se muestra abajo.

**\*NOTA:** Si los tornillos (G) enrosca menos de tres vueltas, fije la placa adaptadora (N) a la parte trasera de la pantalla utilizando cuatro tornillos de M6 x 20 mm (I). Si los tornillos (I) todavía enrosca menos de tres vueltas, use cuatro tornillos de M6 x 30 mm (J).

Pase al paso 3 de la página 19.





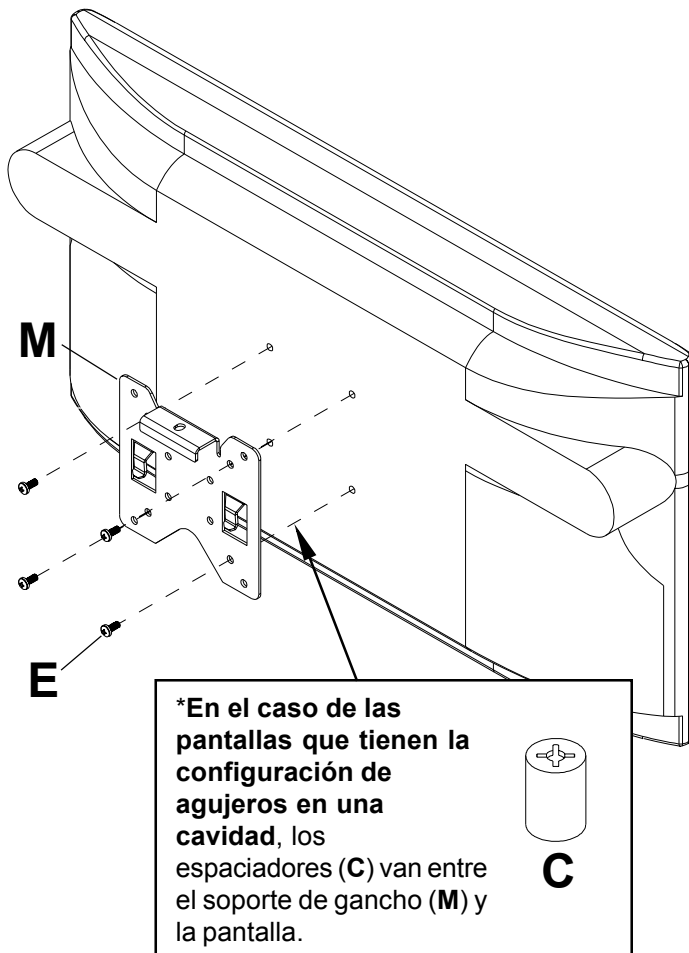
## ⚠ ADVERTENCIA

- Si no se les da tres vueltas completas a los tornillos en los insertos de la pantalla o si los tornillos topan fondo y el soporte todavía no está firme, se podría dañar la pantalla o el producto podría no funcionar bien.

### 2 EN EL CASO DE LA CONFIGURACIÓN DE MONTAJE VESA® 75:

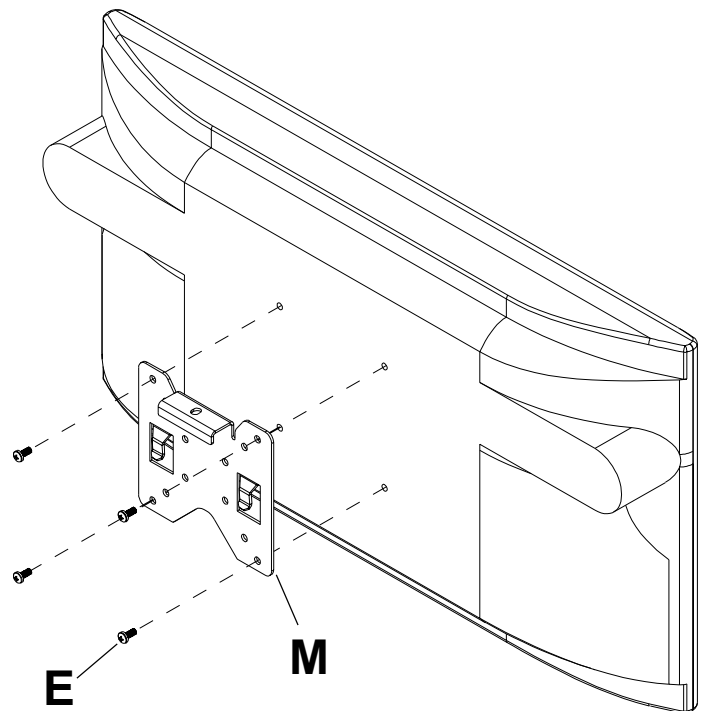
Escoja un patrón de agujeros, como se muestra abajo. Fije el soporte de gancho (M) a la parte trasera de la pantalla usando cuatro tornillos de M4 x 10 mm (E), como se muestra abajo.

**\*NOTA:** Si la configuración de agujeros está en una cavidad, fije el soporte de gancho (M) a la parte trasera de la pantalla usando cuatro tornillos de M4 x 20 mm (F) y cuatro espaciadores de retención (C), como se indica abajo.



### EN EL CASO DE LA CONFIGURACIÓN DE MONTAJE VESA® 100:

Escoja un patrón de agujeros, como se muestra abajo. Fije el soporte de gancho (M) a la parte trasera de la pantalla usando cuatro tornillos de M4 x 10 mm (E), como se muestra abajo.



Para ver una tabla de las pantallas compatibles, consulte la lista de interface de pantallas de LCD o de plasma en nuestra página web [www.peerlessmounts.com](http://www.peerlessmounts.com) o llame a servicio al cliente para preguntar sobre el soporte adaptador del modelo LC o PLP para una pantalla en específico (no evaluados por UL).

## PARA INSTALAR EN EL SOPORTE ADAPTADOR MODELO LC DE PEERLESS

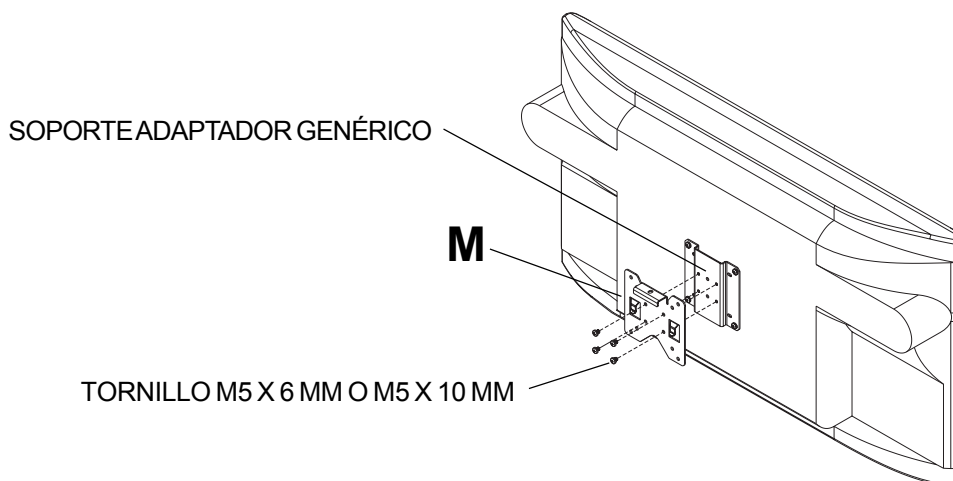
**NOTA:** Consulte la hoja de instrucciones del soporte adaptador modelo LC para saber cómo fijar el soporte adaptador a la pantalla.

**NOTA:** Se incluyen ya sea los tornillos de M5 x 6 mm o de M5 x 10 mm con el soporte adaptador modelo LC.

### ⚠ ADVERTENCIA

- Si no se les da tres vueltas completas a los tornillos en los insertos de la pantalla o si los tornillos topan fondo y el soporte todavía no está firme, se podría dañar la pantalla o el producto podría no funcionar bien.

**2** Fije el soporte de gancho (**M**) al soporte adaptador usando cuatro tornillos de M5 x 6 mm o de M5 x 10 mm.

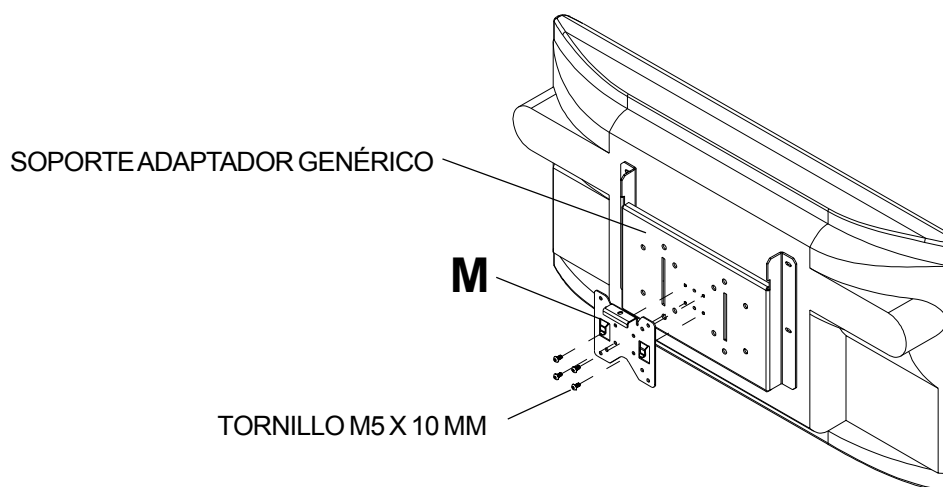


## PARA INSTALAR EN EL SOPORTE ADAPTADOR MODELO PLP DE PEERLESS

**NOTA:** Consulte la hoja de instrucciones del soporte adaptador modelo PLP para saber cómo fijar el soporte adaptador a la pantalla.

**NOTA:** Se incluyen los tornillos de M5 x 10 mm con el soporte adaptador modelo PLP.

**2** Fije el soporte de gancho (**M**) al soporte adaptador usando cuatro tornillos de M5 x 10 mm.



## Instalación y desinstalación de la pantalla plana

- 3** Para fijar la pantalla al soporte de pared (A), sujetando la pantalla en un ángulo, lleve el soporte de gancho (M) hacia abajo para que entre en las cavidades del soporte de pared, como se muestra en la figura 3.1. Una vez los clips entren en la cavidad, empuje hacia abajo para que se afiancen, como se muestra en la figura 3.2. Inserte y apriete un tornillo phillips M5 (K) para trabar la pantalla en el soporte de pared, como se muestra en la figura 3.3.

Para quitar la pantalla del soporte, afloje el tornillo (K) y levante la pantalla para sacarla del soporte.

### ⚠ ADVERTENCIA

- No levante más peso del que puede manejar. Cuenten con otra persona que lo ayude o utilice un equipo mecánico de izar para levantar y colocar la pantalla con seguridad.
- No trabar el soporte de gancho (M) con el tornillo (K) puede causar que la pantalla se caiga del soporte si recibe un golpe accidental.

### ATENCIÓN

- No apriete los tornillos con fuerza excesiva. Apretarlos en exceso puede dañar el soporte. Apriete los tornillos a un máximo de 20 pulg-lb (2.26 N•m) de par torsor.

- 4** Ajuste la perrilla de tensión que se encuentra en el lado del soporte que se muestra en la figura 4.1 al grado de tensión deseado para balancear el tamaño y el peso de la pantalla.

Mueva la parte superior o la parte inferior de la pantalla tirando de la misma o empujándola para ajustar la inclinación, como se muestra. La inclinación se puede ajustar hasta un máximo de 15° hacia delante o de 5° hacia atrás.

### ⚠ ATENCIÓN

- No apriete los tornillos con fuerza excesiva. Apretarlos en exceso puede dañar el soporte. Apriete los tornillos a un máximo de 40 pulg-lb (4.5 N•m) de par torsor.
- Tenga cuidado de no pincharse los dedos cuando extienda y recoja el soporte contra la pared.

- 4-1** Rote la pantalla hasta la posición deseada (5° en el sentido del movimiento de las manecillas del reloj o en el sentido contrario). Inserte un tornillo phillips de cabeza plana de 10-32 x 1/2" (O) para trabar la posición de la pantalla, como se muestra en la figura 4.2.

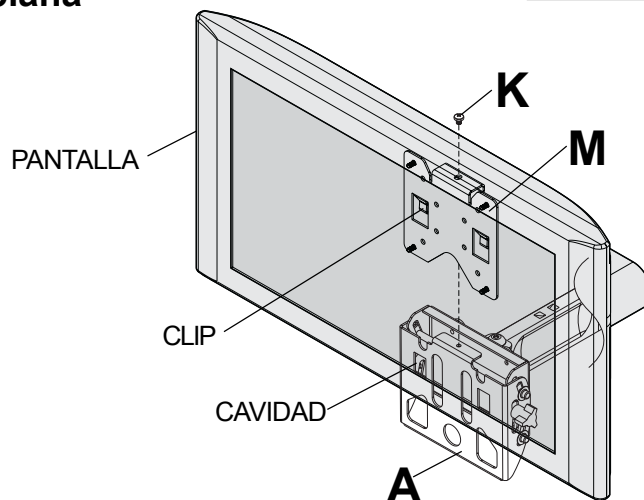


fig. 3.3

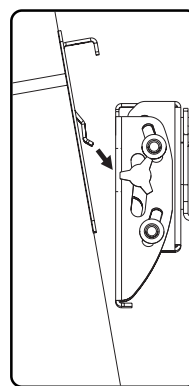


fig. 3.1

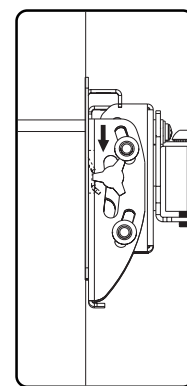


fig. 3.2

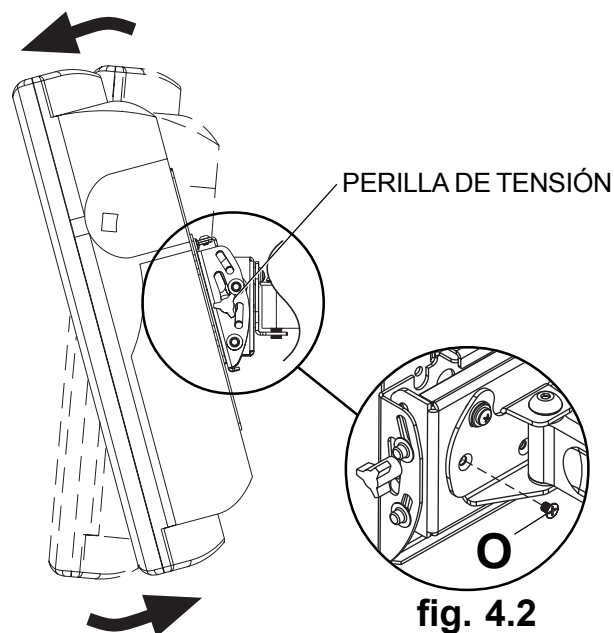
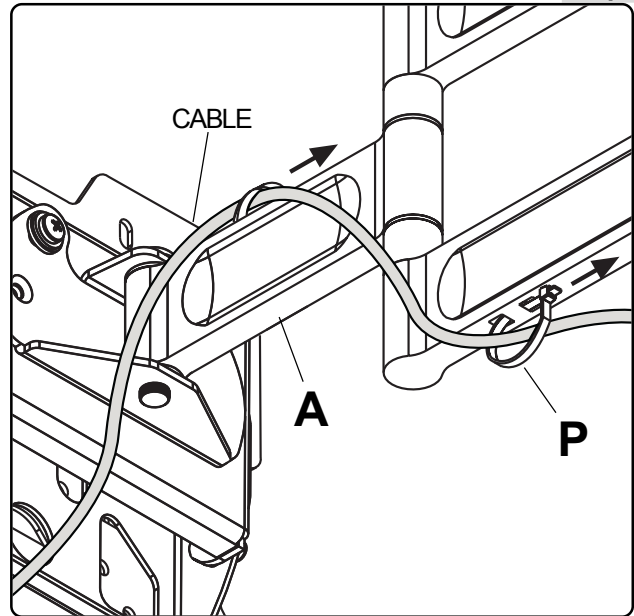


fig. 4.1

fig. 4.2

- 5 MANEJO DE CABLES:** Amarre el cable a la parte superior o inferior del brazo de la unidad del soporte de pared (A) utilizando el sujetacables (P).

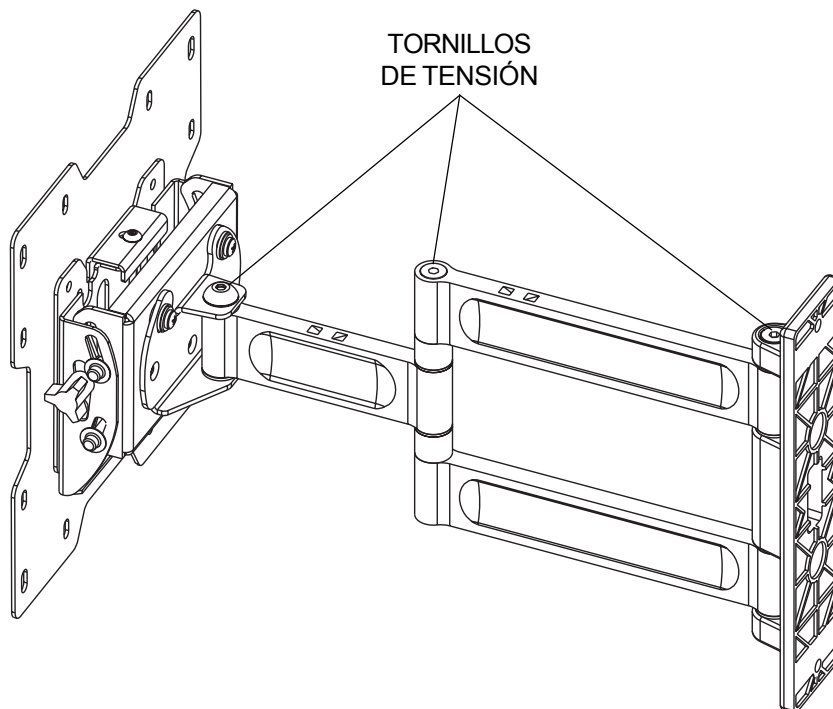


## ⚠ ADVERTENCIA

- No quite ni afloje el tornillo hasta que ya no esté enganchado al soporte. Hacerlo podría causar que se caiga la pantalla.

**AJUSTE TENSOR DEL BRAZO:** Si desea más o menos tensión en los puntos giradores del brazo, haga lo siguiente:

- Para aumentar la tensión, gire el tornillo o los tornillos de tensión en el sentido del movimiento de las manecillas del reloj con la llave allen.
- Para disminuir la tensión, gire el tornillo o los tornillos de tensión en el sentido contrario al movimiento de las manecillas del reloj con la llave allen. **No lo gire más de media vuelta.**

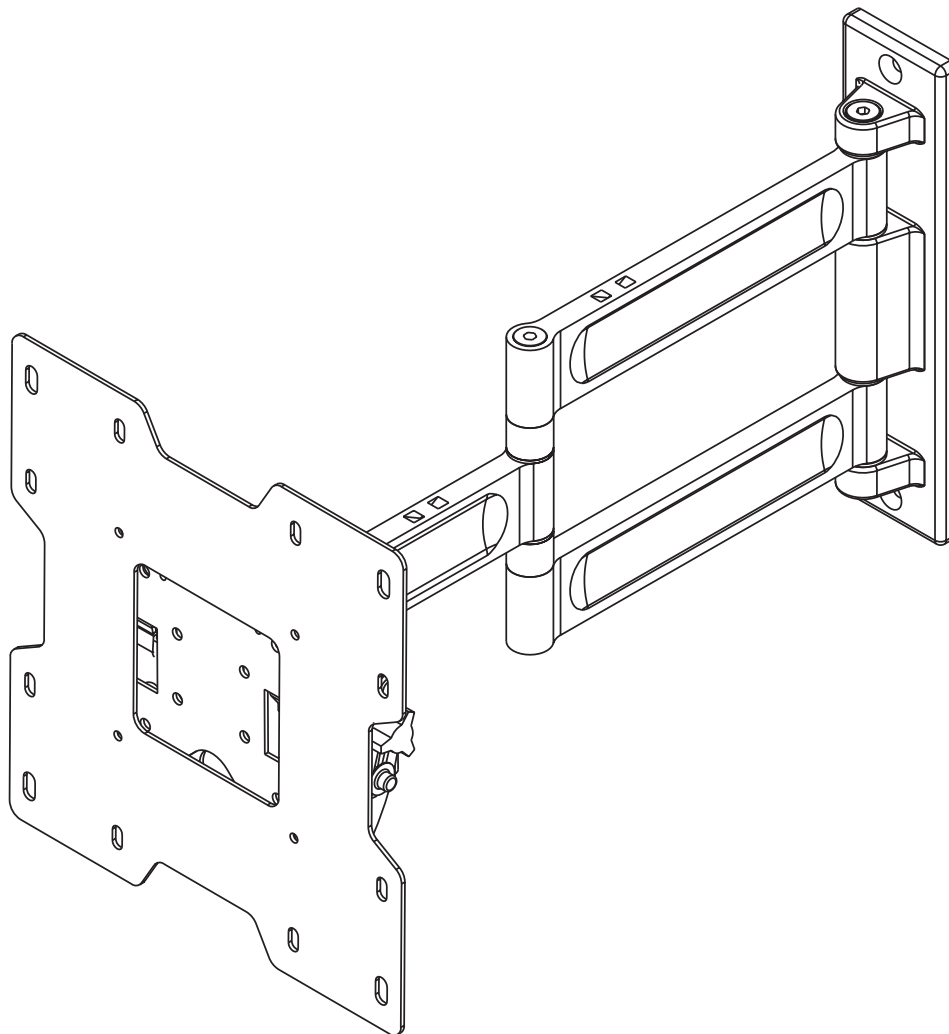


## Installation et montage : Support pivotant Paramount<sup>TM</sup> pour écrans ACL de 22 à 40 po

Modèles: PA740, PA740-S



Ce produit est homologué UL. Il doit être installé par un installateur professionnel qualifié.



### Caractéristiques :

- Convient aux écrans ACL de 22 à 40 po
- Deux points de pivotement pouvant être tensionnés pour un réglage étendu de l'angle de visionnement
- Compatible avec la norme VESA® 75/100/200 x 100/200 x 200
- Libère de l'espace en se repliant à plat contre le mur

**Capacité de charge maximale  
préconisée par UL: 80lb (36 kg)**

## ⚠ AVERTISSEMENT

- Ne commencez pas à installer votre produit Peerless avant d'avoir lu et assimilé les instructions et les mises en garde contenues dans cette fiche d'installation. Pour toute question concernant les instructions ou les mises en garde, appelez le service à la clientèle de Peerless au 1-800-865-2112.
- Ce produit ne doit être installé que par une personne ayant de bonnes aptitudes en mécanique, expérimentée en travaux de construction élémentaires, et démontrant une parfaite compréhension de ces instructions.
- Assurez-vous que la surface de support pourra soutenir sans danger la charge combinée de l'équipement, de toute sa visserie et de tous ses composants.
- Ne dépassez jamais la capacité de charge maximum établie par l'UL. Reportez-vous à la page 21.
- Si vous effectuez le montage sur un mur à montants en bois, assurez-vous que les vis de montage sont ancrées au centre des montants. L'usage d'un localisateur « bord à bord » est fortement conseillé.
- Pour lever et positionner l'équipement en toute sécurité, faites-vous toujours aider par une autre personne ou utilisez un matériel de levage mécanique.
- Serrez fermement les vis, mais sans excès. Un serrage excessif peut endommager les éléments et en réduire considérablement le pouvoir de maintien.
- Ce produit est conçu uniquement pour un usage intérieur. L'utilisation de ce produit à l'extérieur peut causer une défaillance du produit et des blessures corporelles.
- Ce produit a été conçu et prévu pour être monté sur les surface de support mentionnées ci-après ; la visserie incluse dans ce produit est celle spécifiée sur la fiche d'installation. Pour monter ce produit sur une autre surface de support, adressez-vous au service clientèle de Peerless au 1-800-865-2112.
- Ce produit a été conçu pour être installé sur le type de mur suivant uniquement :

**TYPE DE MUR**

**VISSERIE SUPPLÉMENTAIRE REQUISE**

<input checked="" type="checkbox"/> Montant en bois	Aucune
<input checked="" type="checkbox"/> Poutre en bois	Aucune
<input checked="" type="checkbox"/> Béton plein	Aucune
<input checked="" type="checkbox"/> Bloc de béton de mâchefer	Aucune
<input type="checkbox"/> Montant métallique	Ne fixer qu'avec le kit d'accessoires Peerless pour montants métalliques Adressez-vous au service clientèle pour vous procurer le kit d'accessoires Peerless pour montants métalliques.
<input type="checkbox"/> Brique	Adressez-vous au service clientèle
<input type="checkbox"/> Autre, ou vous n'êtes pas sûr ?	Adressez-vous au service clientèle

## Outils nécessaires au montage

- localisateur de montants (un localisateur de montants « bord à bord » est recommandé.)
- tournevis cruciforme
- clé hexagonale de 3/16 po
- perceuse avec forets de 1/4 po et 5/32 po

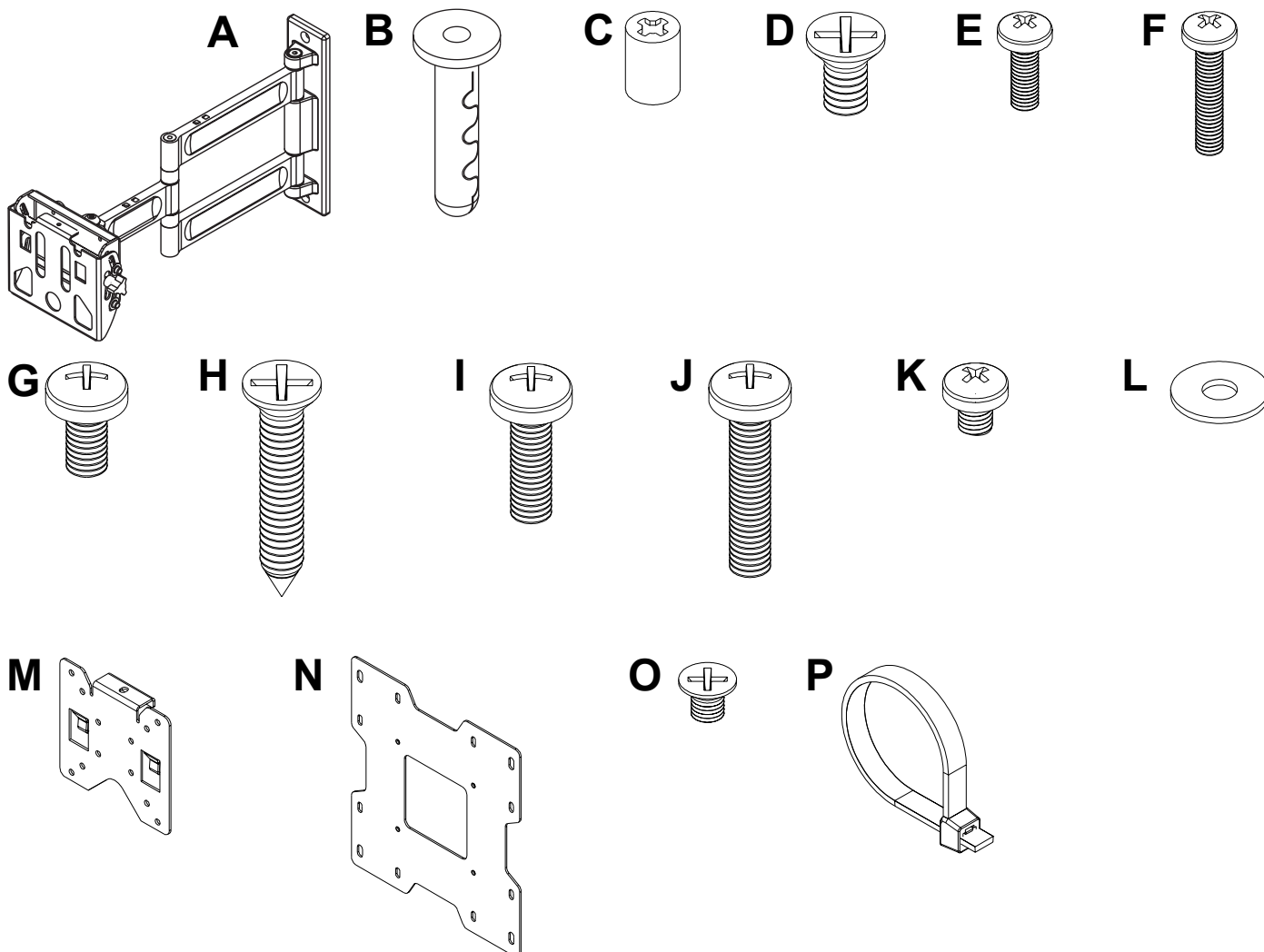
## Table des matières

Liste des pièces .....	23
Installation sur des murs à montants en bois .....	24
Installation sur du béton plein et du bloc de béton .....	25

*Pour contacter le service à la clientèle, composez le 800-865-2112 ou le 708-865-8870.*

# Liste des pièces

Description	Qté	PA740 Pièce no	PA740-S Pièce no
<b>A</b> support mural	1	095-0546-GB	095-0546-SS
<b>B</b> ancrage Alligator®	2	590-0097	590-0097
<b>C</b> entretoise	4	590-5005	590-5003
<b>D</b> vis Phillips à tête plate 1/4-20 x 1/4 po	2	520-1209	520-2178
<b>E</b> vis Phillips M4 x 10 mm	4	504-9012	520-2027
<b>F</b> vis Phillips M4 x 20 mm	4	504-9020	504-2014
<b>G</b> vis Phillips M6 x 12 mm	4	520-1128	520-2039
<b>H</b> vis à bois à tête plate no 14 x 2-1/2 po	2	520-1202	520-2165
<b>I</b> vis Phillips M6 x 20 mm	4	520-9402	520-2040
<b>J</b> vis Phillips M6 x 30 mm	4	510-9109	520-2042
<b>K</b> vis Phillips M5 x 6 mm	5	520-1023	520-2214
<b>L</b> rondelle plate no 10	4	540-9400	540-9442
<b>M</b> support d'accrochage	1	095-P1346	095-S4346
<b>N</b> plaque d'adaptation	1	095-P1322	095-S4322
<b>O</b> vis Phillips à tête plate no 10 x 32 x 1/4 po	1	520-1108	520-2108
<b>P</b> attache de câble	3	560-1725	560-2007



## ⚠ AVERTISSEMENT

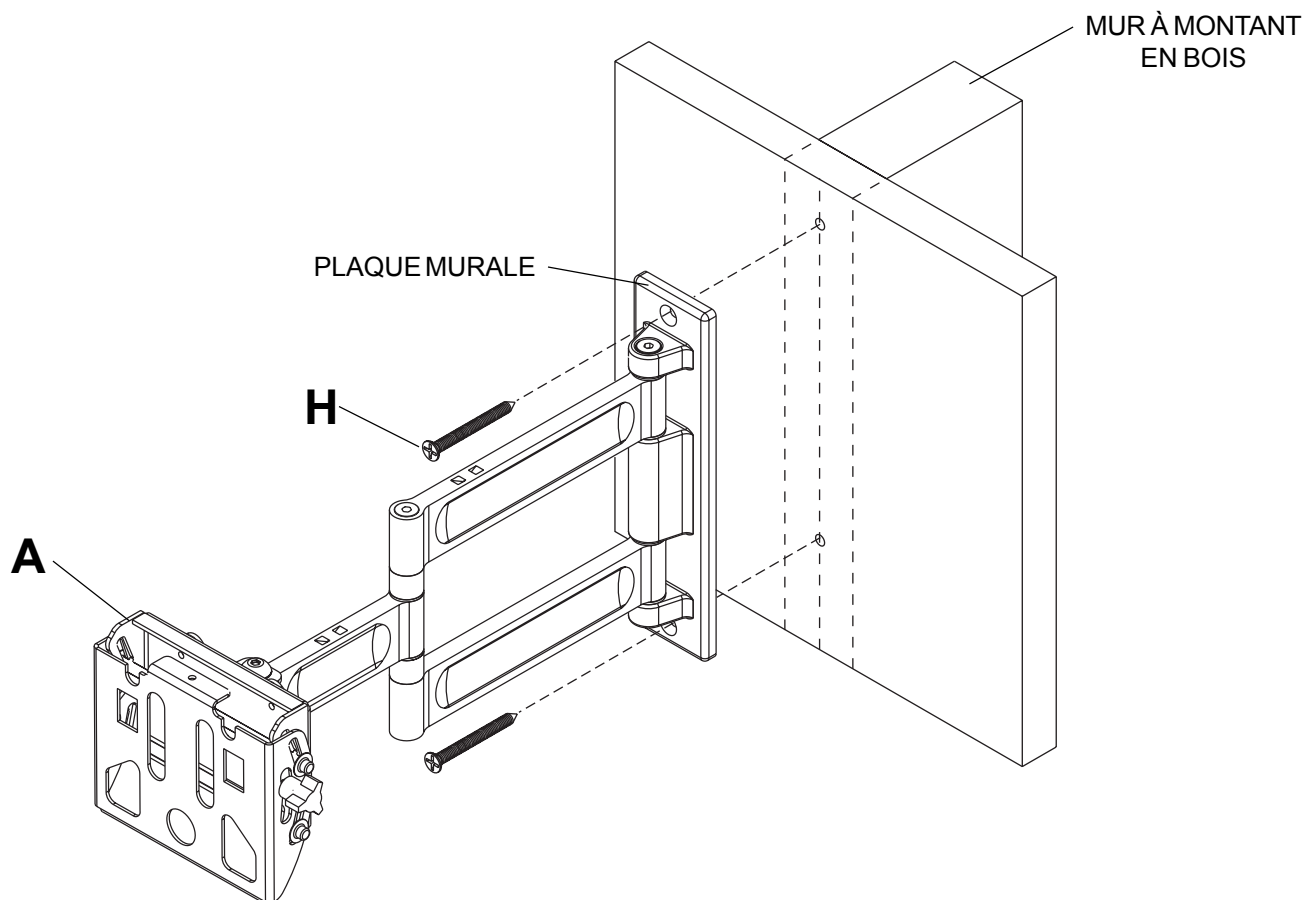
- Assurez-vous que la surface de support puisse soutenir sans danger la charge totale de l'équipement ainsi que des pièces et composants qui y sont attachés.

- 1 À l'aide d'un localisateur de montants, repérez et marquez les bords du montant en bois utilisé pour installer ce support. L'utilisation d'un localisateur de montants « bord à bord » est fortement recommandée. À l'aide d'un niveau, tracez une ligne verticale le long du centre du montant. Utilisez la plaque murale comme gabarit pour marquer le centre des trous le long de la ligne verticale. Percez deux trous de 5/32 po (4 mm) de dia. et de 2,5 po (65 mm) de profondeur. Fixez le support mural (A) au mur à l'aide de deux vis à bois à tête plate no 14 x 2,5 po (H) comme illustré.

Passez à l'étape 2 à la page 26.

## ⚠ AVERTISSEMENT

- Serrez fermement les vis pour que la plaque murale tienne solidement en place, mais sans excès. Un serrage excessif peut endommager les vis et en réduire considérablement le pouvoir de maintien.
- Ne serrez jamais à plus de 80 po-lb (9 Nm).
- Assurez-vous que les vis de montage sont fixées au centre des montants. L'utilisation d'un localisateur de montants « bord à bord » est fortement recommandée.





## ⚠ AVERTISSEMENT

- Lors de l'installation de supports muraux Peerless sur des blocs de béton, assurez-vous que l'épaisseur du béton est d'au moins 1-3/8 po à l'endroit du trou destiné aux chevilles d'ancrage pour béton. Ne percez pas dans les joints de mortier! Veillez à installer le support dans une partie solide du bloc, généralement à un minimum de 1 po à partir du côté du bloc. Le bloc de béton doit respecter les normes ASTM C-90. Il est conseillé de percer le trou à l'aide d'une perceuse électrique standard à vitesse basse plutôt que d'un marteau perforateur afin d'éviter de briser le fond du trou lorsque vous entrez dans un vide ou une cavité.
- Le béton doit avoir une densité minimale de 2 000 psi. Du béton de moindre densité risque de ne pas soutenir la cheville d'ancrage.
- Assurez-vous que la surface de support puisse soutenir sans danger la charge totale de l'équipement ainsi que des pièces et composants qui y sont attachés.

**1** Mettez à niveau la plaque murale et utilisez-la comme gabarit pour marquer le centre des trous. Percez deux trous de 1/4 po (6 mm) de dia. à une profondeur minimale de 2,5 po (64 mm). Insérez les chevilles d'ancrage (B) dans les trous au ras du mur comme illustré à la fig. 1.1. Placez le support mural (A) sur l'ancrage et fixez-la à l'aide de vis à bois (H) comme illustré aux figures 1.2 et 1.4. Assurez-vous que le support mural est à niveau et serrez toutes les fixations. Voir figure 1.3.

## ⚠ AVERTISSEMENT

- Serrez fermement les vis pour que la plaque murale tienne solidement en place, mais sans excès. Un serrage excessif peut endommager les vis et en réduire considérablement le pouvoir de maintien.
- Ne serrez jamais à plus de 80 po-lb (9 Nm).

## ⚠ AVERTISSEMENT

- Les chevilles d'ancrage pour béton ne sont pas conçues pour être fixées à un mur de béton recouvert d'une couche de plâtre, d'une cloison sèche ou de tout autre matériau de finition comme illustré ci-dessous. Si vous devez absolument effectuer l'installation sur un mur en béton recouvert de plâtre ou d'une cloison sèche, le plâtre ou la cloison sèche (d'une épaisseur maximale de 5/8 po) doit être chambré comme indiqué ci-dessous. Veillez à ce que les chevilles d'ancrage ne s'éloignent pas du béton lorsque vous serrez les vis. Si l'épaisseur du plâtre ou de la cloison sèche dépasse 5/8 po, l'installateur devra fournir des pièces de fixation sur mesure (non évaluées aux normes UL).

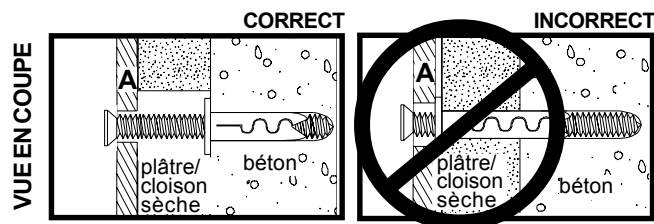
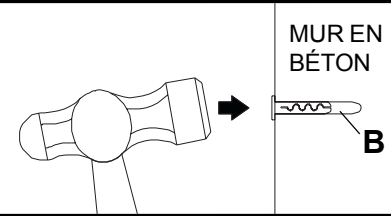
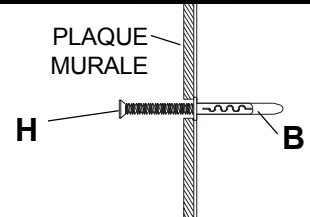


fig. 1.1



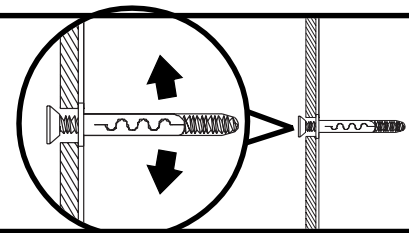
Percez les trous et insérez les chevilles d'ancrage (B).

fig. 1.2

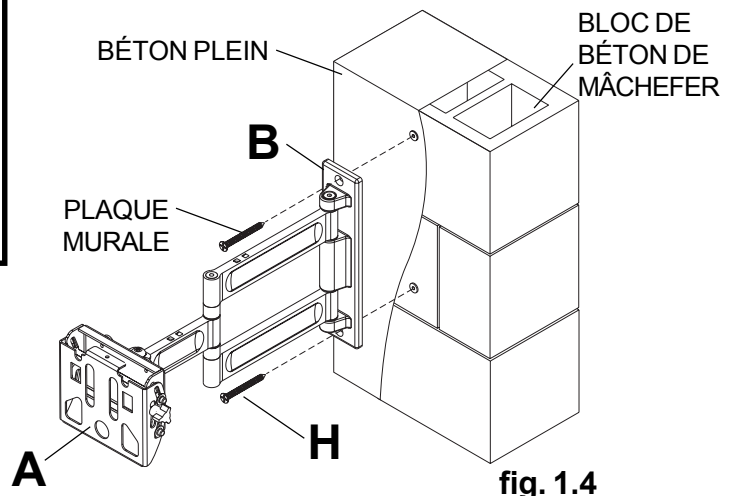


Posez la plaque murale sur l'ancrage (B) et fixez-la à l'aide d'une vis (H).

fig. 1.3



Serrez toutes les fixations.

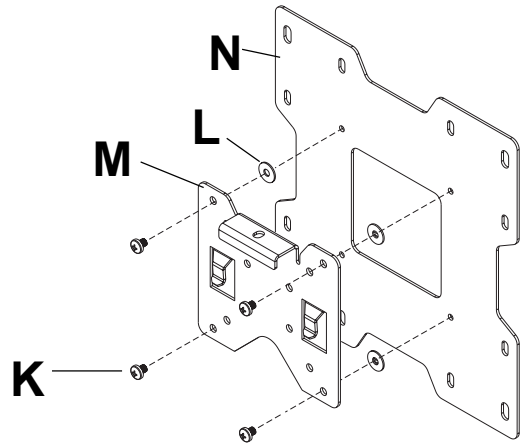


## Fixation de la plaque d'adaptation à un écran compatible à la norme de montage VESA® 200 x 100 ou 200 x 200

Français

**REMARQUE :** POUR LES CONFIGURATIONS VESA 75 MM ET 100 MM, VOIR LA PAGE SUIVANTE.

- 2** Fixez le support d'accrochage (**M**) à la plaque d'adaptation (**N**) à l'aide de quatre vis M5 x 6 mm (**K**) et de rondelles no 10 (**L**) comme illustré.



### ⚠ AVERTISSEMENT

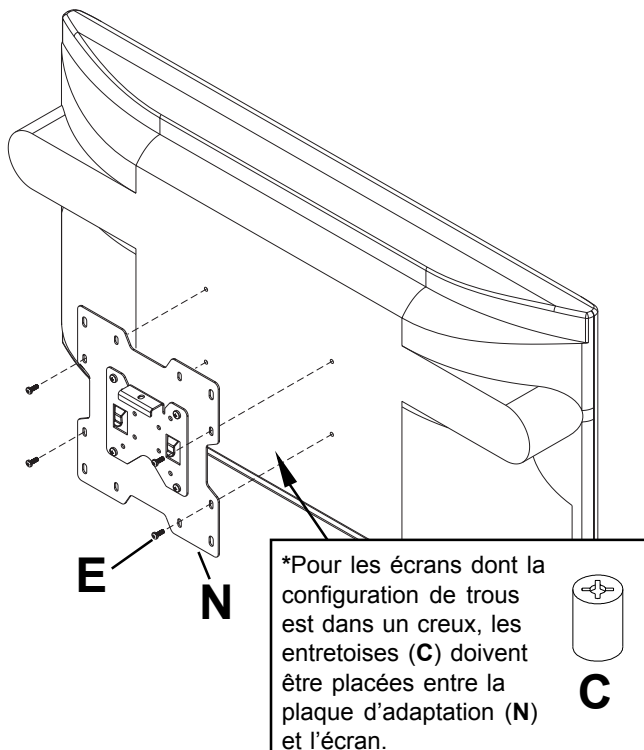
- Si les vis ne sont pas enfoncées de trois tours complets dans les inserts ou si elles sont serrées au maximum sans parvenir à fixer solidement la plaque d'adaptation, l'écran peut être abîmé ou le produit détérioré.

#### **2-1** POUR LA CONFIGURATION DE MONTAGE VESA® 200 x 100 :

Choisissez la configuration de trous illustrée ci-dessous. Fixez la plaque d'adaptation (**N**) au dos de l'écran à l'aide de quatre vis M4 x 10 mm (**E**) comme illustré ci-dessous.

\* **REMARQUE :** Si la vis (**E**) ne se visse pas sur au moins trois filetages, fixez la plaque d'adaptation (**N**) au dos de l'écran à l'aide de quatre vis M4 x 20 mm (**F**) et quatre entretoises (**C**) comme indiqué ci-dessous.

Passez à l'étape 3 à la page 29.

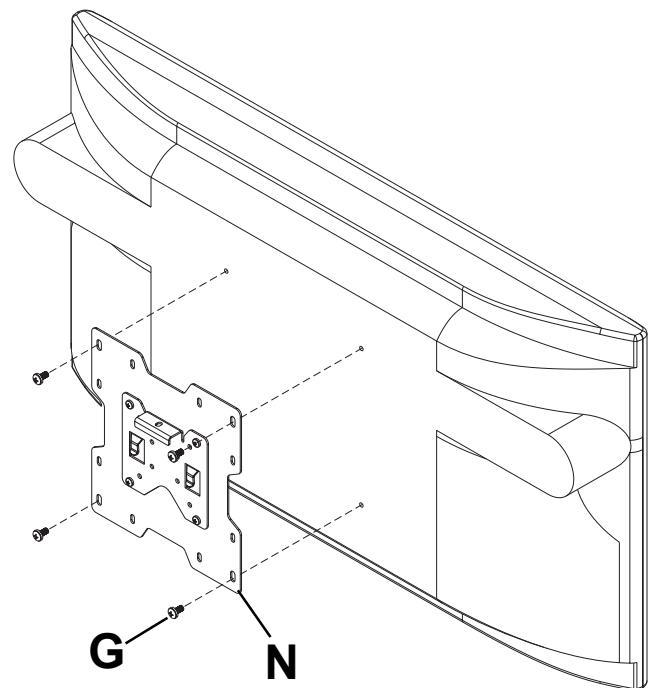


#### POUR LA CONFIGURATION DE MONTAGE VESA® 200 x 200 :

Choisissez la configuration de trous illustrée ci-dessous. Fixez la plaque d'adaptation (**N**) au dos de l'écran à l'aide de quatre vis M6 x 12 mm (**G**) comme illustré ci-dessous.

\* **REMARQUE :** Si la vis (**G**) ne se visse pas sur au moins trois filetages, fixez la plaque d'adaptation (**N**) au dos de l'écran à l'aide de quatre vis M6 x 20 mm (**I**). Si la vis (**I**) ne se visse toujours pas sur au moins trois filetages, utilisez quatre vis M6 x 30 mm (**J**).

Passez à l'étape 3 à la page 29.



## ⚠ AVERTISSEMENT

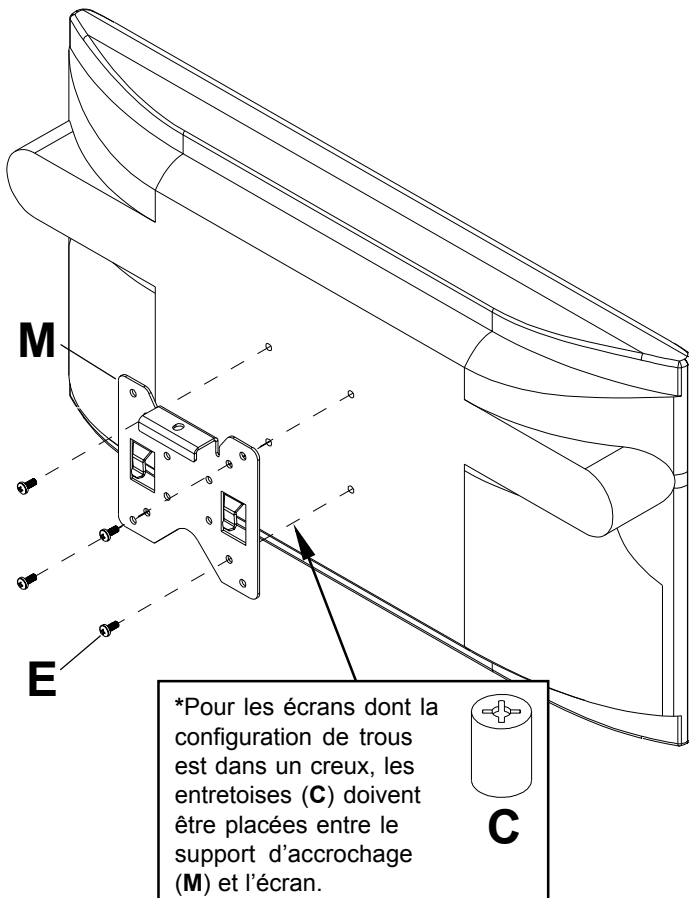
- Si les vis ne sont pas enfoncées de trois tours complets dans les inserts ou si elles sont serrées au maximum sans parvenir à fixer solidement le support, l'écran peut être abîmé ou le produit détérioré.

### POUR LA CONFIGURATION DE MONTAGE VESA® 75 :

2

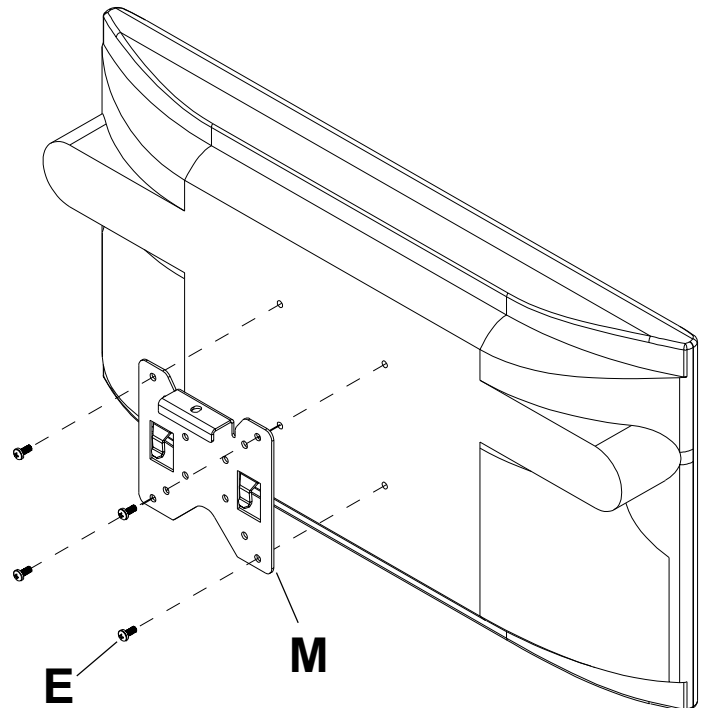
Choisissez la configuration de trous illustrée ci-dessous. Fixez le support d'accrochage (**M**) au dos de l'écran à l'aide de quatre vis M4 x 10 mm (**E**) comme illustré ci-dessous.

\* **REMARQUE** : Si la configuration de trous est dans un creux, fixez le support d'accrochage (**M**) au dos de l'écran à l'aide de quatre vis M4 x 20 mm (**F**) et quatre entretoises de retenue (**C**) comme indiqué ci-dessous.



### POUR LA CONFIGURATION DE MONTAGE VESA® 100 :

Choisissez la configuration de trous illustrée ci-dessous. Fixez le support d'accrochage (**M**) au dos de l'écran à l'aide de quatre vis M4 x 10 mm (**E**) comme illustré ci-dessous.



Pour déterminer la compatibilité avec l'écran, veuillez consulter la liste d'interfaces avec les écrans ACL ou plasma sur notre site Web à l'adresse [www.peerlessmounts.com](http://www.peerlessmounts.com) ou appeler le service à la clientèle pour demander quel type de support adaptateur modèle LC ou PLP s'adapte à votre écran (non évalués aux normes UL).

## INSTALLATION À UN SUPPORT ADAPTATEUR PEERLESS DE MODÈLE LC

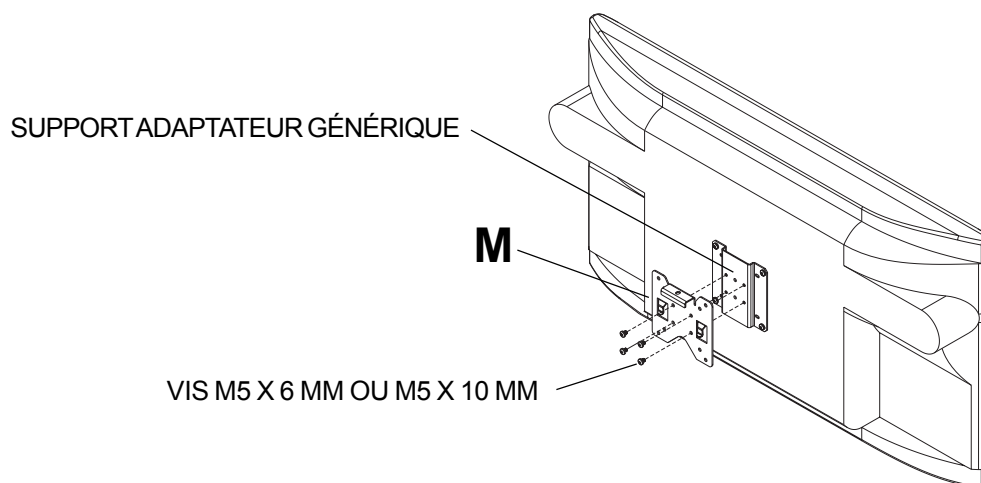
**REMARQUE :** Veuillez vous reporter à la feuille d'instructions sur le support adaptateur de modèle LC pour la fixation du support adaptateur à l'écran.

**REMARQUE :** Des vis M5 x 6 mm ou M5 x 10 mm sont fournies avec le support adaptateur de modèle LC.

### ⚠ AVERTISSEMENT

- Si les vis ne sont pas enfoncées de trois tours complets dans les inserts ou si elles sont serrées au maximum sans parvenir à fixer solidement le support, l'écran peut être abîmé ou le produit détérioré.

**2** Fixez le support d'accrochage (**M**) au support adaptateur à l'aide de quatre vis M5 x 6 mm ou M5 x 10 mm.

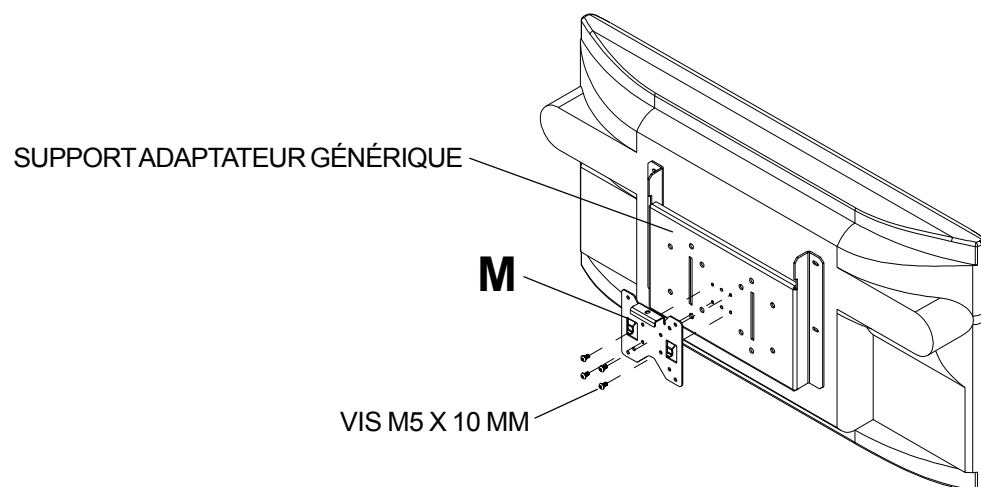


## INSTALLATION À UN SUPPORT ADAPTATEUR PEERLESS DE MODÈLE PLP

**REMARQUE :** Veuillez vous reporter à la feuille d'instructions sur le support adaptateur de modèle PLP pour la fixation du support adaptateur à l'écran.

**REMARQUE :** Des vis M5 x 6 mm sont fournies avec le support adaptateur de modèle PLP.

**2** Fixez le support d'accrochage (**M**) au support adaptateur à l'aide de quatre vis M5 x 10 mm.



## Montage et démontage d'un écran plat

- 3** Pour fixer l'écran au support mural (**A**), abaissez le support d'accrochage (**M**), avec l'écran incliné, dans les trous du support mural comme illustré à la figure 3.1. Lorsque les crochets sont bien engagés, poussez vers le bas pour les enfoncer dans les trous comme illustré à la figure 3.2. Insérez la vis Phillips M5 et serrez-la (**K**) pour fixer l'écran au support mural comme illustré à la figure 3.3.

Pour retirer l'écran du support, desserrez la vis (**K**) et soulevez-le hors du support.

### ⚠ AVERTISSEMENT

- Ne soulevez pas une charge trop lourde pour vous. Pour positionner l'écran en toute sécurité, faites-vous aider par une autre personne ou utilisez un dispositif de levage mécanique.
- Le support d'accrochage (**M**) doit être solidement fixé à l'aide de la vis (**K**), sinon l'écran risque de tomber du support s'il est frappé par inadvertance.

### ATTENTION

- Évitez de trop serrer les vis. Un serrage excessif peut endommager le support. Serrez les vis à un couple maximal de 20 po-lb (2,26 Nm).

- 4** Réglez les boutons de serrage illustrés dans le dessin de détail 4.1 à la tension souhaitée pour équilibrer la taille et le poids de l'écran.

Poussez ou tirez depuis le haut ou le bas de l'écran pour régler l'inclinaison comme illustré. L'inclinaison peut être réglée à un maximum de 15° vers l'avant ou 5° vers l'arrière.

### ATTENTION

- Évitez de trop serrer les vis. Un serrage excessif peut endommager le support. Serrez les vis à un couple maximal de 40 po-lb (4,5 Nm).

### ⚠ ATTENTION

- Prenez garde à ne pas vous pincer les doigts en dépliant le support et en le repliant contre le mur.

- 4-1** Faites pivoter l'écran dans la position souhaitée (5° dans le sens des aiguilles d'une montre ou dans le sens inverse). Insérez une vis Phillips à tête plate no 10-32 x 1/2 po (**O**) pour bloquer l'écran en place comme illustré à la figure 4.2.

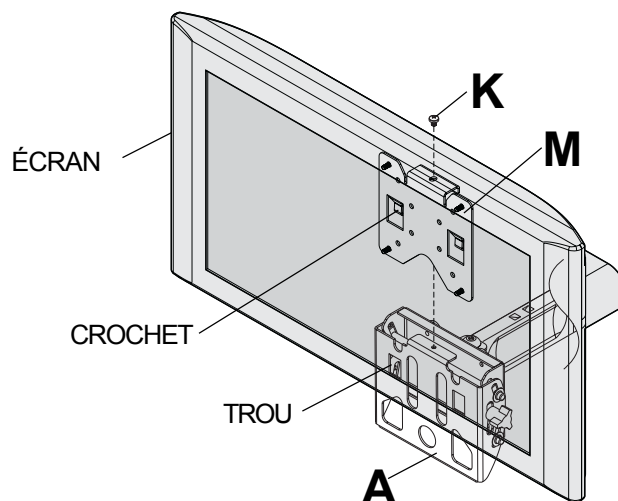


fig. 3.3

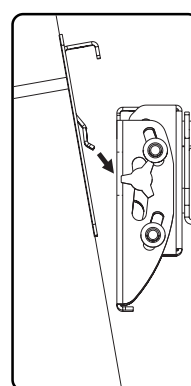


fig. 3.1

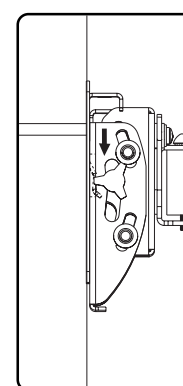


fig. 3.2

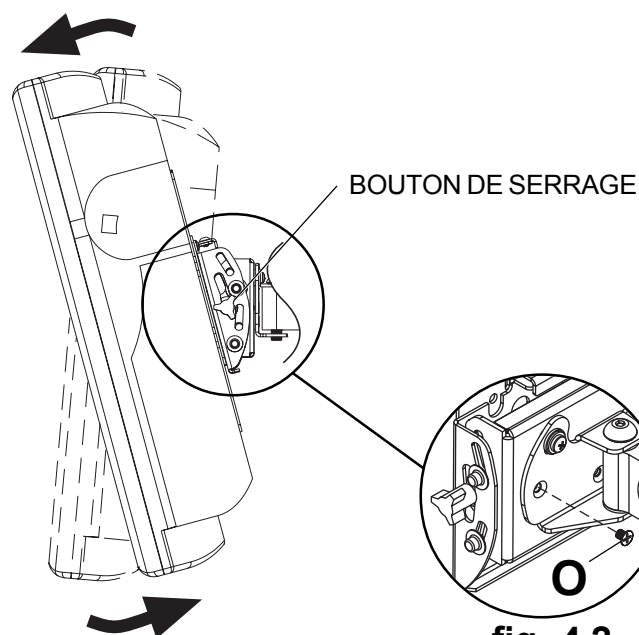


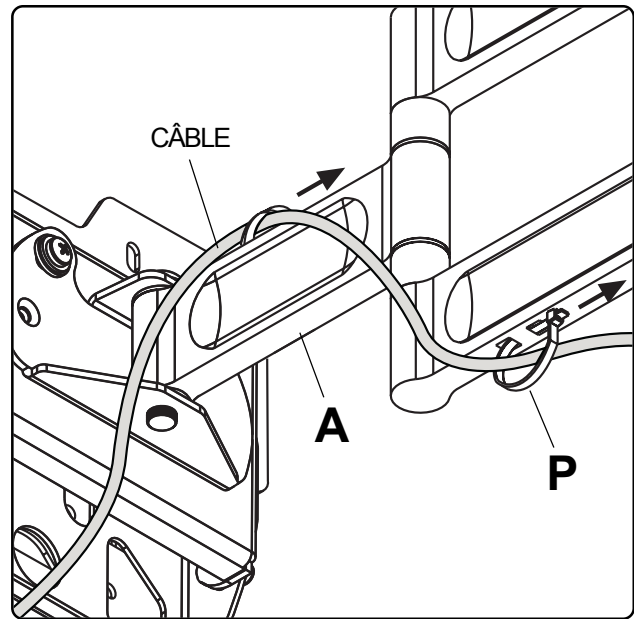
fig. 4.1

fig. 4.2

## Organisation des câbles et réglage de la tension du bras

Français

- 5** ORGANISATION DES CÂBLES : Fixez le câble sur le dessus ou le dessous du bras du support mural (A) à l'aide d'attaches de câble (P).



### ⚠ AVERTISSEMENT

- Ne pas retirer ni desserrer la vis avant qu'elle ne soit complètement dégagée du support. Cela risquerait de faire tomber l'écran.

