

# TECHNICAL DATA SHEET - Paramount™ Universal Flat Wall Mounts with Tilt For 23"-46" LCD Screens

**PARAMOUNT**™ by Peerless

MODEL: PFT640



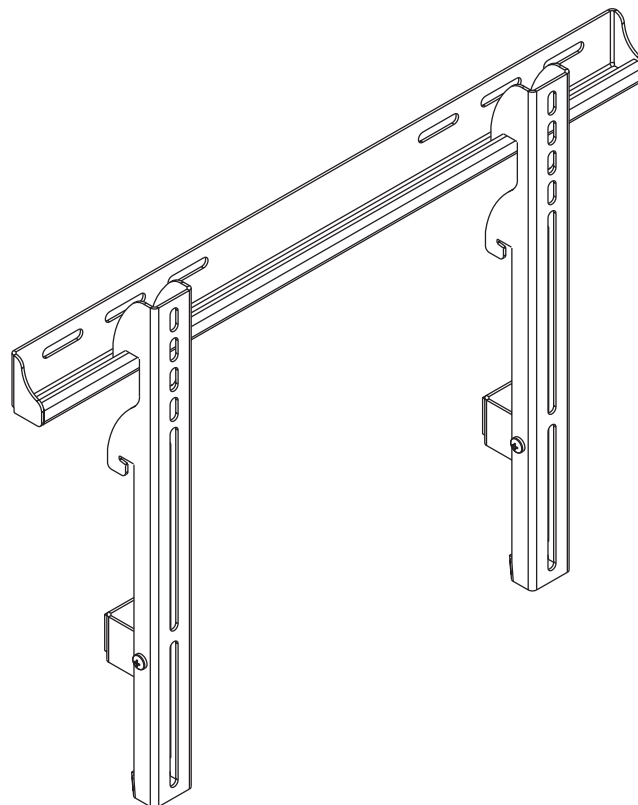
Versatility, strength and ease of installation are combined in the Universal Flat Wall Mounts with Tilt. Its simple three-piece design makes installation intuitive and fast with no assembly required. This mount offers close-to-the wall screen installation with the ability to be easily converted from a flat to a tilt wall mount for increased functionality. The simplicity of installation, strength of design and product versatility, makes this the ideal solution for any application in the home.

### **Features:**

- Integrated tilt feature for increased functionality
- Adjustable tilt of 2°, 5° and 10° for viewing flexibility
- Safety tab ensures screen is securely attached to wall plate
- Single rail wall plate design allows for a less intrusive installation
- Universal brackets easily hook onto wall plate for fast installation
- Horizontal screen adjustment up to 8", for centering screen on wall
- Slim design holds screen only 1.7" from wall
- Mounts to wood studs, concrete or cinder block
- Largest VESA pattern accepted: 400 x 200

### **Accessories:**

- Metal stud accessory kit ACC 215 (sold separately) (metal stud not evaluated by UL)
- Paramount™ A/V Component Shelf PCS200 (sold separately)



### **Dimensions:**

#### **Weight:**

3.4 lb (1.54 kg)

#### **Shipping weight:**

3.8 lb (1.72 kg)

#### **Maximum UL Load Capacity:**

100 lb (45 kg)

#### **Shipping Carton dimensions:**

L = 20.5 in (521 mm)

W = 4.375 in (111 mm)

H = 2.125 in (54 mm)

## ARCHITECTS SPECIFICATIONS

The **Paramount™ Universal Flat Wall Mount with Tilt** shall be a Peerless model \_\_\_\_\_ and shall be located where indicated on the plans. It shall be constructed of heavy gauge steel. The finish shall be scratch resistant gloss black fused epoxy. Assembly and installation shall be done according to instructions provided by the manufacturer.

### **Peerless Industries, Inc.**

3215 W. North Ave. Melrose Park, IL 60160  
708-865-8870 800-865-2112 Fax 708-865-2941

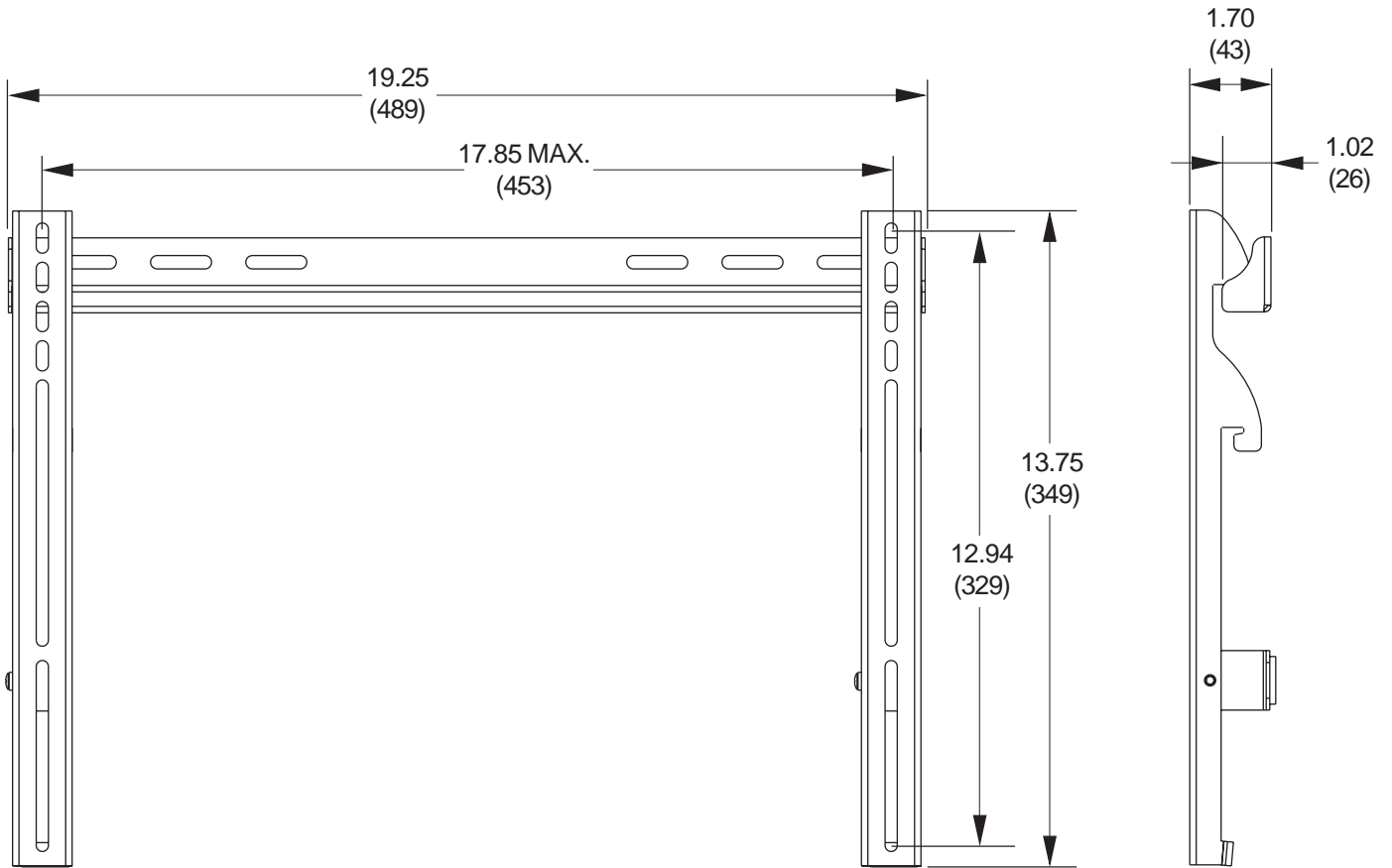
[www.peerlessmounts.com](http://www.peerlessmounts.com)

ISSUED: 07-26-07 SHEET NO: 202-9559-1

**TECHNICAL DATA SHEET**

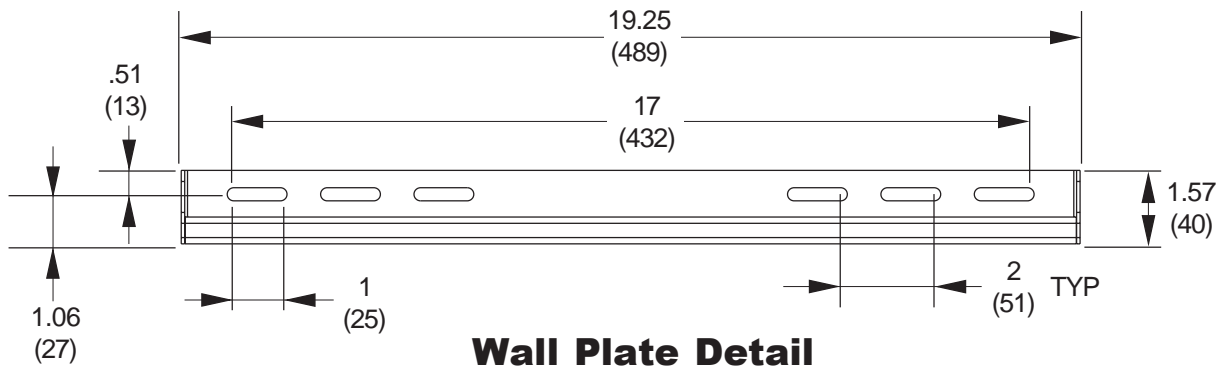
**MODEL: PFT640**

All dimensions = inch (mm)



**Front View**

**Side View**



**Wall Plate Detail**

**TECHNICAL DATA SHEET**

**MODEL: PFT640**

**Tilt increments**

