

TECHNICAL DATA SHEET - Paramount™ A/V Component Shelf

PARAMOUNT™ by Peerless

MODEL: PS200



The **Paramount™ A/V Component Shelf** is a double-stud A/V unit that is designed to fit directly under a flat panel screen. Aesthetically pleasing in high gloss piano black to match the color of today's LCD or plasma screens.

Features:

- Space saving design is ideal for stacking A/V equipment such as DVD players and receivers
- Arms fully extends up to 23" and retracts to under 15"
- 100 lb weight load capacity
- Includes fasteners for wood stud mounting
- Comes in high gloss piano black

Dimensions:

Weight:

8.8 lb (4 kg)

Shipping weight:

10.7 lb (4.85 kg)

Maximum Load Capacity:

100 lb (45.4 kg)

Shipping Carton dimensions:

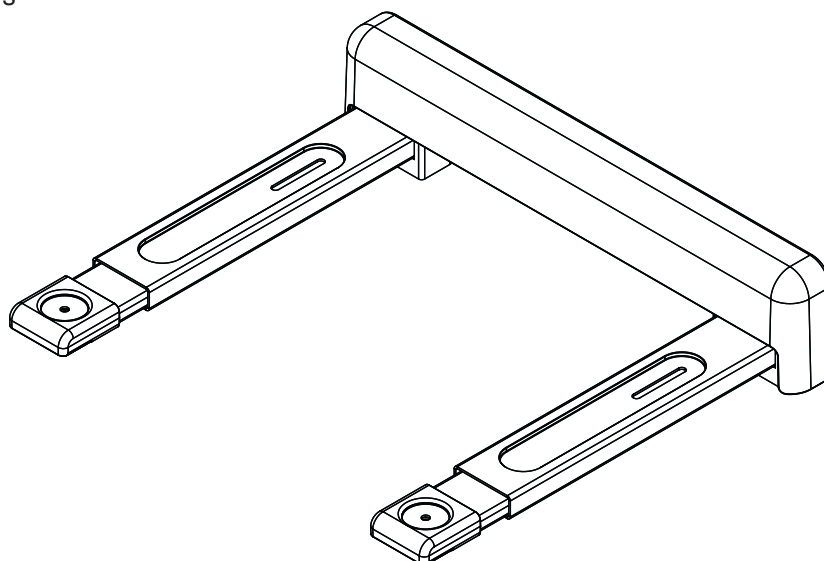
L = 22.25 in (565 mm)

W = 9.5 in (241 mm)

H = 4.25 in (108 mm)

Other Accessories:

- Metal stud accessory kit ACC 215 (sold separately)
- Safety Belt (ACC 322) (sold separately)



ARCHITECTS SPECIFICATIONS

The **Paramount™ A/V Component Shelf** shall be a Peerless model _____ and shall be located where indicated on the plans. It shall be constructed of heavy gauge steel. The finish shall be scratch resistant gloss black fused epoxy. Assembly and installation shall be done according to instructions provided by the manufacturer.

Peerless Industries, Inc.

3215 W. North Ave. Melrose Park, IL 60160
708-865-8870 800-865-2112 Fax 708-865-2941

www.peerlessmounts.com

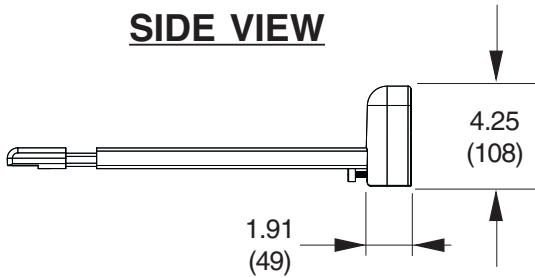
ISSUED: 07-13-07 SHEET NO: 083-9503-1

TECHNICAL DATA SHEET

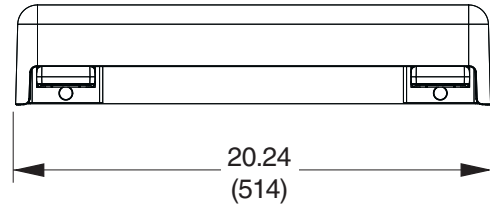
MODEL: PS200

All dimensions = inch (mm)

SIDE VIEW

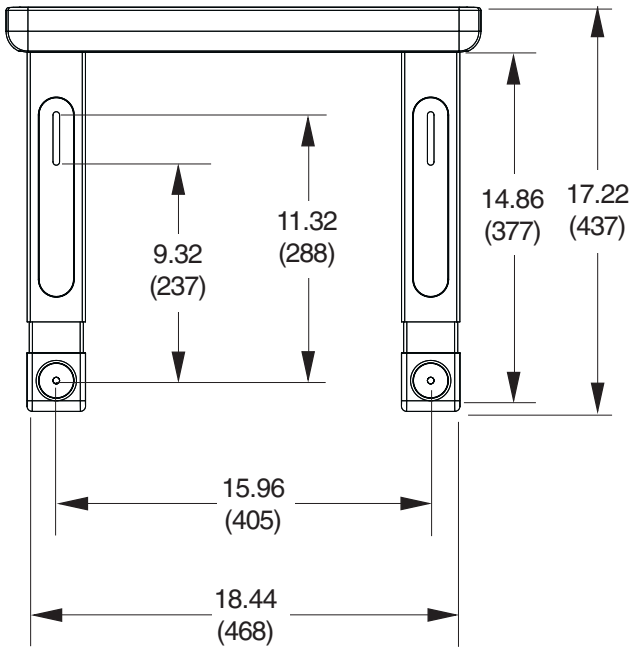


FRONT VIEW



TOP VIEW

**MAXIMUM EXTENDED WIDTH
MINIMUM RETRACTED LENGTH**



TOP VIEW

**MINIMUM RETRACTED WIDTH
MAXIMUM EXTENDED LENGTH**

