

# TECHNICAL DATA SHEET - Flat Panel Accessory for VCR/DVD Mount



**MODELS:** ACC931, ACC931-S

**Dimensions:**

**Weight:**

7.24 lb (3.2 kg)

**Shipping weight:**

9 lb (4.1 kg)

**Maximum Load Capacity:**

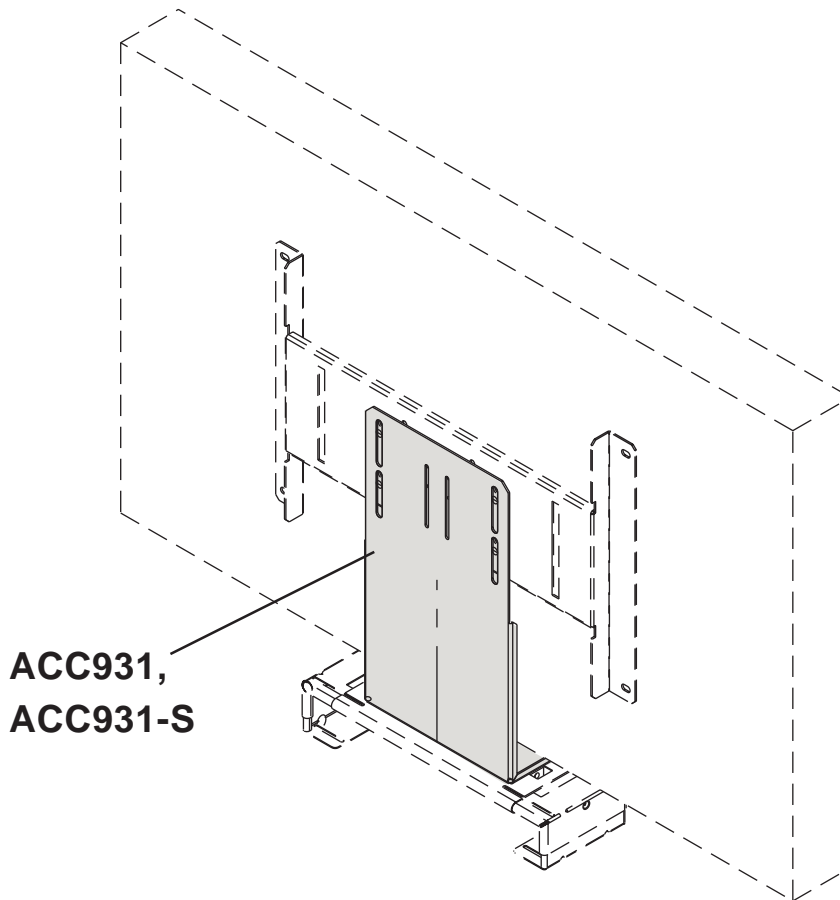
30 lb (13.7 kg)

**Shipping Carton dimensions:**

**L**= 20.25 in. (514 mm)

**W**= 12.25 in. (311 mm)

**H**= 4.125 in. (105 mm)



**ACC931,  
ACC931-S**

### ARCHITECTS SPECIFICATIONS

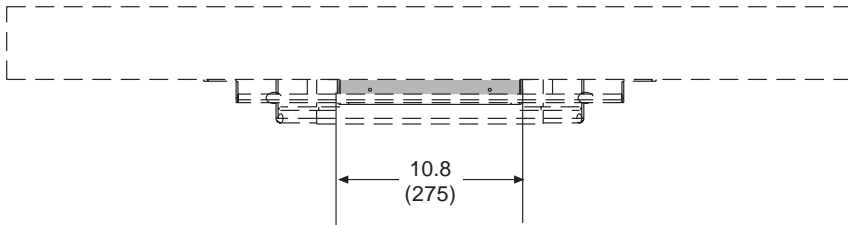
The monitor mount shall be a Peerless model \_\_\_\_\_ and shall be mounted where indicated on the plans. It shall be constructed of heavy gauge cold rolled steel, and finished with scratch resistant Black or Silver Fused Epoxy. Assembly and installation shall be done according to instructions provided by the manufacturer.

**TECHNICAL DATA SHEET**

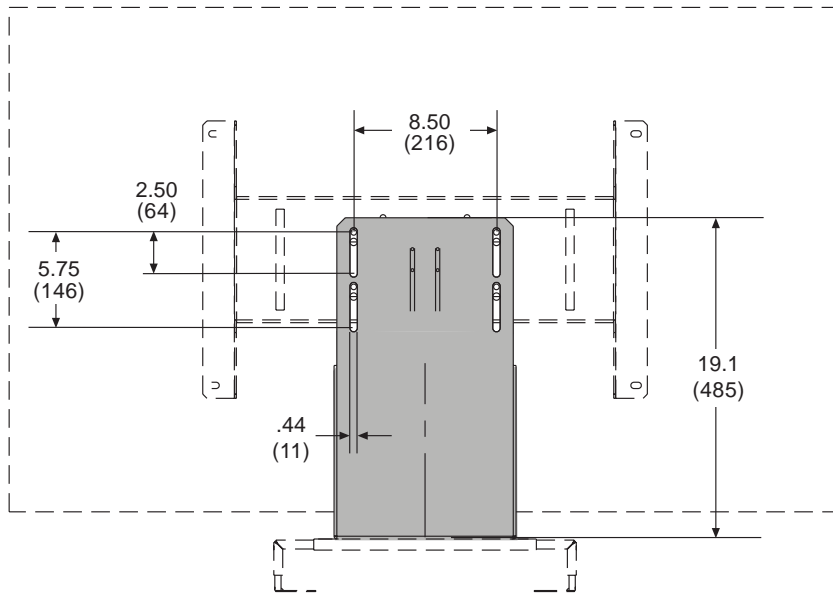
**MODELS: ACC931, ACC931-S**

ALL DIMENSION = INCH  
(MM)

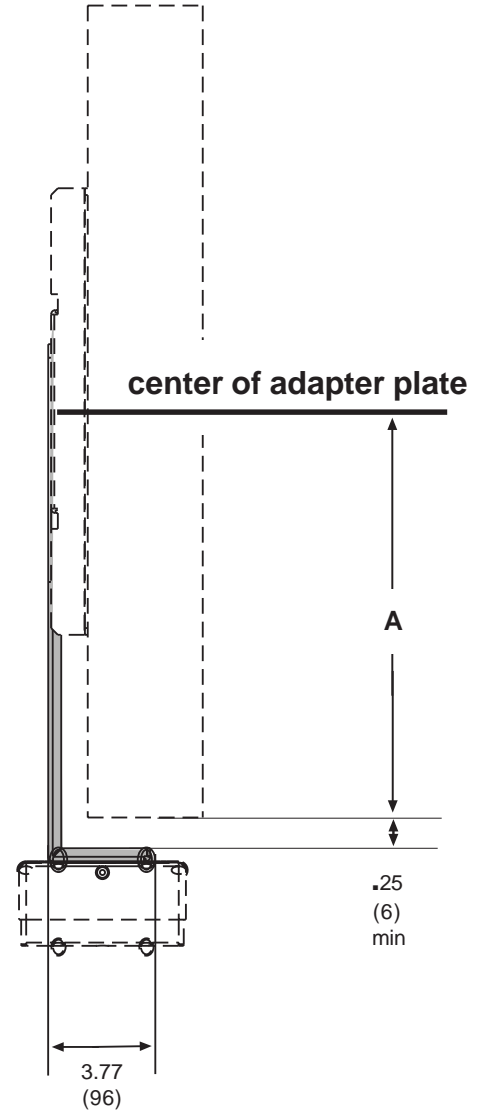
RANGE	MIN.	MAX.
A	13.38 (340)	15.75 (400)



**TOP  
VIEW**



**BACK  
VIEW**



**SIDE  
VIEW**