

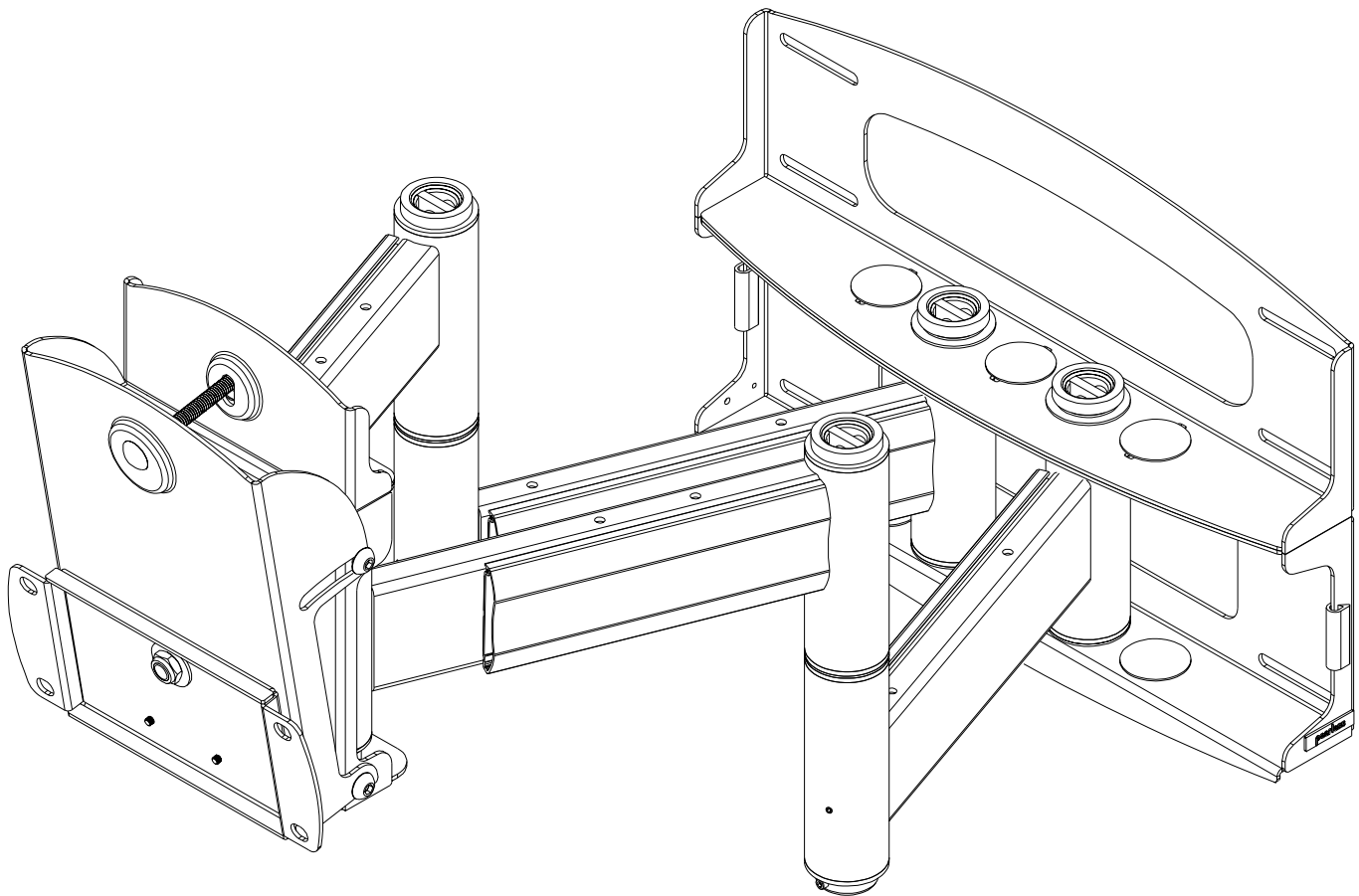
**Installation and Assembly - Articulating Swivel Double-Arm
for 42" - 71" Plasma Screens**

Models: PLAV 70, PLAV 70-S



This product is UL Listed. It must be installed by a qualified professional installer.

Maximum UL Load Capacity: 200 lb (91 kg)



Read instruction sheet before you start installation and assembly.

⚠ WARNING

- Do not begin to install your Peerless product until you have read and understood the instructions and warnings contained in this Installation Sheet. If you have any questions regarding any of the instructions or warnings, please call Peerless customer care at 1-800-729-0307.
- This product should only be installed by a qualified professional.
- Make sure that the supporting surface will safely support the combined load of the equipment and all attached hardware and components.
- Never exceed the Maximum UL Load Capacity of 200 lb (91 kg).
- Never mount this product to metal studs.
- If mounting to wood wall studs, make sure that mounting screws are anchored into the center of the studs. Use of an "edge to edge" stud finder is highly recommended.
- Always use an assistant or mechanical lifting equipment to safely lift and position equipment.
- Tighten screws and nuts firmly, but do not overtighten. Overtightening can damage the items, greatly reducing their holding power.

IMPORTANT! Certain types of walls require additional mounting hardware...

| WALL CONSTRUCTION | ADDITIONAL HARDWARE REQUIRED |
|----------------------|---|
| Wood Stud, Wood Beam | none |
| Solid Concrete | Contact Customer Care for accessory kit |
| Other or unsure? | Contact Customer Care |

IMPORTANT! Turn to the appropriate page for your wall installation.

Installations:

| | |
|--------------------------|--------|
| To Wood Stud Walls | page 4 |
| To Concrete Walls | page 5 |

Accessories

- concrete anchor 4-pack (ACC 224)

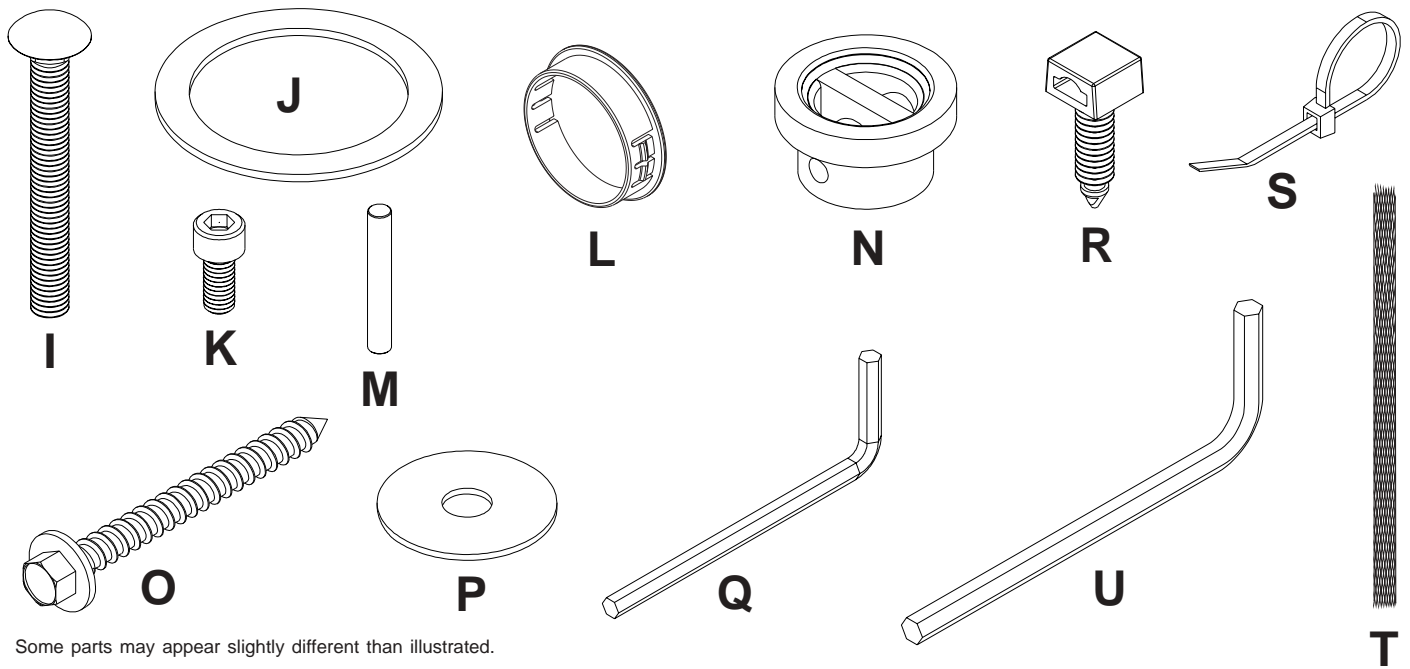
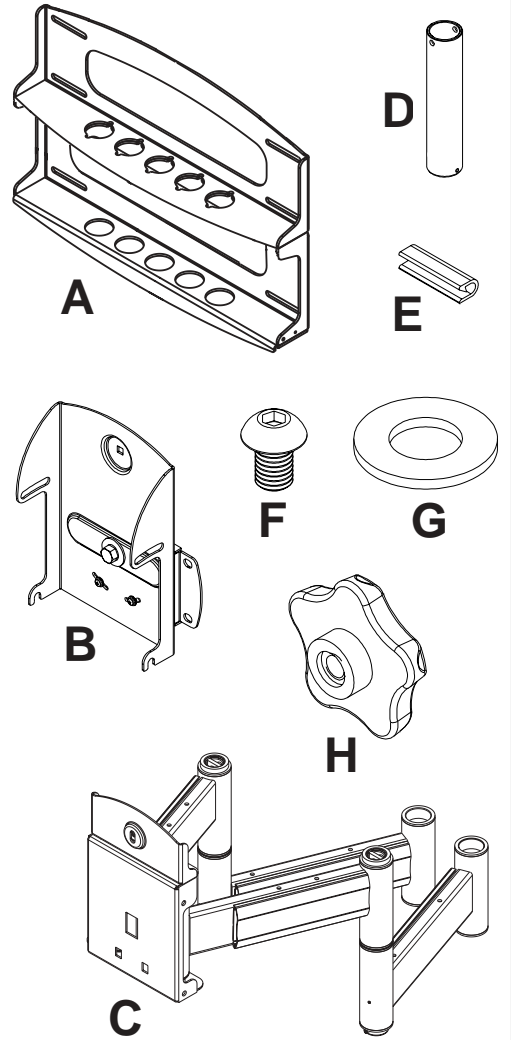
Tools Needed for Assembly

- stud finder ("edge to edge" stud finder is recommended)
- drill
- 7/32" drill bit for wood studs
- 5/16" drill bit for concrete
- 7/16" socket wrench with extension (recommended)
- level
- phillips screwdriver
- 3/4" open-end wrench

Parts List

Before you start make sure all parts listed are included with your product.

| DESCRIPTION | QTY. | PLAV 70 PART # | PLAV 70-S PART # |
|---------------------------------------|------|----------------|------------------|
| A wall plate | 1 | 201-1040 | 201-4040 |
| B tilt-roll assembly | 1 | 201-1042 | 201-4042 |
| C arm assembly | 1 | 201-1044 | 201-4044 |
| D wall support arm axle | 2 | 201-1041 | 201-1041 |
| E vinyl trim | 3 | 600-1012 | 600-1012 |
| F M10 x 1.5 x 15 mm screw bolt | 8 | 520-9262 | 520-9262 |
| G .505 x .75 x .062" nylon washer | 1 | 540-1074 | 540-1074 |
| H tilt adjustment knob | 1 | 560-0108 | 560-0108 |
| I carriage bolt 3/8"-16 x 3.25" | 1 | 520-1315 | 520-1315 |
| J 1.525 x 2 x .062" delrin washer | 4 | 540-1070 | 540-1070 |
| K #8-32 x .375" socket head cap screw | 2 | 520-1210 | 520-1210 |
| L plastic finishing cap | 6 | 590-1123 | 590-1123 |
| M holding pin | 2 | 580-1166 | 580-1166 |
| N retainer plug | 2 | 590-1007 | 590-1007 |
| O 5/16 x 3" wood screw | 8 | 520-1243 | 520-1243 |
| P .250 x 1 x .068" washer | 8 | 540-1063 | 540-1063 |
| Q 9/64" allen wrench | 1 | 560-9728 | 560-9728 |
| R cable management clips | 8 | 590-1166 | 590-1166 |
| S cable tie | 8 | 590-1168 | 590-1168 |
| T 36" polyester mesh sleeve | 2 | 600-1015 | 600-1015 |
| U 6 mm allen wrench | 1 | 560-9716 | 560-9716 |



Some parts may appear slightly different than illustrated.

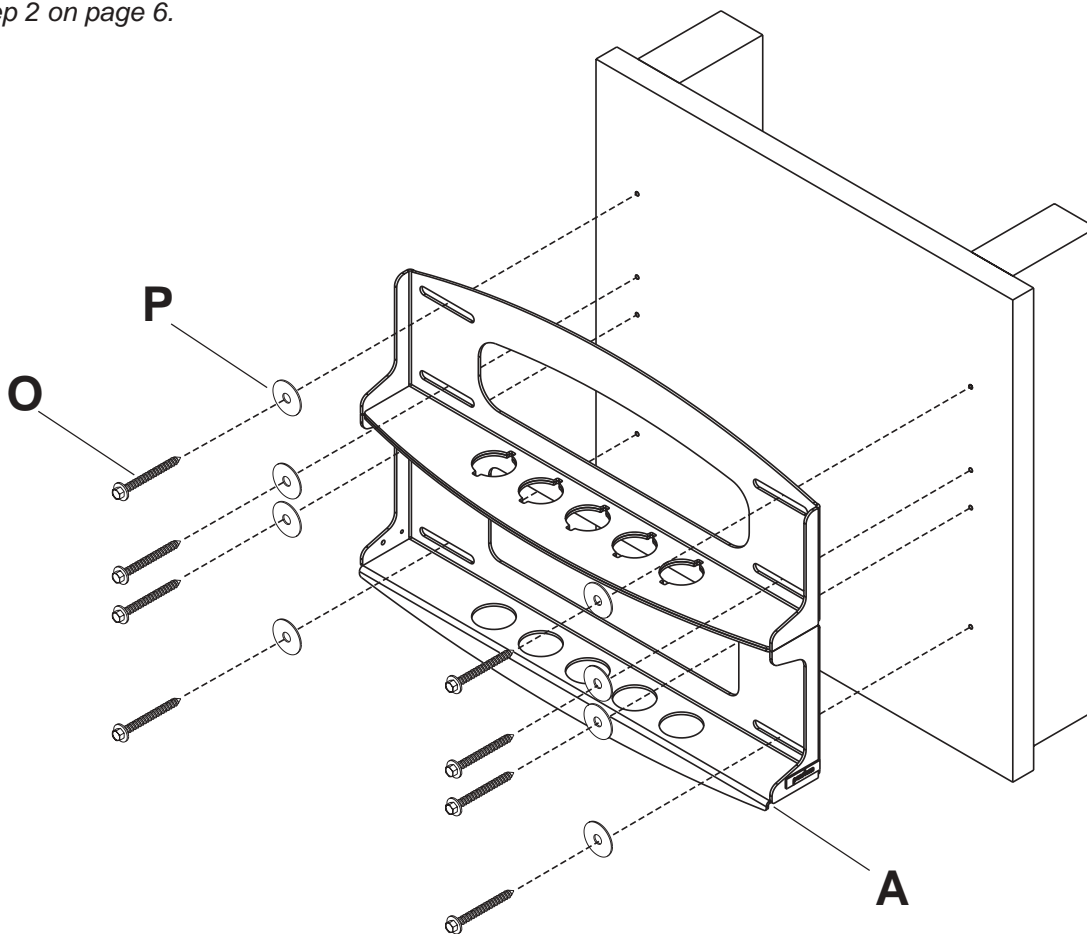
Installation to Wood Stud Wall

⚠ WARNING

- Installer must verify that the supporting surface will safely support the combined load of the equipment and all attached hardware and components.
- Tighten wood screws so that wall plate is firmly attached, but do not overtighten. Overtightening can damage the screws, greatly reducing their holding power.
- Never tighten in excess of 80 in. • lb (9 N.M.).
- Never mount this product to metal studs.
- Make sure that mounting screws are anchored into the center of the stud. The use of an "edge to edge" stud finder is highly recommended.
- Hardware provided is for attachment of mount through standard thickness drywall or plaster into wood studs. Installers are responsible to provide hardware for other types of mounting situations.
- Never exceed the Maximum UL Load Capacity of 200 lb (91 kg).

- 1 Wall plate (**A**) can be mounted to two studs that are 16" apart. Use a stud finder to locate the edges of the studs. Use of an edge-to-edge stud finder is highly recommended. Based on their edges, draw a vertical line down each stud's center. Place wall plate on wall as a template. The top mounting slots should be located 4.3" below the desired screen center. Level plate, and mark the center of the eight mounting holes. Make sure that the mounting holes are on the stud centerlines. Drill eight 7/32" dia. holes 3" deep. Make sure that the wall plate is level, secure it using eight 5/16 x 3" wood screws (**O**) and washers (**P**).

Skip to step 2 on page 6.



Installation to Concrete Wall

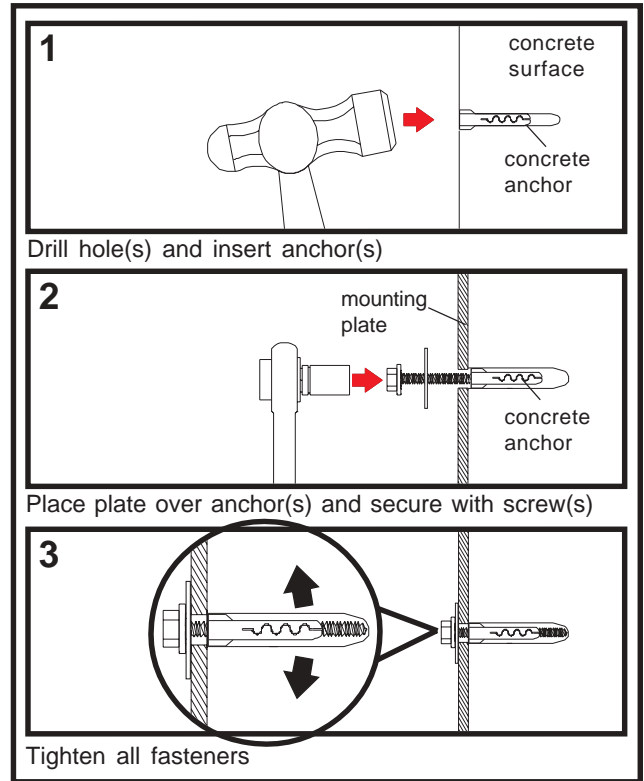
⚠ WARNING

- Concrete must be 2000 psi density minimum. Lighter density concrete may not hold concrete anchor.
- Make sure that the supporting surface will safely support the combined load of the equipment and all attached hardware and components.
- Never exceed the Maximum UL Load Capacity of 200 lb (91 kg).

IMPORTANT! Concrete must be 2000 psi density minimum.

Note: Fasteners for concrete walls are not included, order TWO #ACC 224 accessory kits for installation on concrete walls.

- 1 Use wall plate (A), making sure that it is level, as a template to mark holes. The top mounting slots should be located 4.3" below the desired screen center. Drill 5/16" (8 mm) dia. holes to a minimum depth of 3" (76 mm). Insert anchors in holes flush with wall as shown (right). Place wall plate (A) over anchors and secure with 5/16 x 3" wood screws (O) and washers (P).

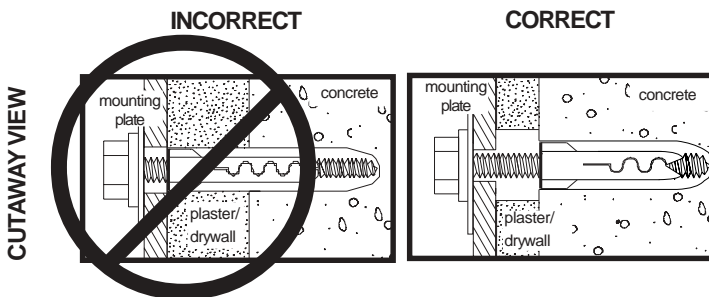
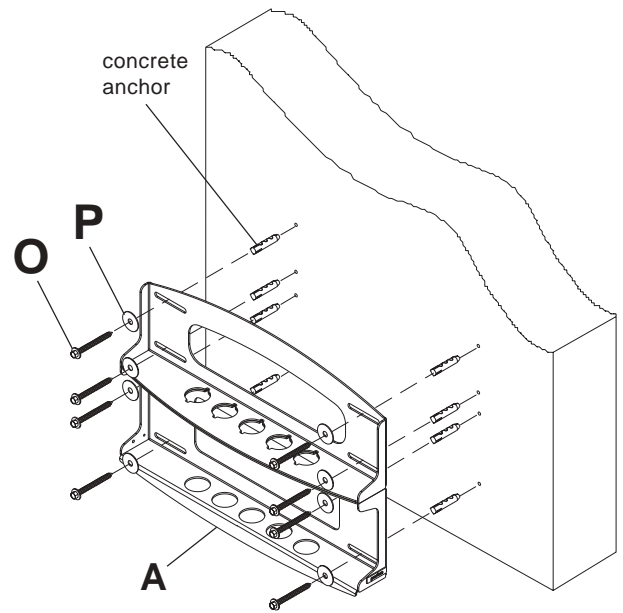


⚠ WARNING

- Tighten wood screws so that wall plate is firmly attached, but do not overtighten. Overtightening can damage screws, greatly reducing their holding power.
- Never tighten in excess of 80 in • lb (9 N.M.).

⚠ WARNING

- Always attach concrete expansion anchors directly to load-bearing concrete.
- Never attach concrete expansion anchors to concrete covered with plaster, drywall, or other finishing material. If mounting to concrete surfaces covered with a finishing surface is unavoidable, the finishing surface must be counterbored as shown below. If plaster/drywall is thicker than 5/8", custom fasteners must be supplied by installer (Not UL evaluated).



⚠ WARNING

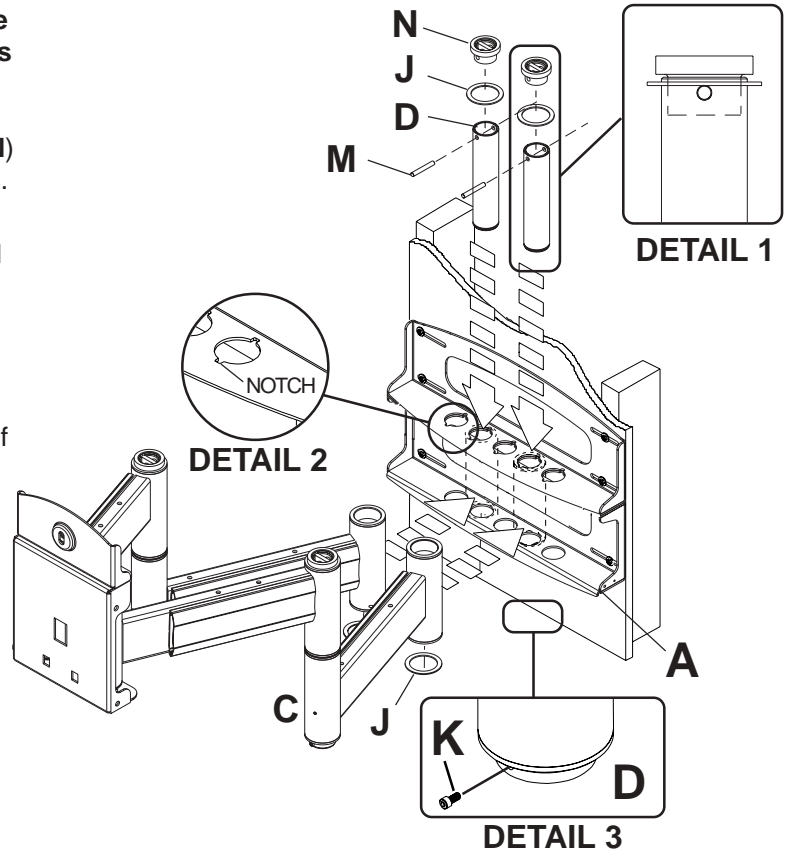
- If you are uncertain that product is properly installed, call customer care.

2 **Note: There are three mounting positions. The center position is shown right. Arm assemblies must be mounted with one mounting hole separating them.** Slide washers (J) over wall support arm axles (D). Next, insert plastic caps (N) into axles. Then, insert holding pins (M) into axles. See detail 1.

2-1 Place arm assembly (C) with washers (J) into wall plate (A). Insert axle assemblies shown in detail 1 through wall plate (A), arm assembly (C), and washers (J). Lock axles in place by aligning holding pins (M) with notches shown in detail 2.

2-2 Insert socket cap screws (K) into hole at bottom of wall support arm axles (D) as shown in detail 3. Tighten screw using 9/64" allen wrench (Q).

Note: Fit of axles (D) into wall plate (A) and arm assembly (C) will be tight. Gently tap into place with a hammer if necessary.

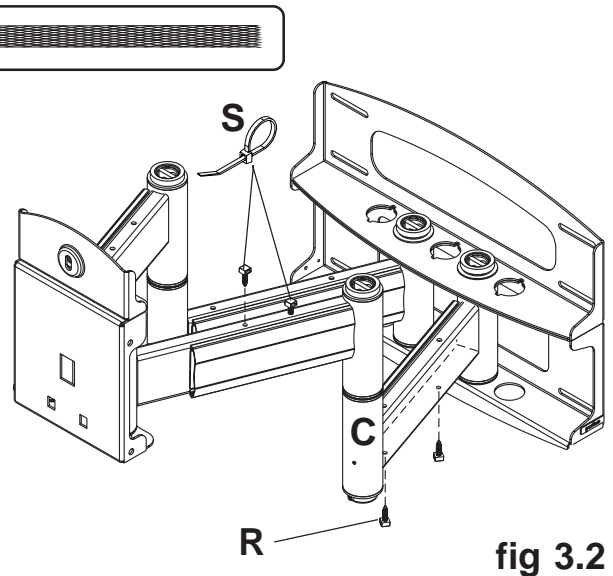
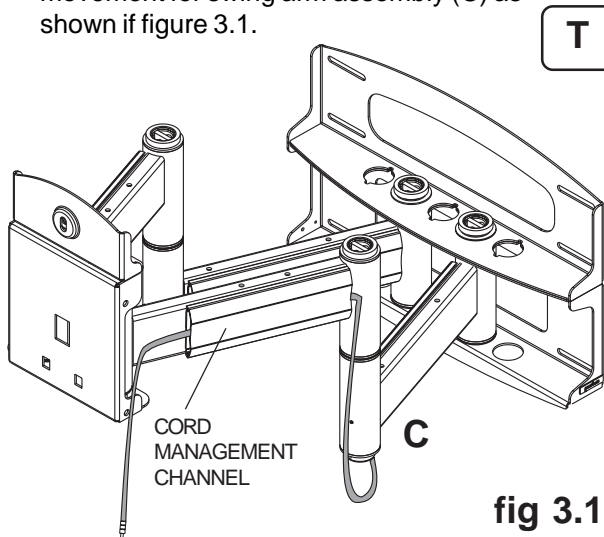


3 **To route cables through cord management channels:** Slide one mesh sleeve (T) over each cable. Use cable ties (S) to tighten mesh sleeves to cables.

3 **To route cables using cable management clips:** Snap eight cable management clips (R) into both swing arms (C) as shown in figure 3.2. Cable ties (S) are used with clips for cord management.

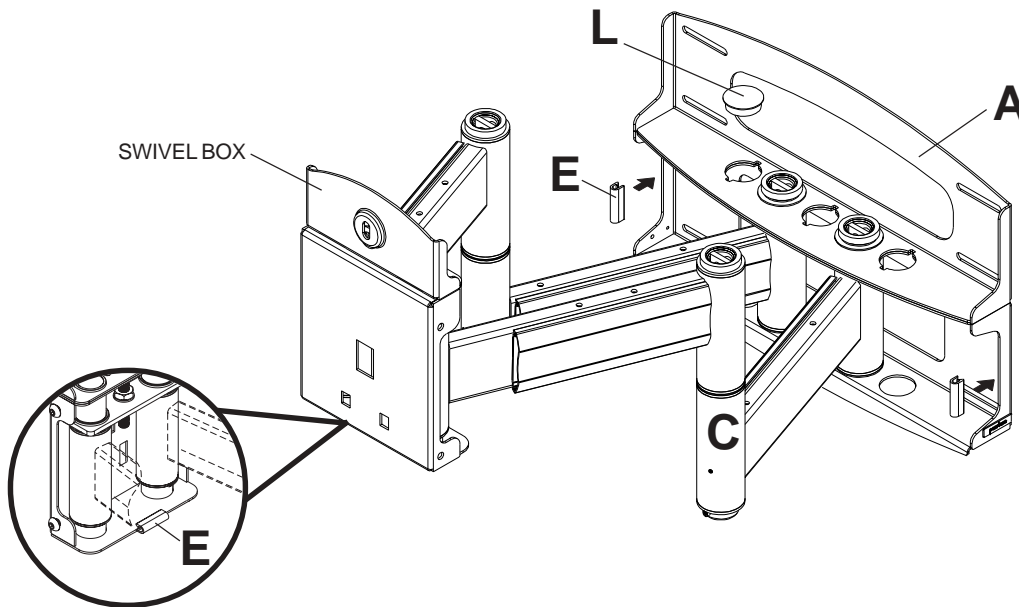
3-1 Pull cords through cord management channels, leaving enough slack to allow full range of movement for swing arm assembly (C) as shown in figure 3.1.

3-1 Slide one mesh sleeve (T) over each cable. Use cable ties (S) to tighten mesh sleeves to cables.



4 Attach two pieces of vinyl trim (E) to wall plate (A). Next, attach one piece of vinyl trim to bottom of swivel box on arm assembly (C).

4-1 Insert one finishing cap (L) into each unused hole of wall plate (A).



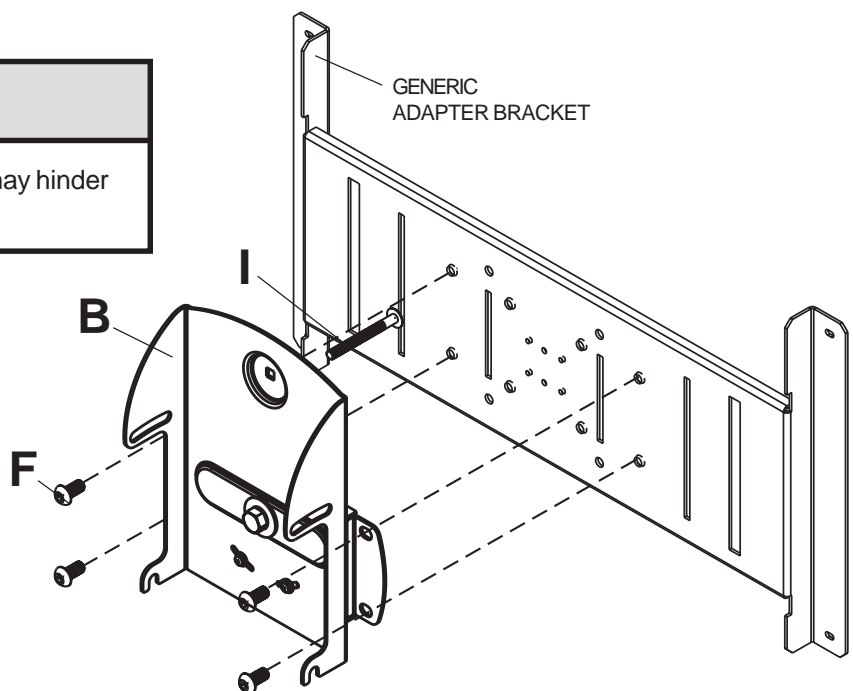
NOTE: Refer to adapter bracket instruction sheet for attachment of adapter bracket to plasma before proceeding with step 5. If your adapter bracket has an aluminum race attached to it, remove before proceeding and discard race. It is not used with this product.

5 Insert and tape carriage bolt (I) into top hole of tilt-roll assembly (B). Attach tilt-roll assembly to adapter bracket with four M10 socket screws (F). Tighten screws using 6 mm allen wrench (U).

Note: Adapter bracket (not UL evaluated, sold separately) will vary in size and style.

CAUTION

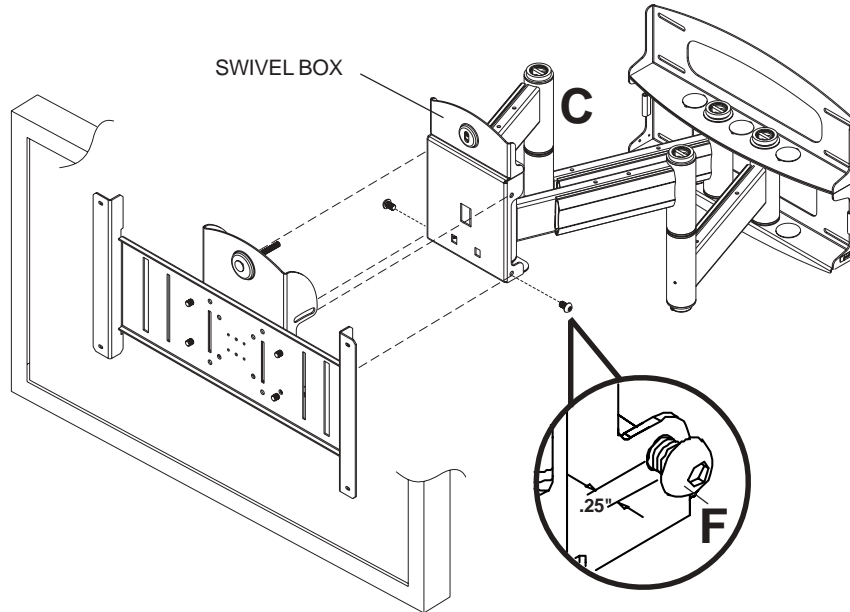
- Do not overtighten screws! Overtightening may hinder roll option.



⚠ WARNING

- Use an assistant or mechanical lifting equipment to safely lift and position the plasma TV.

6 Insert two M10 screws (F) into swivel box on arm assembly (C) as shown. Leave approx. 1/4" of exposed thread.

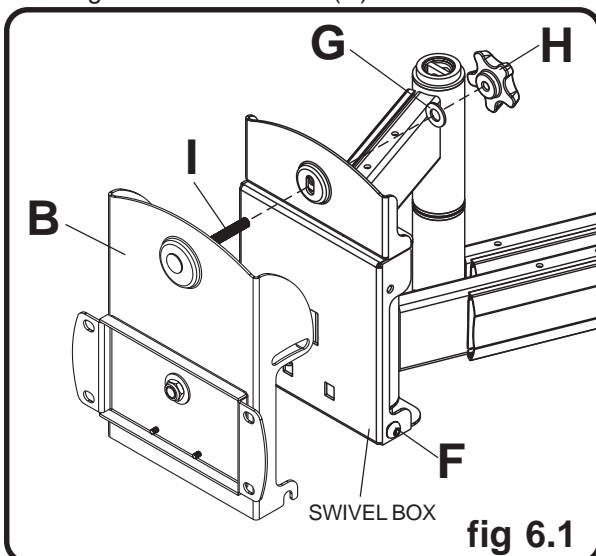


6-1 Hook tilt-roll assembly (B) onto M10 screws (F). Insert carriage bolt (I) into slot of swivel box as shown in figure 6.1. Install nylon washer (G) and tilt adjustment knob (H).

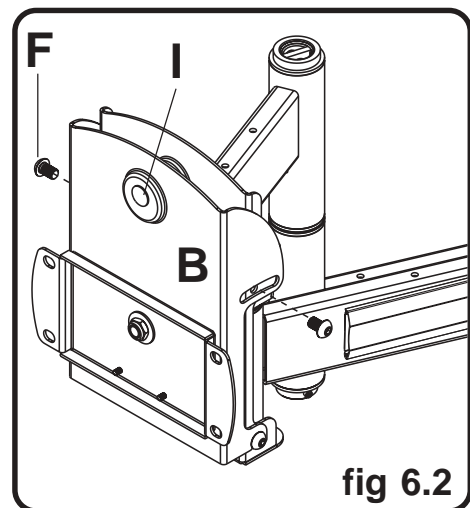
6-2 Install remaining two M10 screws (F) as shown in figure 6.2. **HAND TIGHTEN** all four M10 screws to allow for tilt adjustment. Remove tape from carriage bolt (I). For tilt adjustment, gently push back on the top of plasma to relieve pressure on knob. Adjust tilt to desired position and tighten tilt adjustment knob (H), then securely tighten all four M10 screws (F) using 6 mm allen wrench (U).

CAUTION

- After tilt is adjusted, all fasteners must be tightened. Failure to do so will result in damage to the mount.

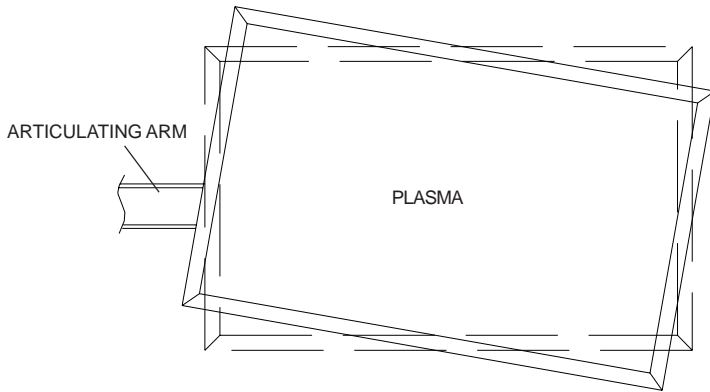


Adapter bracket not shown for clarity.



Adapter bracket not shown for clarity.

7 Depending on the specific size & weight of the plasma, articulating swing arm may be angled at different positions, causing plasma to appear to lean sideways at different articulating positions. Tilt roll assembly (**B**) allows plasma to be manually adjusted, so plasma can be horizontal at all positions. To adjust, gently rotate plasma by hand to desired position.



7-1 If it is too difficult to adjust roll of plasma, loosen screws shown in figure 7.1 using a phillips screwdriver.

IMPORTANT! Do not loosen or tighten screws more than 1/8 turn.

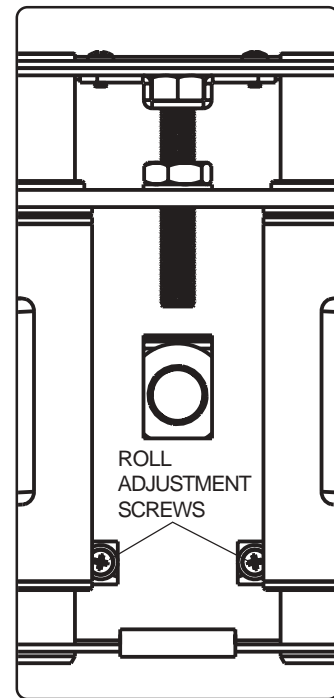


fig 7.1

8 Position of screen may be adjusted vertically up to .79" in each direction by doing the following:

- To raise screen, turn hex nut shown in figure 8.1 clockwise with 3/4" open-end wrench (not provided).
- To lower screen, turn hex nut shown in figure 8.1 counterclockwise with 3/4" open-end wrench (not provided).

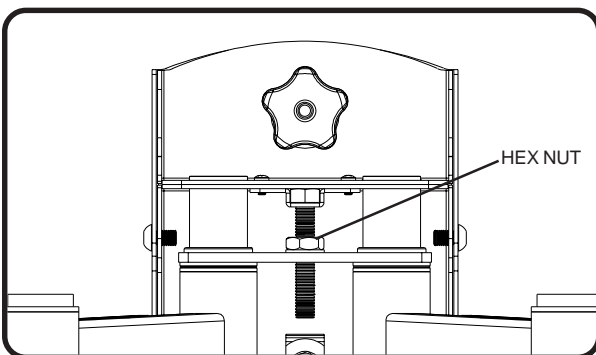


fig 8.1