

TECHNICAL DATA SHEET - **SmartMount™** Universal Tilt Wall Mount for 61" - 102" Screens

peerless®

**MODELS: ST 680, ST 680P,
ST 680S, ST 680PS**



This product is intended for use with UL Listed products and must be installed by a qualified professional installer.

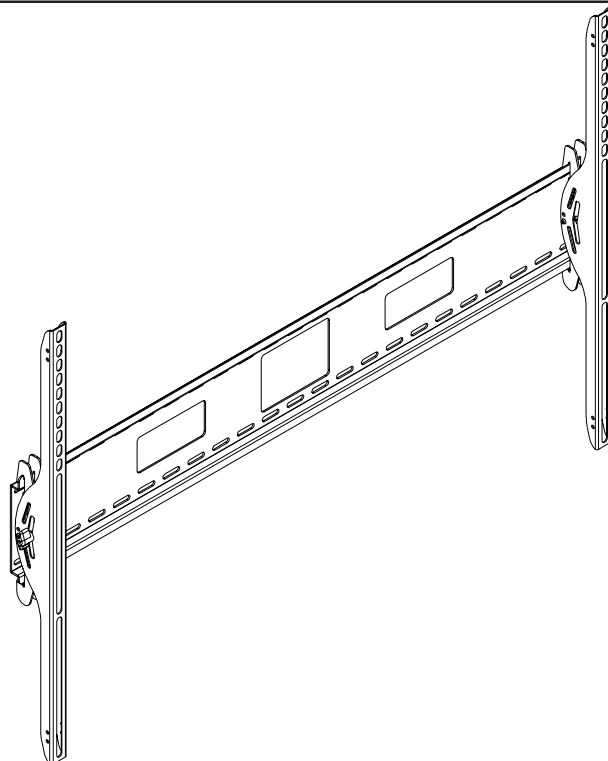
The **SmartMount™** for 61" to 102" flat panel screens provides a versatile and secure solution for professional environments such as boardrooms, hotels and stadiums. This mount offers smooth, continuous one touch tilt and IncreLok™ locking tilt, allowing for easy adjustment to achieve the perfect viewing angle without tools. The mount includes simple to align universal brackets and a unique wall plate that can be mounted to wood studs or concrete. For easy installation the mount is preassembled and includes a Sorted-For-You™ baffle pack with all screen hardware and security fasteners.

Features:

- For virtually all 61" to 102" flat panel screens
- Adjustable 15° of forward tilt, 15° backward tilt
- Integrated security features provide effective theft deterrence
- Self-balancing, one-touch tilt for effortless adjustment
- Easy access knob for fine tension adjustment
- Tilt can be locked in place with the IncreLok™ locking tilt mechanism at -5, 0, +5, +10, & +15 degree increments
- Up to 8" of horizontal adjustment after the screen is mounted
- Mounts to wood studs, concrete, or to metal studs (with accessory metal stud fastener kit)
- Universal tilt brackets easily hook onto the wall plate for fast installation
- Includes hardware for wood studs, concrete and cinder block
- Comes with Peerless' complete Sorted-For-You™ baffle pack with all screen hardware included

Accessories:

- 2 Piece Metal Stud Fastener Kit (ACC 215)
- 4 Piece Metal Stud Fastener Kit (ACC 415)
- Video Conferencing Shelf (ACC 309)
- Accessory Shelf (PM 600, PM 610)
- Middle Rail Accessory (ACC680T)



Dimensions:

Weight:

15.4 lb (6.9 kg)

Shipping weight:

17.7 lb (8 kg)

Maximum Load Capacity:

350 lb (159 kg)

Shipping Carton dimensions:

L = 8.63 in (219 mm)

W = 46.75 in (1187 mm)

H = 3.88 in (99 mm)

ARCHITECTS SPECIFICATIONS

The Smartmount shall be Peerless models _____ and shall be located where indicated on the plans. It shall feature adjustable 15° of forward tilt and 15° backward tilt. It shall feature Self-balancing, one-touch tilt for effortless adjustability. Assembly and installation shall be done according to instructions provided by the manufacturer.

Peerless Industries, Inc.

3215 W. North Ave. Melrose Park, IL 60160
708-865-8870 800-865-2112 Fax 708-865-2941

www.peerlessmounts.com

ISSUED: 01-16-06 SHEET NO: 202-9514-4 07-31-07

©2006 Peerless Industries, Inc. All rights reserved.
Peerless is a registered trademark; Smart Mount and Sorted-For-You are trademarks of Peerless Industries, Inc.
All other brand and product names are trademarks or registered trademarks of their respective owners.

TECHNICAL DATA SHEET

All dimensions = inch (mm)

MODELS: ST 680, ST 680P, ST 680S, ST 680PS

