

Assembly Instructions - External Wall Plate

IMPORTANT! Read entire instruction sheet before you start installation and assembly.

Models
OP-WSP 450, OP-WSP 460,
OP-WSP 470

oshpd

**MAXIMUM OSHPD LOAD
CAPACITY: 162 lb (73.5 kg)**

⚠ WARNING

- Make sure that the wall will safely support the combined load of the equipment and all attached hardware and components.

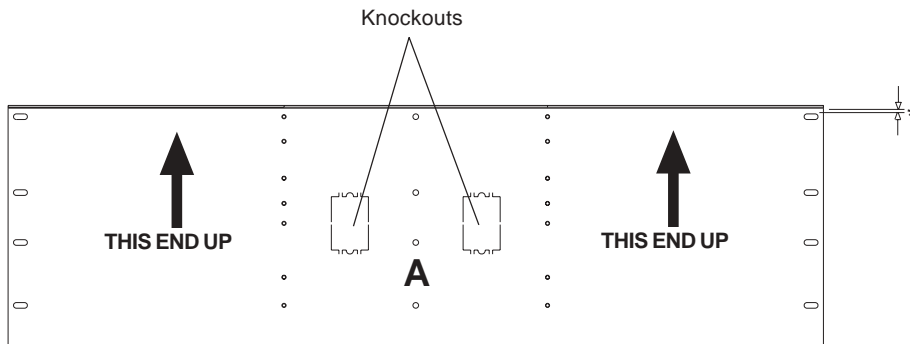
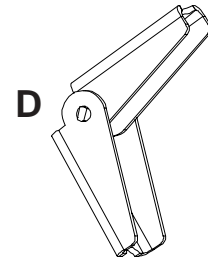
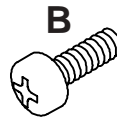
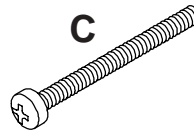
OP-WSP 450 for studs on 16" (406 mm) centers, contains two electrical box knockouts.

OP-WSP 460 for studs on 20" (508 mm) centers, contains two electrical box knockouts.

OP-WSP 470 for studs on 24" (610 mm) centers, contains two electrical box knockouts.

PARTS LIST

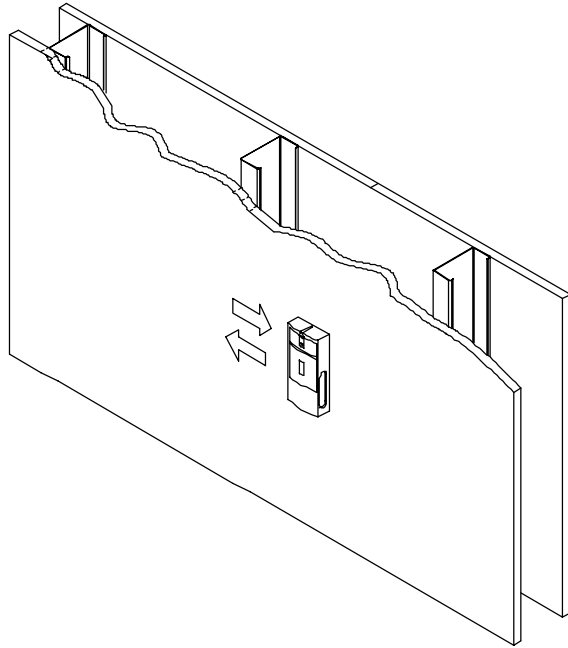
MODEL #			PART #	QTY.	DESCRIPTION
OP-WSP450	OP-WSP460	OP-WSP470			
✓			A 024-1014	1	wall plate 16" centers (black)
	✓		024-1015		wall plate 20" centers (black)
		✓	024-1016		wall plate 24" centers (black)
✓	✓	✓	B 510-9108	8	1/4-20 x 1/2" phillips screw
✓	✓	✓	C 520-9521	12	1/4-20 x 2 1/2" phillips screw
✓	✓	✓	D 590-1093	12	toggler
✓	✓	✓	E 540-9440	8	washer



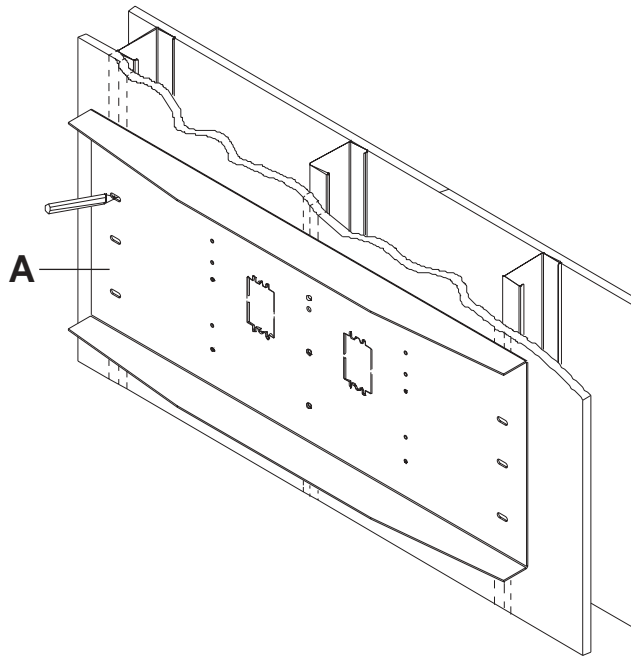
*Note: The mounting hole which is closest to the lip of the plate indicates the up position.

Note: Wall plate may appear slightly different than illustrated.

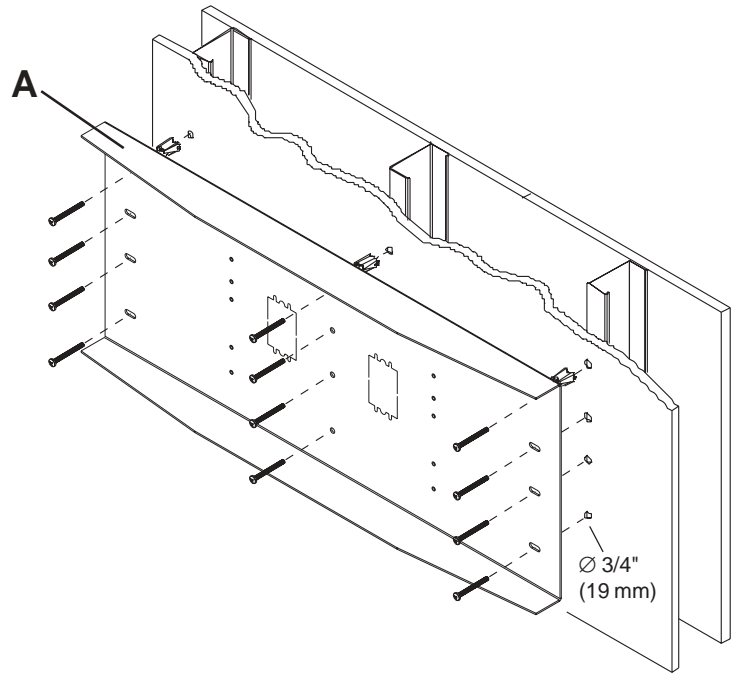
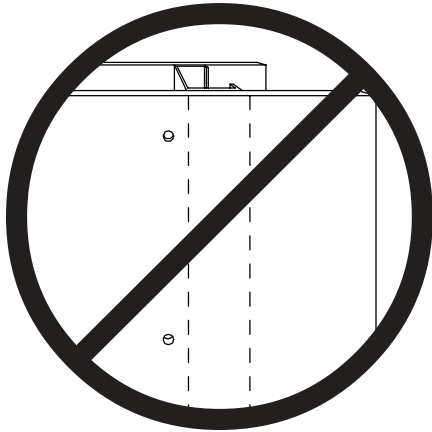
- 1** Use a stud finder to locate stud centers.



- 2** Use wall plate (A) as a template to mark slot centers on stud centers.



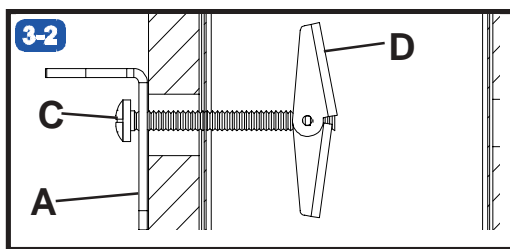
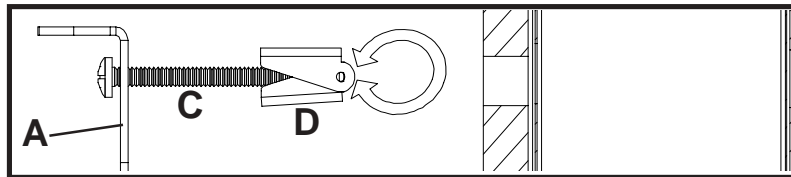
- 3** Drill twelve 3/4" (19 mm) dia. holes through drywall and studs. Insert togglers (D) as shown below..



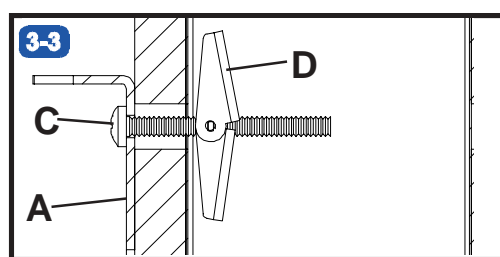
⚠ WARNING

- Make sure that mounting screws are anchored into the center of the studs. The use of an "edge to edge" stud finder is highly recommended.

- 3-1** Place screw (C) through wall plate (A). Partially fasten the toggler (D) to the back of the screw. Pivot ends of toggler (D) 90°.

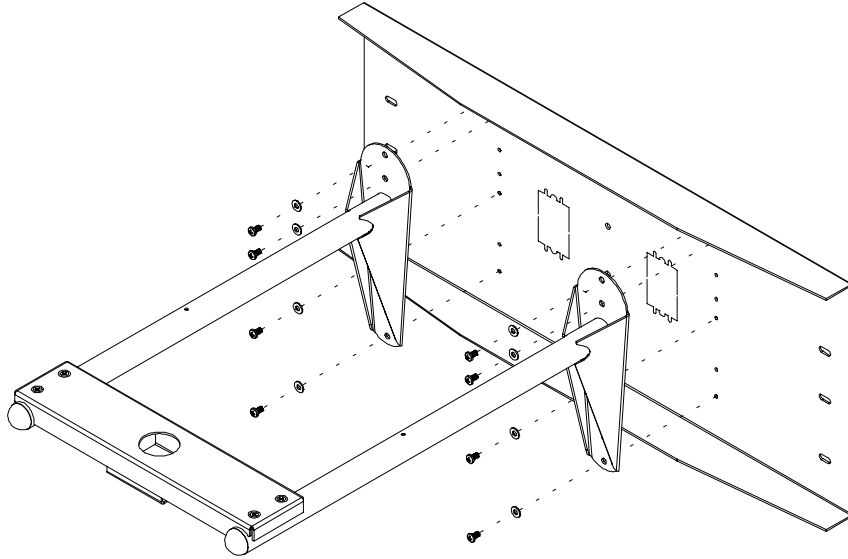


Push toggler (D) through hole. Pull screw (C) back until toggler (D) hits the inside of the metal stud.



Fasten all twelve screws (C) tight, until wall plate (A) is flush with wall.

- 4** Eight 1/4-20 x 1/2" phillips screws (**B**) and eight washers (**E**) are provided to attach mount (sold separately) to wall plate as shown below.



Note: See below for proper holes to attach mount to wall plate.

