

# TECHNICAL DATA SHEET - Jumbo 2000™ Wall Mount



**MODELS: OP-JMW 2630, OP-JMW 2640, OP-JMW 2640D,  
OP-JMW 2650, OP-JMW 2655**



**The Jumbo 2000™ Wall Mounts** completely surround and trap the monitor in place allowing for safe tilt up to 30°. Quick connect assembly allows upper portion of mount to be set first, then lower bracket lifts into place for easier installation.

**Features:**

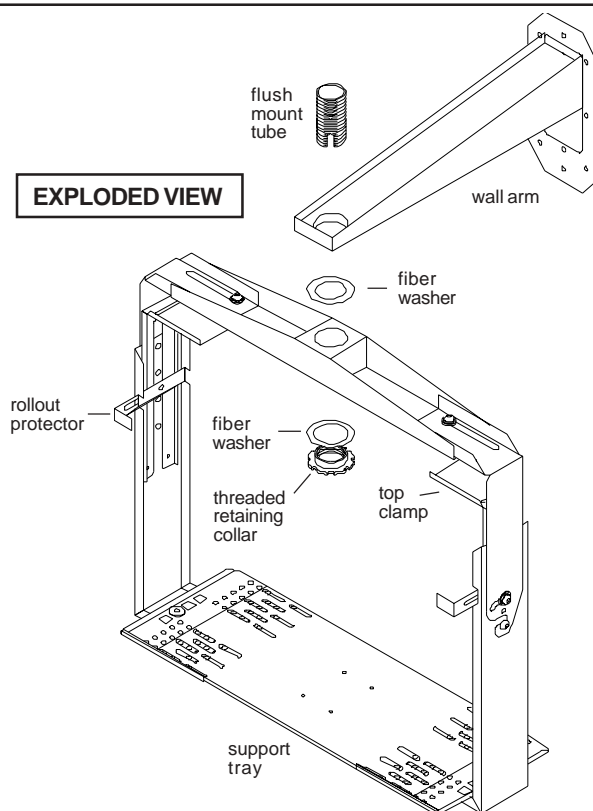
- 0° to 30° adjustable tilt, 360° swivel
- Top and front roll out protection
- Height and width adjustable to exact dimensions of monitor
- Available for 13" to 27" TV's or monitors (check dimensions for compatibility)
- VCR mount can be added after installation
- Includes Wall Arm
- Includes hardware for mounting to wood stud wall
- Heavy gauge steel construction
- Scratch resistant black fused epoxy finish

**Accessories:**

- Security fasteners model #ACC 502
- Safety belt model #ACC 666
- VCR mounts
- Concrete fasteners model #OP-ACC 204
- Concrete block fasteners #OP-ACC 307
- Bumper guards model #ACC 103
- Metal stud wall plates model #OP-WSP425, OP-WSP435, OP-WSP445
- Video conferencing shelf model #ACC 308 and #ACC 308S
- Power Buddy Hoist model #JMB 100
- Oversized roll out protectors model #ACC 016

**Dimensions:**

**For dimensions and weights, see page 2.**



**ARCHITECTS SPECIFICATIONS:**

The Television Mounting Bracket shall be a Peerless model \_\_\_\_\_ and shall be mounted where indicated on the plans. It shall feature adjustable height and width with top clamps and rollout protectors. It shall be constructed primarily of 14 gauge cold rolled steel and finished in black fused epoxy. It shall be U.L. Listed. Assembly and installation shall be done according to the instructions provided by the manufacturer.

**Peerless Industries, Inc.**  
3215 W. North Ave. Melrose Park, IL 60160  
708-865-8870 800-865-2112 Fax 708-865-2941  
[www.peerlessmounts.com](http://www.peerlessmounts.com)

**ISSUED: 05-24-05 SHEET NO: 128-9575-1**

©2005 Peerless Industries, Inc. All rights reserved.  
Peerless is a registered trademark of Peerless Industries, Inc.  
Jumbo is a trademark of Peerless Industries, Inc.

TECHNICAL DATA SHEET

**MODELS: OP-JMW 2630, OP-JMW 2640, OP-JMW 2640D, OP-JMW 2650, OP-JMW 2655**

**Max Load Capacity: 96 lb (43.5 kg)**

ALL DIMENSIONS:  $\frac{\text{INCH}}{\text{mm}}$

JUMBO WALL MOUNT KIT - SPECIFICATIONS						
Product Weight	Shipping Weight	Model Number	BRACKET INSIDE DIMENSIONS		Tray Depth L	Reach R
			Width (W)	Height (H)		
22.5 lb (10.2 kg)	29 lb (13.2 kg)	<b>OP-JMW 2630</b>	13.5" - 21" (343 mm) (533 mm)	11.4" - 17.7" (290 mm) (450 mm)	10" (254 mm)	18" (457 mm)
23.2 lb (10.5 kg)	30 lb (13.6 kg)	<b>OP-JMW 2640</b>	18" - 26" (457 mm) (660 mm)	14.2" - 20.4" (361 mm) (518 mm)	10" (254 mm)	18" (457 mm)
28.9 lb (13.1 kg)	35 lb (15.9 kg)	<b>OP-JMW 2640D</b>	18" - 26" (457 mm) (660 mm)	14.2" - 20.4" (361 mm) (518 mm)	14" (356 mm)	18" (457 mm)
28.2 lb (12.8 kg)	35 lb (15.9 kg)	<b>OP-JMW 2650</b>	24" - 31" (610 mm) (787 mm)	19.2" - 25.4" (488 mm) (645 mm)	10" (254 mm)	22.5" (572 mm)
42.3 lb (19.2 kg)	49 lb (22 kg)	<b>OP-JMW 2655</b>	24" - 31" (610 mm) (787 mm)	14.2" - 20.4" (361 mm) (518 mm)	14" (356 mm)	22.5" (572 mm)

JUMBO 2000 CARTON

Shipping Carton dimensions:

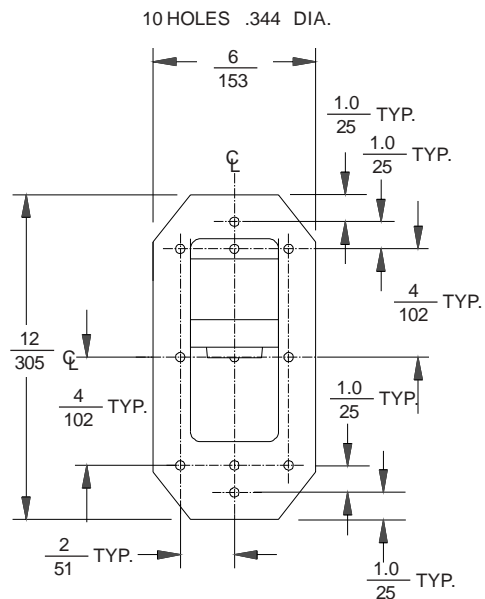
L= 15.75 (400) W= 27.5 (699) H= 9.5 (241)

WALL ARM CARTON

Shipping Carton dimensions:

L= 22.25 (565) W= 13.25 (337) H= 6 (152)

Model Number		Height Range (H)	Overall Drop (D)
OP-JMW 2630	(D3)	11.4 - 13.5 (290-343)	25.5 (648)
	(D2)	13.5 - 15.6 (343-396)	27.5 (699)
	(D1)	15.6 - 17.7 (396-450)	29.5 (749)
OP-JMW 2640, OP-JMW 2640D, OP-JMW 2655	(D3)	14.2 - 16.2 (361-412)	27.25 (692)
	(D2)	16.3 - 18.3 (412-465)	29.25 (743)
	(D1)	18.4 - 20.4 (467-518)	31.25 (794)
OP-JMW 2650D, OP-JMW 2650	(D3)	19.2 - 21.2 (488-539)	32.75 (832)
	(D2)	21.3 - 23.3 (541-592)	34.75 (883)
	(D1)	23.4 - 25.4 (594-645)	36.75 (934)



**WALL PLATE FRONT VIEW**

