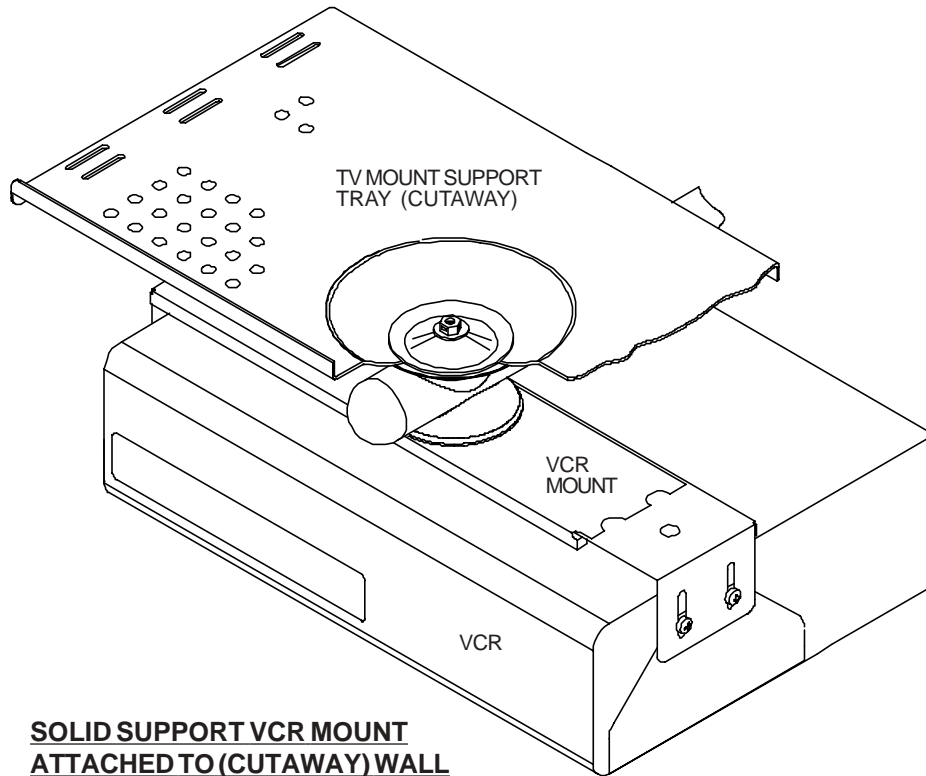


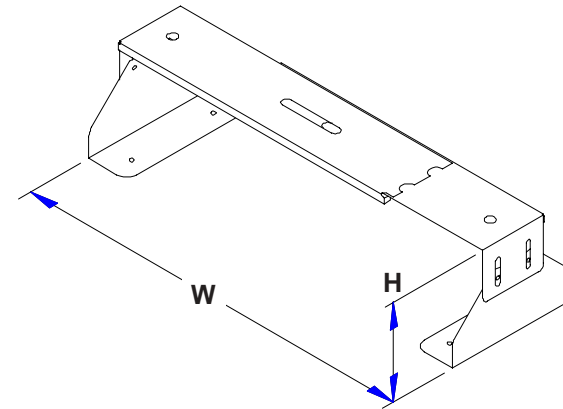
SOLID SUPPORT VCR MOUNT MODELS PM47, PM47S & PM47W
WEIGHT: 4 lbs. (1.8 kg.) SHIPPING WEIGHT: 5 lbs. (3 kg.) MAX. LOAD CAPACITY: 35 lbs. (16 kg.)

Note: Shipping weight based on single unit shipment. Per unit shipping weight may be less for bulk orders.

INSIDE DIMENSIONS		VCR DIMENSIONS	
WIDTH (W)	HEIGHT (H)	MAXIMUM	MINIMUM
13" - 17.5" (330mm - 445mm)	3" - 4" (76mm - 102mm)	17.5" x 4" (445mm x 102mm)	13" x 3" (330mm x 76mm)



**SOLID SUPPORT VCR MOUNT
 ATTACHED TO (CUTAWAY) WALL
 MOUNT**



The Peerless **Solid Support VCR Mount** is designed for attachment to any Peerless Solid Support TV Mount (with swivel cup design). Choose from black (model PM47), silver (model PM47S) or white (model PM47W) fused epoxy finish.

SOLID SUPPORT VCR MOUNT

- 16 gage steel construction surrounds and clamps the VCR.
- Scratch resistant black, silver or white fused epoxy finish.
- Adjustable width and height.
- Includes all fasteners for attachment to TV mount.



Architects Specifications:

The VCR Mount shall be a Peerless model _____ and shall be attached to a Peerless TV Mount. It shall include all fasteners for attachment to the TV wall mount. It shall be constructed of 16 gage cold rolled steel. It shall feature adjustable height and width in a design that surrounds and clamps the VCR. The finish shall be scratch resistant Black, Silver or White Fused Epoxy. It shall be UL Listed and CSA Certified. Assembly and installation shall be done according to instructions provided by the manufacturer.

**TECHNICAL DATA SHEET
 SOLID SUPPORT VCR MOUNT**

Peerless Industries, Inc.

3215 W. North Ave. phone: (708) 865-8870
 Melrose Park, IL 60160 fax: (708) 865-2941
 www.peerlessindustries.com

SHEET NO: 081-9520-2 ISSUED: 05-08-00 REVISION: 12-18-02