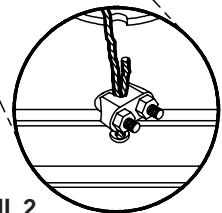
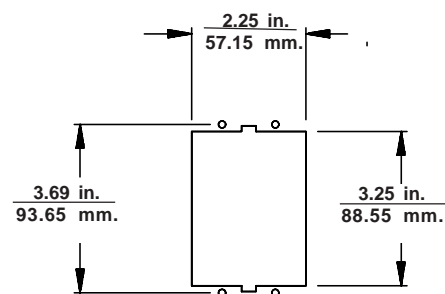


DETAIL 1
Suspended Ceiling Runner



DETAIL 2
Safety Cable and Cable Clamp.



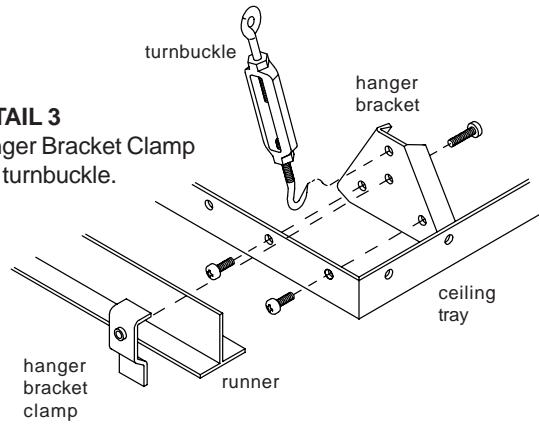
Electrical Knockout

Architects specifications:

The Suspended Ceiling Plate shall be a Peerless model CMJ 450 and shall be mounted where indicated on the plans. It shall contain a ceiling tray with a 1 1/2-11.5 NPS center threaded fitting and two knockout panels for outlet boxes (Raco 445 or Appleton 383 recommended) and antenna leads. It shall feature a tie wire support system to transfer the load to four attachment points (in the true ceiling above) with turnbuckles to fine tune the level of the ceiling tray. A center safety cable shall also be provided. It shall be U.L. Listed. The finish shall be Almond Fused Epoxy. Assembly and installation shall be done according to instructions provided by the manufacturer.

The Suspended Ceiling Plate for Jumbo Mounts consists of a 24"(610mm) x 24"(610mm) ceiling tray suspended by four tie wires from the true ceiling above. A fifth "safety cable" is also provided. Turnbuckles allow the installation to be "fine tuned". The 1 1/2-11.5 NPS threaded fitting in the center of the ceiling tray serves as the point of attachment for a Peerless Jumbo Mount TV Mount or other Peerless product specified as compatible with the Suspended Ceiling Kit. Product may be attached directly or lowered with the addition of a Peerless 1 1/2-11.5 NPT Extension Column available in several lengths. 20' (6.1m) of tie wire is provided (12 gauge annealed steel, soft, black) - enough for a 3' drop suspended ceiling. If the suspended ceiling is more than 3 feet from the true ceiling, the installer will need to obtain additional wire prior to installation.

DETAIL 3
Hanger Bracket Clamp and turnbuckle.



MAX LOAD CAPACITY 250 LB

WARNING: WEIGHT OF TV or MONITOR NOT TO EXCEED MAXIMUM LOAD CAPACITY!



WEIGHT: 20.5 LB
SHIPPING WEIGHT: 21.1 LB

Suspended Ceiling Plate for Jumbo Mounts
TECHNICAL DATA SHEET

Peerless Industries, Inc.
3215 W. North Ave. phone: (708) 865-8870
Melrose Park, IL 60160 fax: (708) 865-2941

date: 7-25-95 128-9504-3 8-20-03

© 2003 Peerless Industries, Inc. All rights reserved.
Peerless is a registered trademark of Peerless Industries, Inc.
All other brand and product names are trademarks or registered trademarks of their respective owners.