

* CMR 405 is not UL listed

All dimensions:

$\frac{\text{inch}}{\text{mm}}$

**PEERLESS 5" SECURITY CAMERA MOUNT (CMR 405)
PEERLESS 7" SECURITY CAMERA MOUNT (CMR 410)**

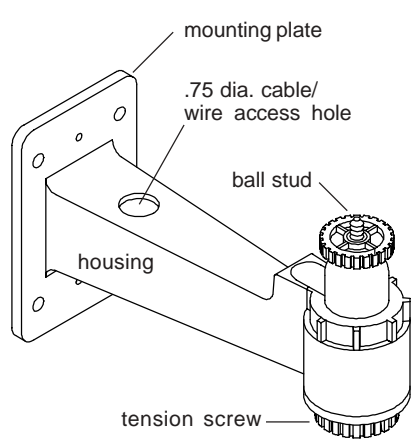
Attachment to mounting surface:

Camera Mount may be attached to wall or ceiling via the four large mounting holes in the mounting plate, or directly to a standard electrical outlet box via two small mounting holes. Hardware for attaching Camera Mount to mounting surface is not included.

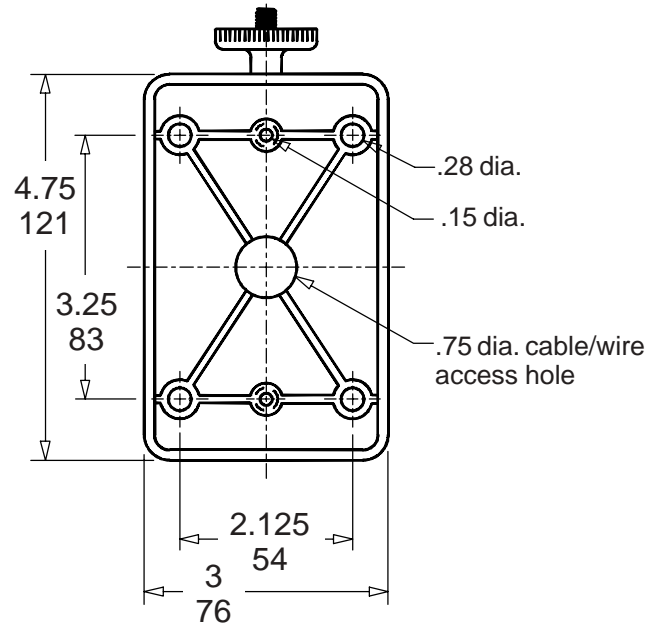
Camera attachment and position:

Angle of ball stud can be adjusted by loosening tension screw. Ball stud can be removed for attachment to camera, then reattached and locked into position at the desired angle by tightening tension screw. Ball stud removal is not required for camera attachment.

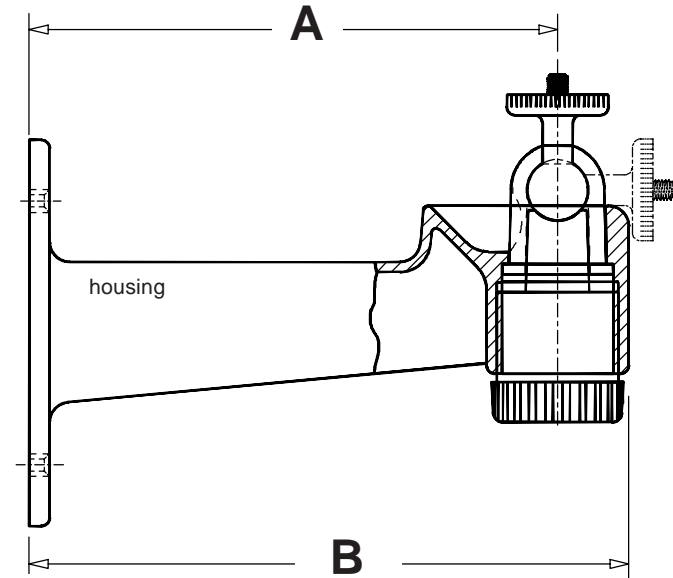
MODEL	CMR 405	CMR 410
MAX. LOAD CAPACITY	10 lbs. (4.5 kg.)	10 lbs. (4.5 kg.)
WEIGHT	.5 lbs. (.23 kg.)	.6 lbs. (.27 kg.)
SHIPPING WEIGHT	1 lb. (.5 kg.)	1 lb. (.5 kg.)
A	4.125 in. (105 kg.)	6.5 in. (165 kg.)
B	5.0 in. (127 kg.)	7.375 in. (187 kg.)



ISOMETRIC VIEW



BACK VIEW



SIDE VIEW



This product must be installed by a qualified, professional installer.

Architects Specifications:

The Camera Mount shall be a Peerless model CMR 405 or CMR 410 and shall be located where indicated on the plans. It shall be constructed of nylon to eliminate ground loop problems. It shall feature a ball and socket design for a wide range of tilt and swivel. The mounting hole pattern shall allow for attachment to a wall or ceiling, or direct attachment to an electrical outlet box. Assembly and installation shall be done according to instructions provided by the manufacturer.

**TECHNICAL DATA SHEET
LIGHT DUTY CAMERA MOUNT** Patent Pending

Peerless Industries, Inc.
3215 W. North Ave. phone: (708)865-8870
Melrose Park, IL 60160 fax: (708)865-2941