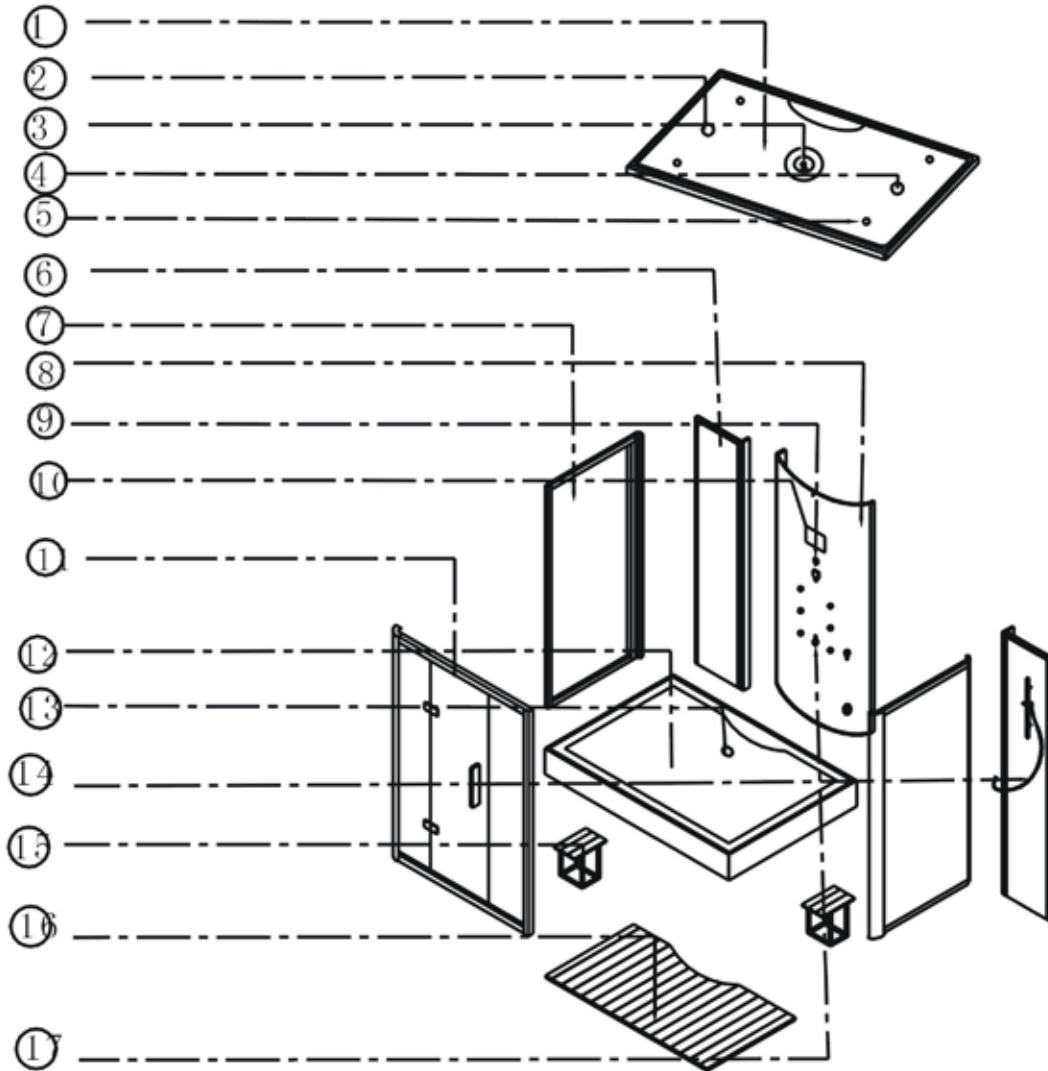


# Installation Instruction

## DZ956, DZ957

page 1 of 4



Tool: philips driver;spanner

- |                            |                           |                  |
|----------------------------|---------------------------|------------------|
| 1. cover                   | 7. side glass shower wall | 13. waster       |
| 2. ventilator              | 8. glass back panel       | 14. shower bar   |
| 3. ceiling shower          | 9. faucet                 | 15. seat         |
| 4. speaker                 | 10. TS control panel      | 16. bottom board |
| 5. lamp                    | 11. doorframe             | 17. cleaning box |
| 6. front glass shower wall | 12. shower tray           |                  |

aluminum fixing clip(2pcs) 4X12 screw(20pcs) 4mm nut(20pcs) 4mm spacer(20pcs)  
4X20 self-locking screw(2pcs) 4X10 self-locking screw(30pcs)

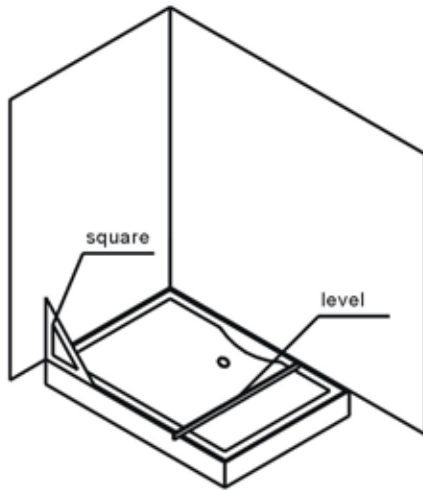
5X16 self-locking screw(20pcs)

Fittings may be modified as order, only for installation here.

# Installation Instruction

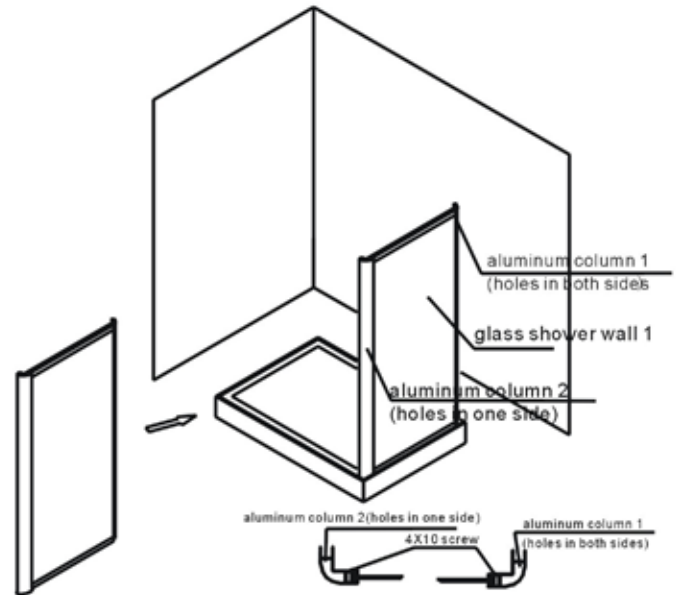
## DZ956, DZ957

page 2 of 4



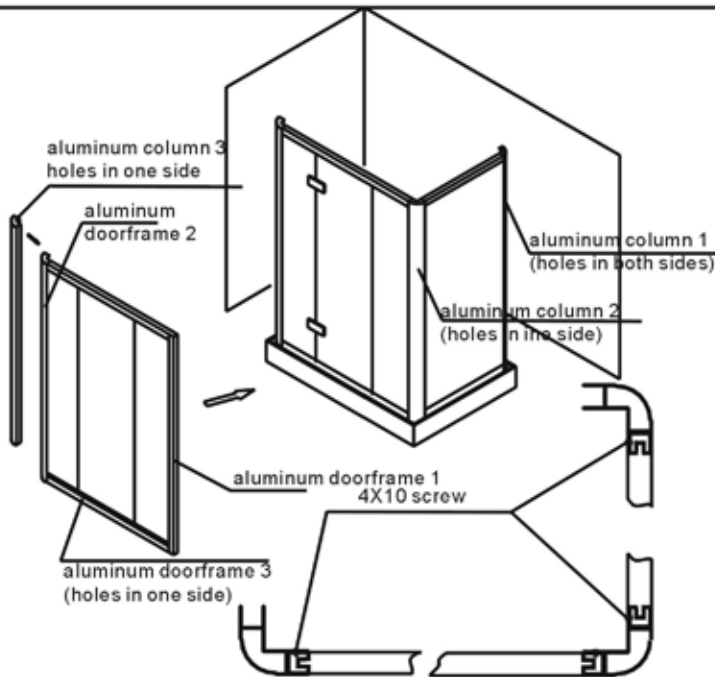
### Installation Procedure

1. Put the shower tray flatly onto the floor and unfasten the nuts in the legs of the tray. Put the level onto the shower tray to make the surface of it level, then move the tray to the corner and make sure the surface of the tray is orthogonal with the wall. Adjust the adjusting legs with spanner to make every leg touch the floor, then fasten nuts of the legs. (As illustrated)



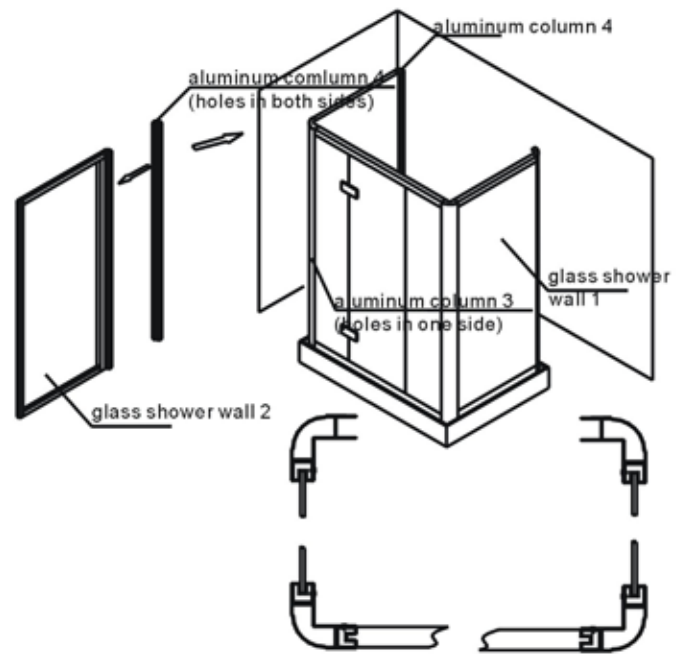
### Installation Procedure

1. Put a piece of paper onto the floor, then make the outside of aluminum crossbeam at the bottom of glass shower wall against the waterproof strip of shower tray, then cover the aluminum column 1 and 2 and fixed them with 4X10 self-locking screws. (As illustrated)



### Installation Procedure

1. Cover the aluminum column 3 onto the aluminum doorframe 2, then put the doorframe onto the shower tray. Cover the aluminum doorframe into the aluminum column 2 and make the outside of aluminum doorframe 3 against the waterproof strip of shower room, then get them connected and fixed with 4X10 self-locking screws. (As illustrated)

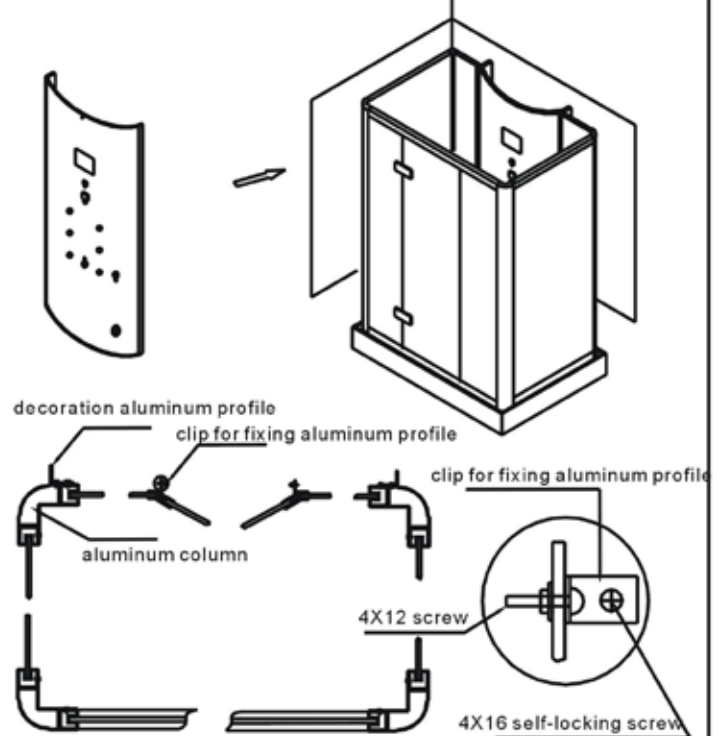
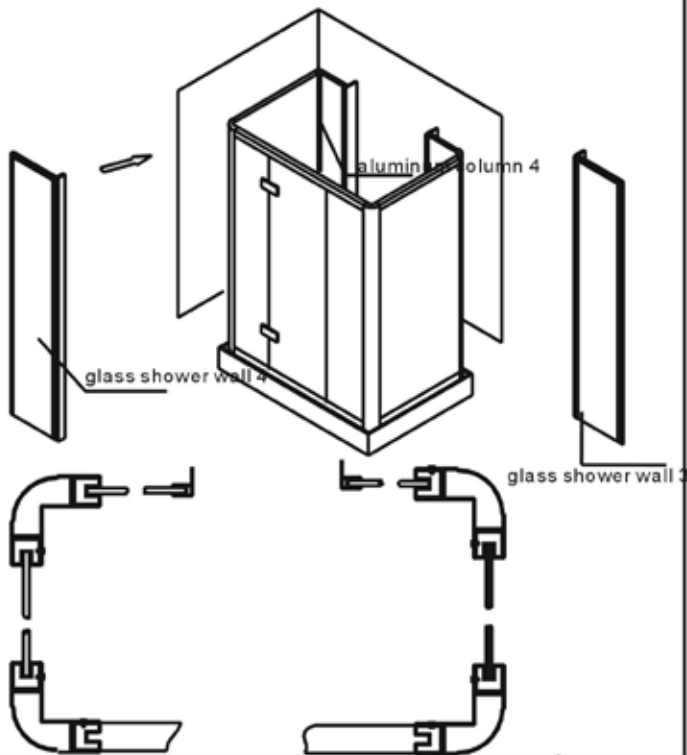


### Installation Procedure

1. Cover the aluminum column 4 onto the aluminum profile of glass shower wall 2 (as illustrated), then put the glass shower wall 2 onto the shower tray and cover the other side of its aluminum profile into the aluminum column 3. Get them connected and fixed with 4X10 self-locking screw.

# Installation Instruction

## DZ956, DZ957

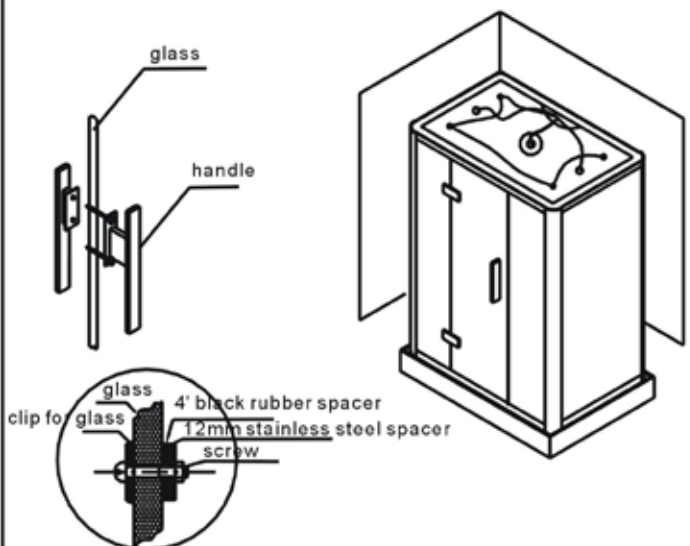
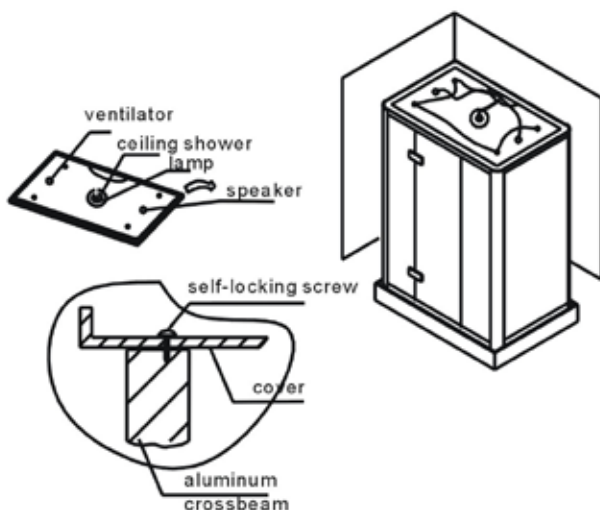


### Installation Procedure

1. Cover one side of aluminum profile of glass shower wall 3 into the aluminum column 4, then get them connected and fixed with 4X10 self-locking screws. Cover the other side of aluminum profile into the aluminum column 1, and get them connected and fixed with 4X10 self-locking screws. (As illustrated)

### Installation Procedure

1. Put the glass back panel onto the shower tray and then get them connected and fixed with 4X10 self-locking screws.  
 2. Get the aluminum column 3 and 4 connected and fixed with 4X10 self-locking screws.  
 3. Connect 2 fixing clips at the bottom of aluminum profile and then fix the other side of clips onto the shower tray with self-locking screws. (As illustrated)



### Installation Procedure

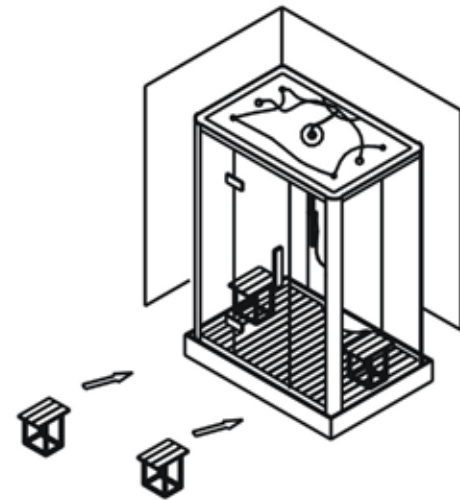
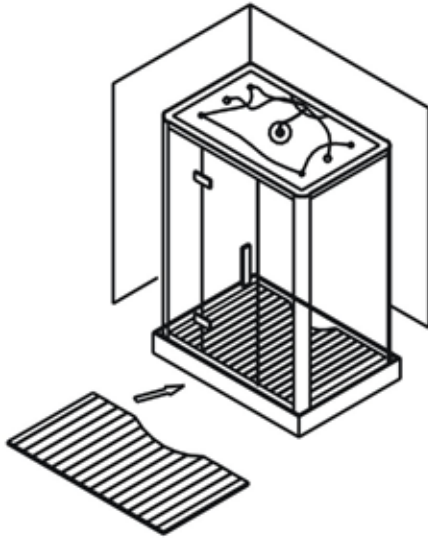
1. Put the cover onto the top of the product, and make the distance between the edge of cover and the aluminum crossbeam is even. Get the cover and the shower wall connected and fixed with self-locking screws.

### Installation Procedure

1. Install the sealing strip onto the removable and fixed door, then install handles onto the removable doors.  
 2. Get the double rack and the shelf fixed, then install the clips onto the glass. Put the shelf into the clips and get them fixed with screws.

# Installation Instruction

## DZ956, DZ957



### Installation Procedure

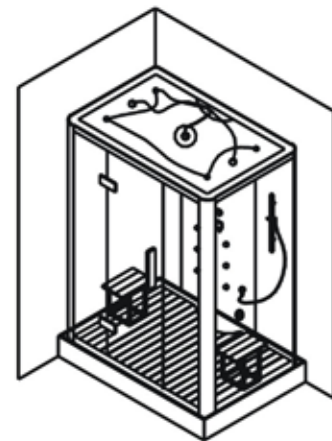
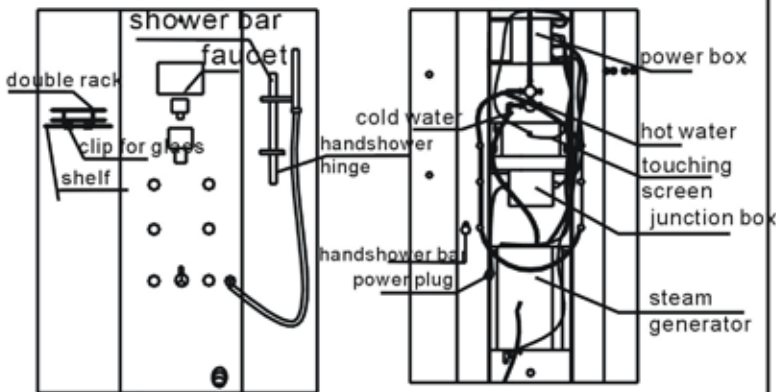
1. Put the wooden board onto the shower tray.

### Installation Procedure

1. Put the seat onto the board.

Front

Back



### Installation Procedure

1. Get faucet, handshower bar and ceiling shower connected.
2. Get the faucet and the water supply pipe connected.
3. Connect and check every power wire. Then insert the power plug into the socket.

### Installation Procedure

1. After installing, please turn on the lamp and the ventilator for checking, then check all water lines for preventing any leakage.
2. Move the product to the corner.

