



T&S BRASS AND BRONZE WORKS, INC.

2 Saddleback Cove / P.O. Box 1088
Travelers Rest, SC 29690



REG. #A2601
ISO #9001

Model No.

B-0113-B08

Item No.

Travelers Rest, SC: 800-476-4103 Simi Valley, CA: 800-423-0150 Fax: 864-834-3518 www.tsbrass.com

This Space for Architect/Engineer Approval

Job Name _____ Date _____

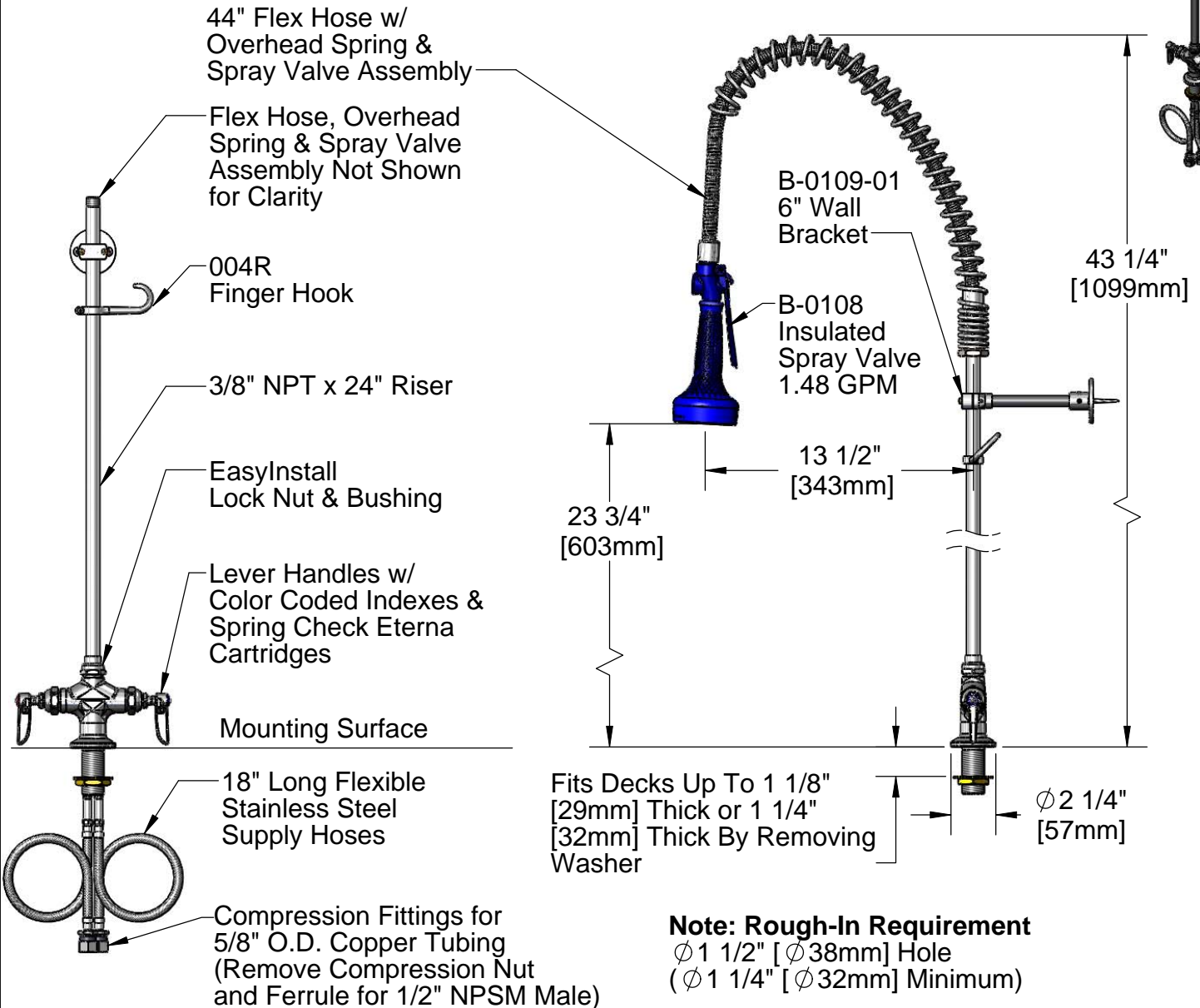
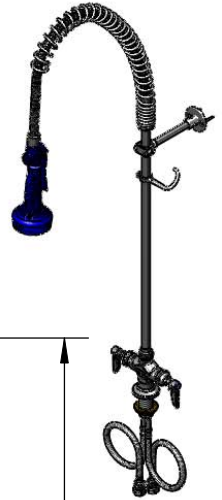
Model Specified _____ Quantity _____

Customer/Wholesaler _____

Contractor _____

Architect/Engineer _____

EPAct 2005 Compliant



Product Specifications:
EasyInstall Pre-Rinse Unit:
Single Deck Mount Base Mixing Faucet, Flexible Supply Hoses,
24" Riser, Overhead Spring, 44" Flex Hose, B-0108 Spray Valve
& 6" Wall Bracket

| | | |
|---------------|----------------|-------------------|
| Drawn KJG | Checked JRM | Approved JHB |
| Scale: 1:8 | | Date: 06/04/10 |



T&S BRASS AND BRONZE WORKS, INC.

2 Saddleback Cove / P.O. Box 1088
Travelers Rest, SC 29690



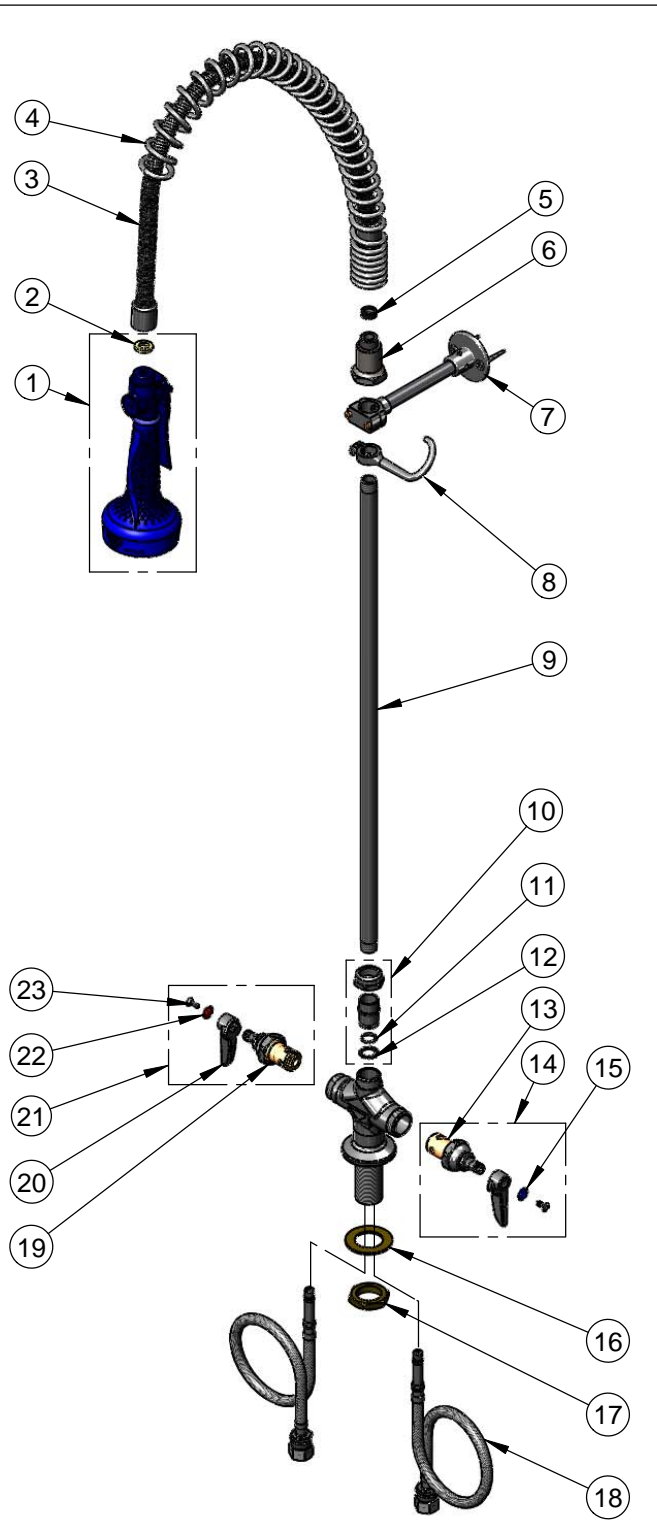
REG. #A2601
ISO #9001

Model No.

B-0113-B08

Item No.

Travelers Rest, SC: 800-476-4103 Simi Valley, CA: 800-423-0150 Fax: 864-834-3518 www.tsbrass.com



| ITEM NO. | SALES NO. | DESCRIPTION |
|----------|------------|---|
| 1 | B-0108 | Spray Valve |
| 2 | 001014-45 | Washer, B-0100 Hose Barrel |
| 3 | B-0044-H2A | 44" Flex Hose Assembly, Less Handle |
| 4 | 000888-45 | EasyInstall Overhead Spring |
| 5 | 010476-45 | #27 Washer |
| 6 | 000821-40 | Spring Body |
| 7 | B-0109-01 | 6" Wall Bracket Assembly |
| 8 | 004R | Finger Hook Assembly |
| 9 | 000372-40 | 3/8" NPT x 24" Long Riser |
| 10 | EZ-K | EasyInstall Kit: Bushing, O-Ring, Lock Washer & Loctite 222 |
| 11 | 001065-45 | O-Ring |
| 12 | 014200-45 | Star Washer, Anti-Rotation |
| 13 | 012442-40 | Cold Eterna Spindle Assembly w/ Spring Check |
| 14 | 002711-40 | Cold Eterna Spindle Assembly w/ Spring Check, Handle, Index & Screw |
| 15 | 001660-45 | Blue Index-CW |
| 16 | 002290-45 | Lock Washer |
| 17 | 000965-45 | Lock Nut |
| 18 | 012534-45 | Flexible Connector Hose (2) |
| 19 | 012443-40 | Hot Eterna Spindle Assembly w/ Spring Check |
| 20 | 001638-45 | Lever Handle |
| 21 | 002712-40 | Hot Eterna Spindle Assembly w/ Spring Check, Handle, Index & Screw |
| 22 | 001661-45 | Red Index-HW |
| 23 | 000922-45 | Lever Handle Screw |

Product Specifications:
EasyInstall Pre-Rinse Unit:
 Single Deck Mount Base Mixing Faucet, Flexible Supply Hoses,
 24" Riser, Overhead Spring, 44" Flex Hose, B-0108 Spray Valve
 & 6" Wall Bracket

| | | |
|----------------------|-----------------------|--------------------------|
| Drawn KJG | Checked JRM | Approved JHB |
| Scale: NTS | | Date: 06/04/10 |