



T&S BRASS AND BRONZE WORKS, INC.

2 Saddleback Cove / P.O. Box 1088
Travelers Rest, SC 29690



REG. #A2601
ISO #9001

Model No.
B-0202

Item No.

Travelers Rest, SC: 800-476-4103 Simi Valley, CA: 800-423-0150 Fax: 864-834-3518 www.tsbrass.com

This Space for Architect/Engineer Approval

Job Name _____ Date _____

Model Specified _____ Quantity _____

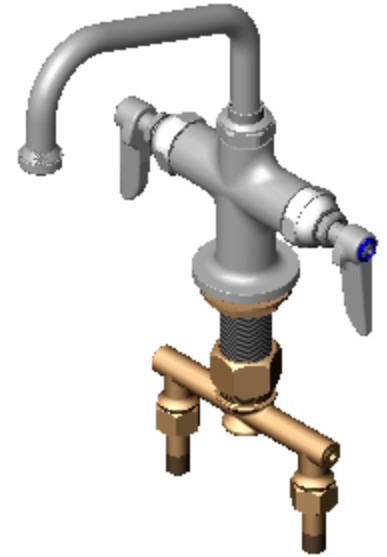
Customer/Wholesaler _____

Contractor _____

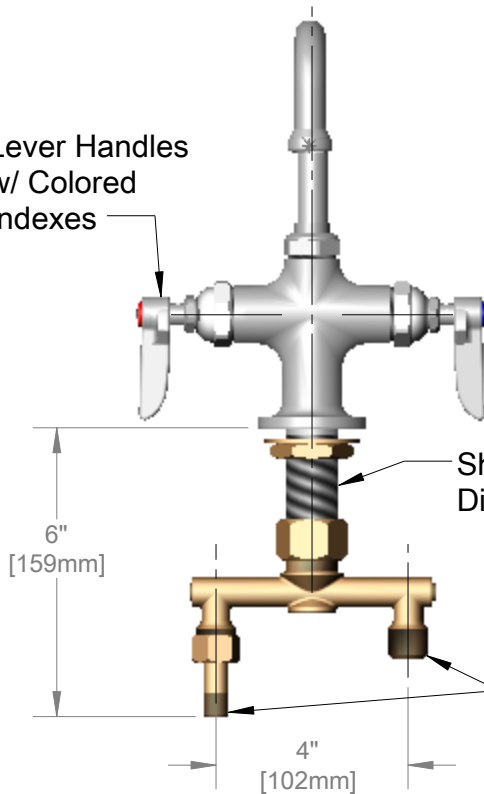
Architect/Engineer _____

Variations or Applicable Options:

- WH6 6" Wrist Action Handles
- WH4 4" Wrist Action Handles
- 175F 4-Arm Kitchen Handles
- B-0199-01 2.2 GPM Aerator

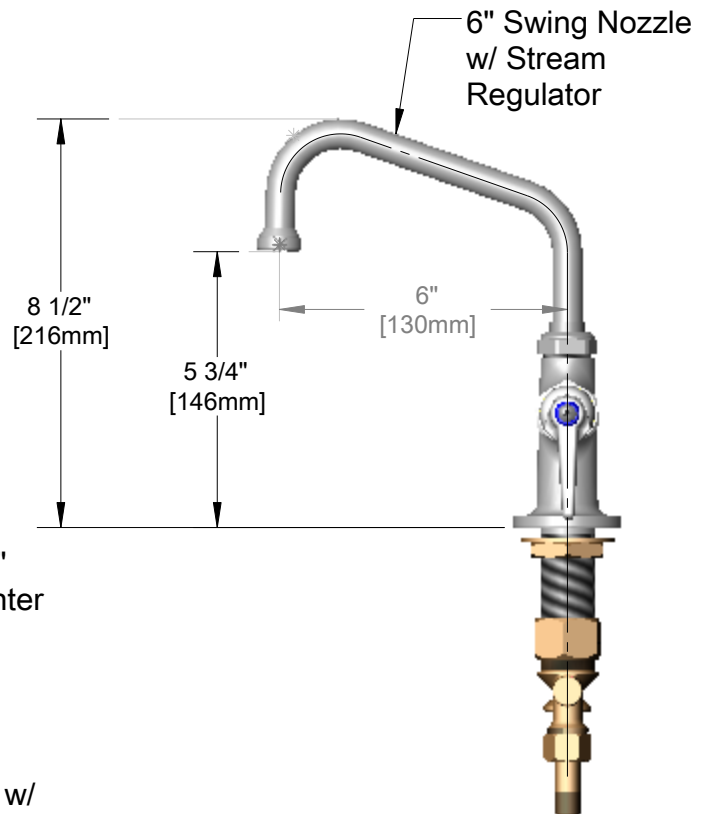


Lever Handles
w/ Colored
Indexes



Shank Requires 1-1/4" Dia. Mtg. Hole in Counter

Spreader Asm. w/
1/4" NPT Male Tail-
Pieces. Remove Tailpieces
for 1/2" NPT Male



Product Specifications:

Single Hole Deck Mount Mixing Fct w/ Undercounter
Spreader, Lever Handles, Eterna Cartridges,
6" Swing Nozzle, Stream Regulator

Drawn
WJS

Checked
GEF

Approved
JHB

Scale:

1:4

Date:

09/18/06



T&S BRASS AND BRONZE WORKS, INC.

2 Saddleback Cove / P.O. Box 1088
Travelers Rest, SC 29690



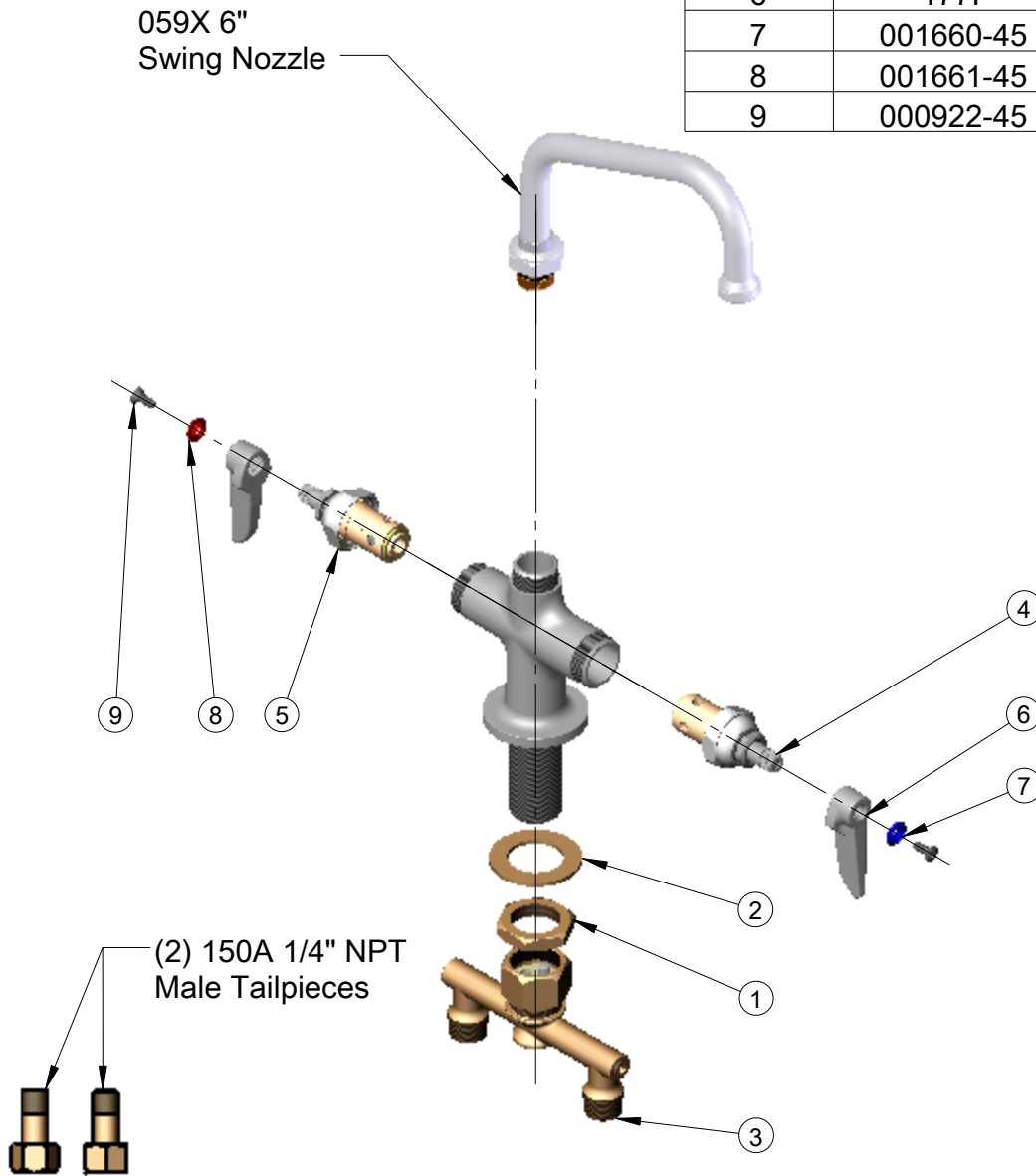
REG. #A2601
ISO #9001

Model No.
B-0202

Item No.

Travelers Rest, SC: 800-476-4103 Simi Valley, CA: 800-423-0150 Fax: 864-834-3518 www.tsbrass.com

ITEM	PART NO.	DESCRIPTION
1	000965-45	Lock Nut
2	007365-45	Lock Washer
3	002898-40	Spreader Assembly
4	005959-40	Eterna Barrel Asm-Cold
5	005960-40	Eterna Barrel Asm-Hot
6	177F	Lever Handle
7	001660-45	Blue Index-CW
8	001661-45	Red Index-HW
9	000922-45	Lever Handle Screw



Product Specifications:

Single Hole Deck Mount Mixing Fct w/ Undercounter Spreader, Lever Handles, Eterna Cartridges, 6" Swing Nozzle, Stream Regulator

Drawn WJS	Checked GEF	Approved JHB
Scale: 1:4		Date: 09/18/06