



T&S BRASS AND BRONZE WORKS, INC.

2 Saddleback Cove / P.O. Box 1088
Travelers Rest, SC 29690



REG. #A2601
ISO #9001

Model No.

B-0575

Item No.

Travelers Rest, SC: 800-476-4103 Simi Valley, CA: 800-423-0150 Fax: 864-834-3518 www.tsbrass.com

This Space for Architect/Engineer Approval

Job Name _____ Date _____

Model Specified _____ Quantity _____

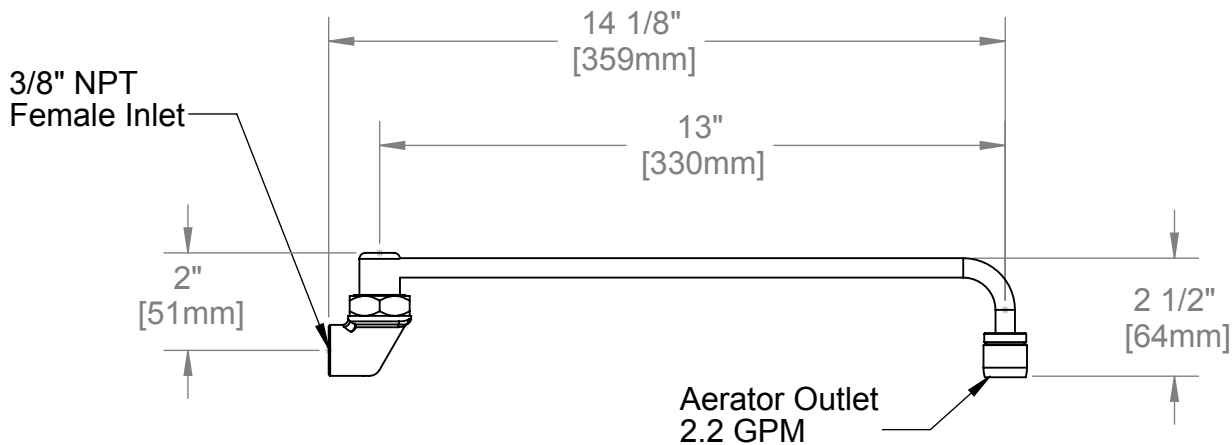
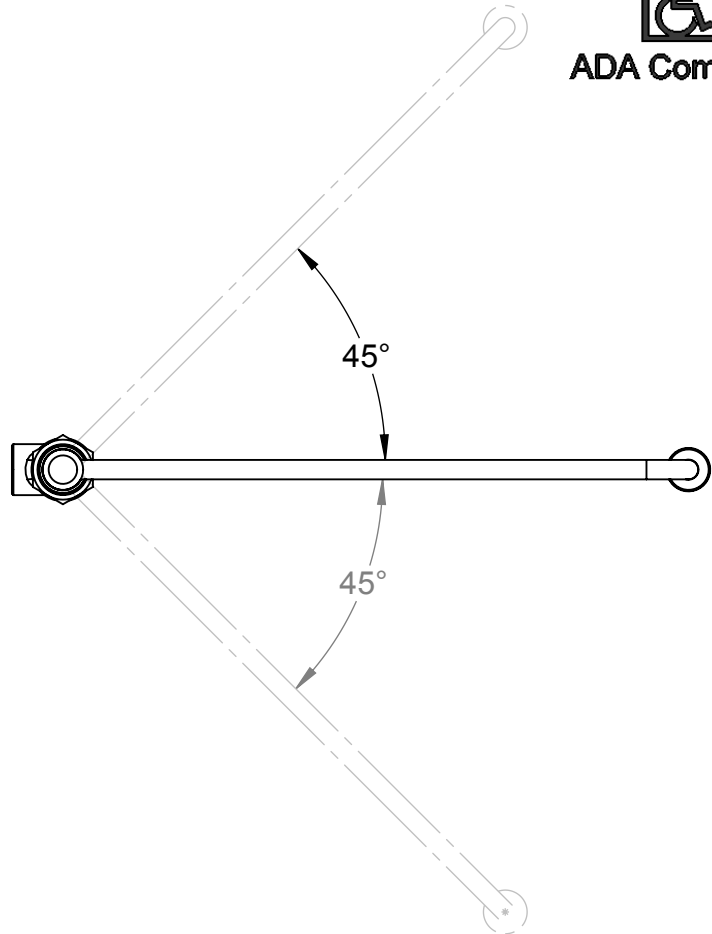
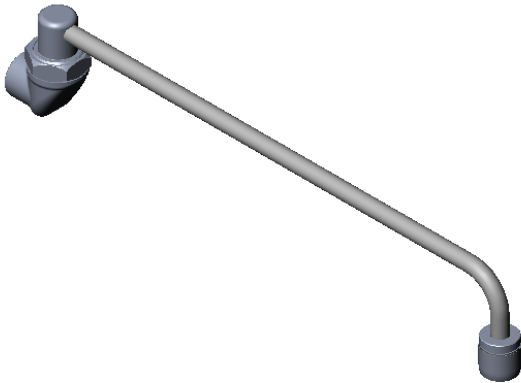
Customer/Wholesaler _____

Contractor _____

Architect/Engineer _____



ADA Compliant



Product Specifications:
Range Faucet

Drawn
KJG

Checked
DHL

Approved
JHB

Scale:

1:8

Date:

9/7/07



T&S BRASS AND BRONZE WORKS, INC.

2 Saddleback Cove / P.O. Box 1088
Travelers Rest, SC 29690



REG. #A2601
ISO #9001

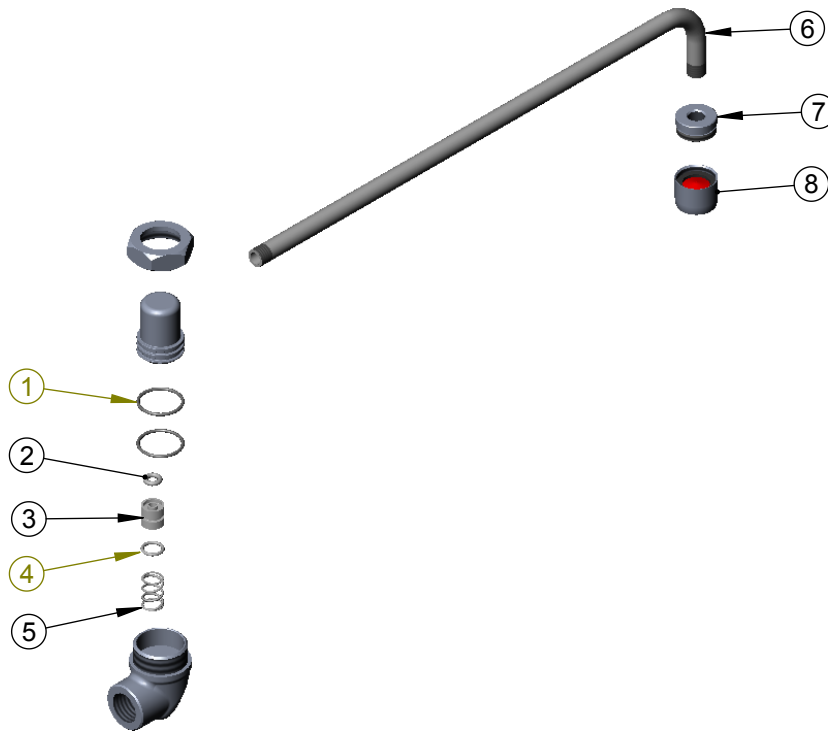
Model No.

B-0575

Item No.

Travelers Rest, SC: 800-476-4103 Simi Valley, CA: 800-423-0150 Fax: 864-834-3518 www.tsbrass.com

ITEM NO.	SALES NO.	DESCRIPTION
1	001069-45	O-Ring
2	009268-45	O-Ring
3	001621-20	Dynamic Bearing
4	009267-45	O-Ring
5	001625-45	Wrist Action Return Spring
6	001626-40	Nozzle
7	001624-25	Adapter, 1/8" Female
8	B-0199-01	Aerator, 2.2 GPM, 55/64-27 Female



Product Specifications:

Range Faucet

Drawn

KJG

Checked

DHL

Approved

JHB

Scale:

1:4

Date:

9/7/07