



T&S BRASS AND BRONZE WORKS, INC.

2 Saddleback Cove / P.O. Box 1088
Travelers Rest, SC 29690



REG. #A2601
ISO #9001

Model No.
B-0665-BSTR

Item No.

Travelers Rest, SC: 800-476-4103 Simi Valley, CA: 800-423-0150 Fax: 864-834-3518 www.tsbrass.com

This Space for Architect/Engineer Approval

Job Name _____ Date _____

Model Specified _____ Quantity _____

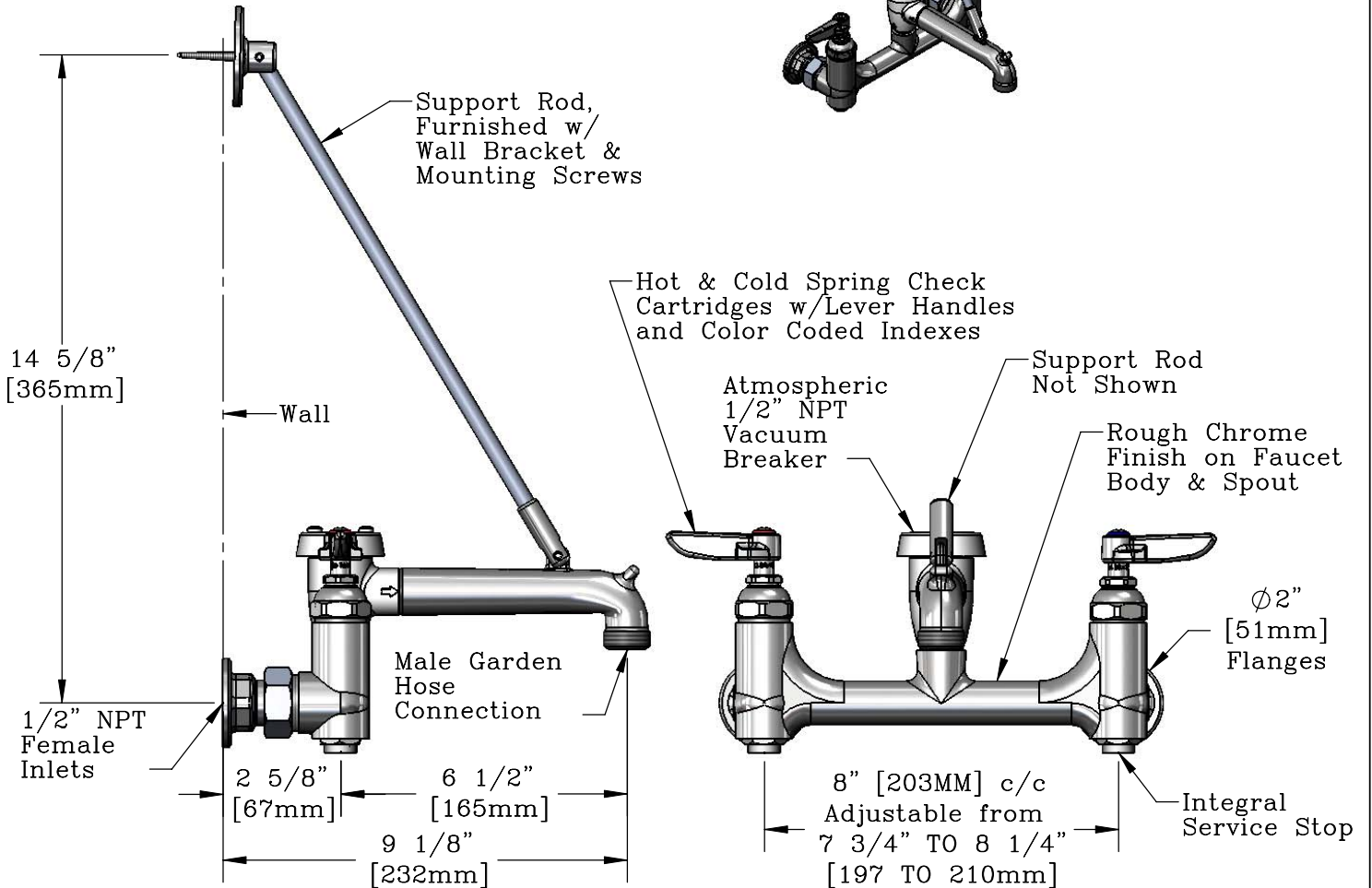
Customer/Wholesaler _____

Contractor _____

Architect/Engineer _____



ADA Compliant



Product Specifications:

Service Sink, Inlet Stops, Spring Check Cartridges, Lever Handles, Rough Chrome

Drawn
DHL

Checked
GEF

Approved
JHB

Scale:

1:4

Date:

10/28/2009



T&S BRASS AND BRONZE WORKS, INC.

2 Saddleback Cove / P.O. Box 1088
Travelers Rest, SC 29690



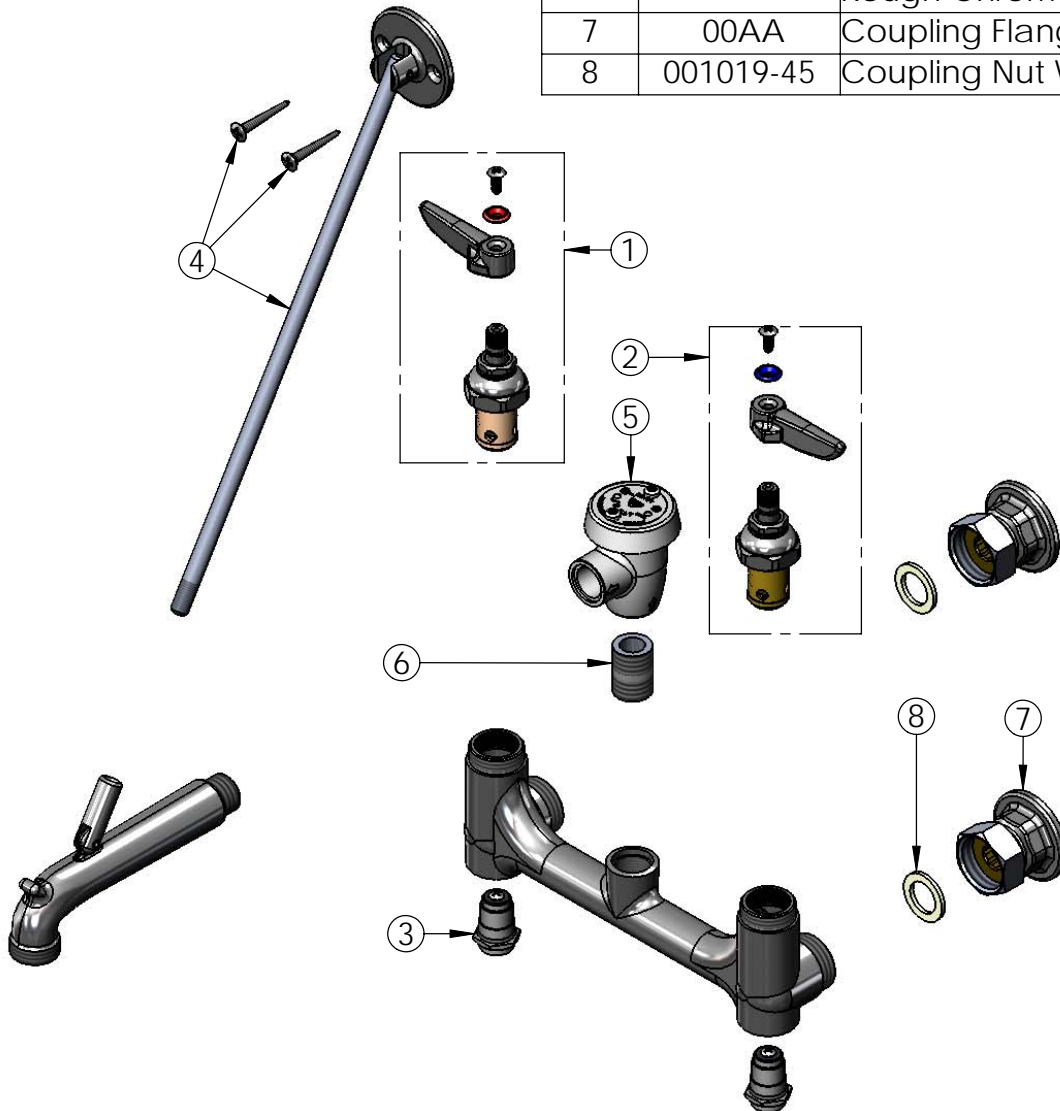
REG. #A2601
ISO #9001

Model No.
B-0665-BSTR

Item No.

Travelers Rest, SC: 800-476-4103 Simi Valley, CA: 800-423-0150 Fax: 864-834-3518 www.tsbrass.com

ITEM	SALES NO.	DESCRIPTION
1	002712-40	ETRNA SPDL ASM HOT
2	002711-40	ETRNA SPDL ASM COLD
3	163A	BST Assembly 163A
4	009546-40	Upper Support Rod Asm.
5	B-0969	Vacuum Breaker, 1/2
6	002534-25	Close Nipple, 1/2" x 1 5/32" Lg Rough Chrome
7	00AA	Coupling Flange Asm
8	001019-45	Coupling Nut Washer



Product Specifications:

Service Sink, Inlet Stops, Spring Check Cartridges,
Lever Handles, Rough Chrome

Drawn DHL	Checked GEF	Approved JHB
Scale: 1:4		Date: 10/28/2009