



Installation and Maintenance Instructions

Limited One Year Warranty

T&S warrants to the original purchaser (other than for purposes of resale) that such product is free from defects in material and workmanship for a period of one (1) year from the date of purchase. During this one-year warranty period, if the product is found to be defective, T&S shall, at its options, repair and/or replace it. To obtain warranty service, products must be returned to...

*T&S Brass and Bronze Works, Inc.
Attn: Warranty Repair Department
2 Saddleback Cove
Travelers Rest, SC 29690*

Shipping, freight, insurance, and other transportation charges of the product to T&S and the return of repaired or replaced product to the purchaser are the responsibility of the purchaser. Repair and/or replacement shall be made within a reasonable time after receipt by T&S of the returned product. This warranty does not cover items which have received secondary finishing or have been altered or modified after purchase, or for defects caused by physical abuse to or misuse of the product, or shipment of the products.

Any express warranty not provided herein, and any remedy for Breach of Contract which might arise, is hereby excluded and disclaimed. Any implied warranties of merchantability or fitness for a particular purpose are limited to one year in duration. Under no circumstances shall T&S be liable for loss of use or any special consequential costs, expenses or damages.

Some states do not allow limitations on how long and implied warranty lasts or the exclusion or limitation of incidental or consequential damages, so the above limitations or exclusions may not apply to you. Specific rights under this warranty and other rights vary from state to state.

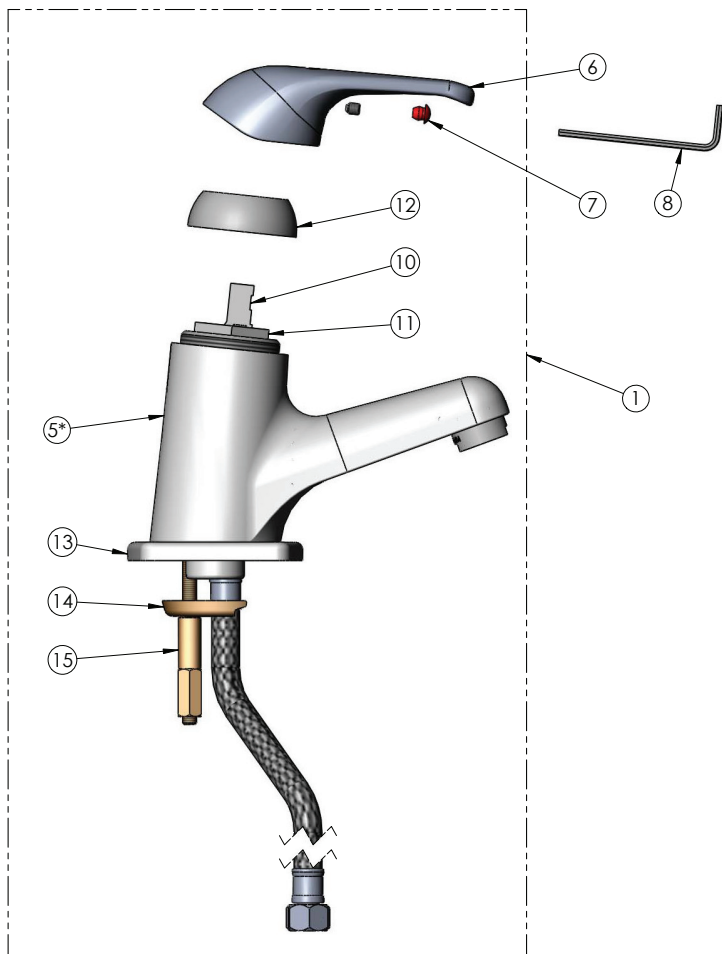


B-2701, B-2703, B-2710 & B-2711 SERIES SINGLE LEVER FAUCETS (with or without Pop-Up)

P/N: 098-013122-45 Rev.4
Date: 02-16-09
Drawn: TEH
Checked: DMH 03-18-09
Approved: JHB 03-20-09

Exploded View

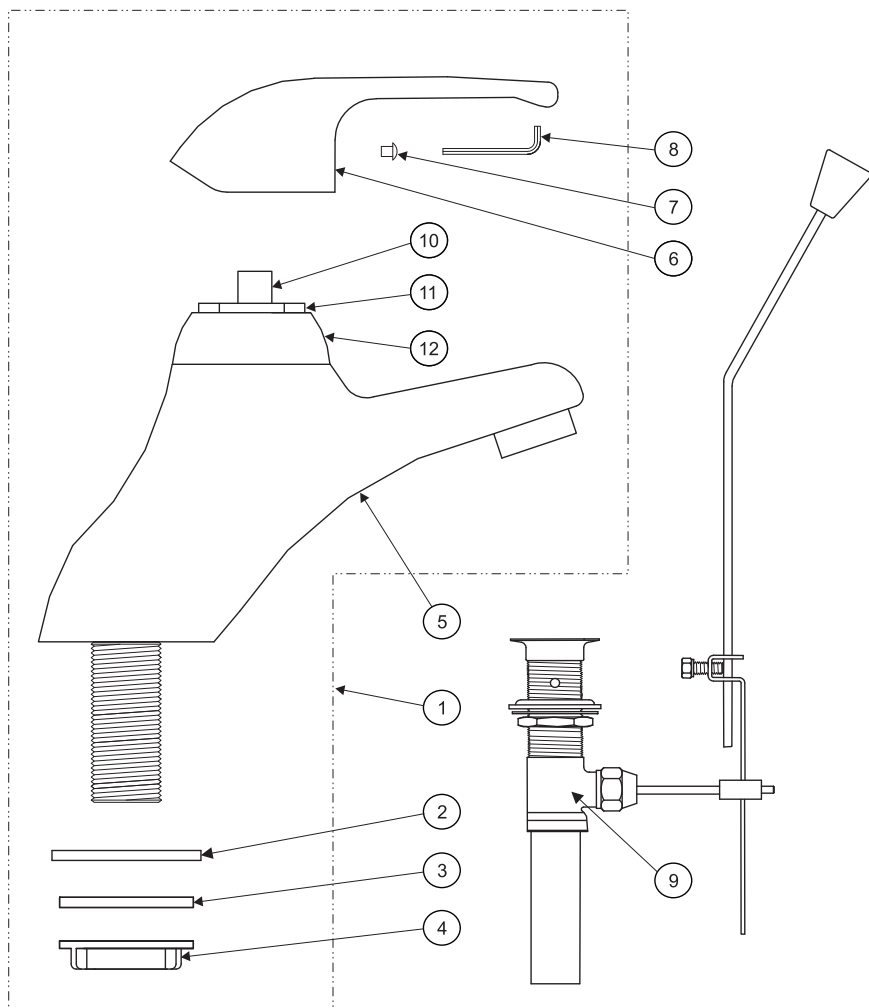
B-2701 & B-2703 Series



* Some items are listed for instructional purposes and may not be sold as individual parts.

Exploded View

B-2710 & B-2711 Series



* Some items are listed for instructional purposes and may not be sold as separate parts.

Part Number Guide

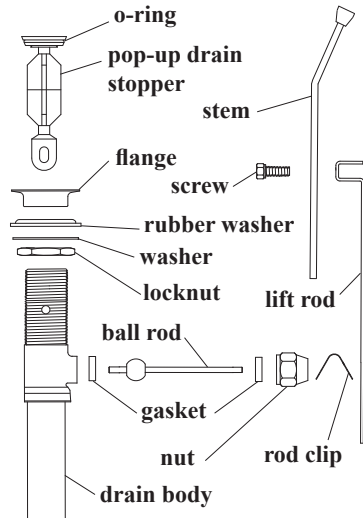
1	Asm, Single Lever Rigid Base Faucet	B-2701
	Asm, Single Lever Rigid Base Faucet w/ 4" Deckplate	B-2703
	Asm, Single Lever Faucet w/ Pop-Up Drain	B-2710
	Asm, Single Lever Faucet	B-2711
2	Gasket, Waterproof	014167-45
3	Lock Washer	000999-45
4	Lock Nut	016673-45
	Kit, Lock Washer and Lock Nut	014166-45
5	Faucet Body	*
6	Handle	013113-45
7	Plug	014173-45
8	3/32" Hex Key (not included)	010587-45
9	Pop-Up Drain	B-0898
10	Cartridge, Metal Stem w/ Temperature Limit Stop	013111-45
11	Retaining Nut	016663-45
12	Retaining Ring	016661-45
13	4" Deckplate	013824-40
14	C-Ring	016842-45
15	Lock Nut	016841-40

General Instructions

Faucet Installation (B-2701 & B-2703)

(Refer to diagram on page 2)

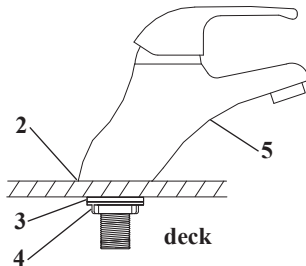
1. Shut off water supply lines. Drill a 1-1/2" diameter hole in countertop where no.5 will be installed.
2. Clean countertop and bottom of no.5. Apply putty to bottom of no.5.
3. If installing no.13, apply putty to bottom contact face of no.13.
4. With no.14 and no.15 removed place hoses and threaded rod at bottom of no.5 through the 1-1/2" diameter hole.
5. Place no.14 and no.15 on threaded rod and tighten.
6. Connect water supply and check for leaks.



Faucet Installation (B-2710 & B-2711)

(Refer to diagram below)

1. Shut off water supply and drain lines. Clean sink surface thoroughly.
2. Install no.5 with no.2 on top of the deck or sink.
3. Place no.3 and no.4 on the shank of no.5 and tighten fully.

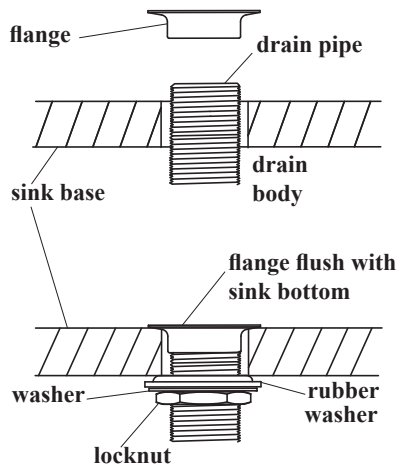


4. Connect water supply lines and check for leaks.

Pop-Up Valve Installation

1. Remove **pop-up drain stopper**, with **o-ring** and **flange**, from **pop-up assembly**.
2. Remove **rod clip**, **lift rod**, **rod guide nut** and **rod ball assembly** from **drain body**.

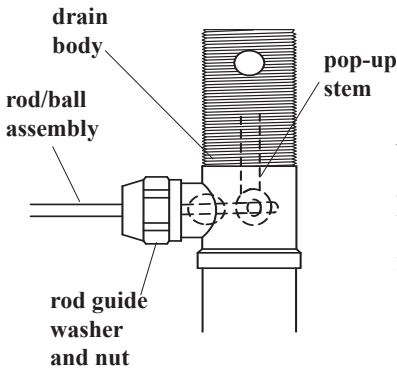
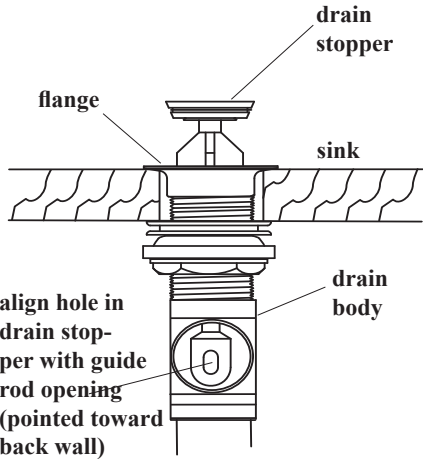
3. Insert **drain body** from bottom of sink drain hole, reassemble **flange** to **drain body**, tightening as far possible.



4. Slide **rubber washer** on **drain pipe** up against bottom of sink. Tighten **washer** and **locknut** firmly against base for a tight seal.

General Instructions

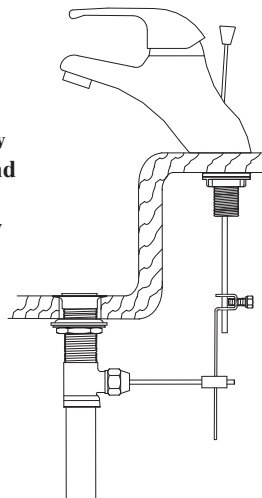
5. Replace **pop-up drain stopper** in **drain body**, with 'o'-ring in place, and align stopper hole with guide and opening.
6. Reinsert **rod ball assembly** back into **drain body** and through hole in **drain stopper**.
7. Insert **pop-up stem** through hole in faucet body. Attach **lift rod** to **pop-up stem** by inserting **stem** through hole in **lift rod**. Reassemble **rod guide**, **washer** and **nut**, and tighten firmly.



8. Adjust **pop-up stem** to correct height by opening drain, and sliding **lift rod** and **rod clip** at the same time onto **rod/ball assembly**. Readjust **lift rod screw** if necessary, hand-tighten.

9. Make connection to supply lines.
10. Turn on water supply and check for leaks.

Side view faucet and pop-up assembly



General Instructions

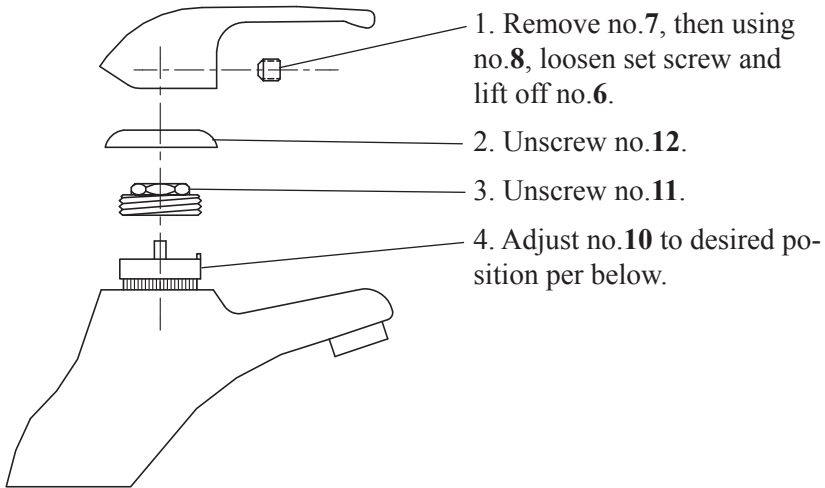
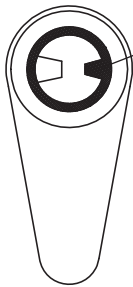
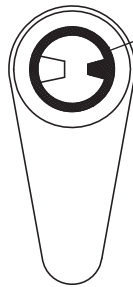


Figure 1



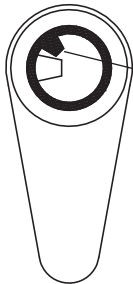
Normal factory set position allows full mixing of hot and cold water.

Figure 2



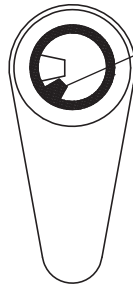
Using needle nose pliers, carefully lift off the temperature limit stop ring from the cartridge body. Re-set the ring onto the body per Figure 4 or 5.

Figure 3



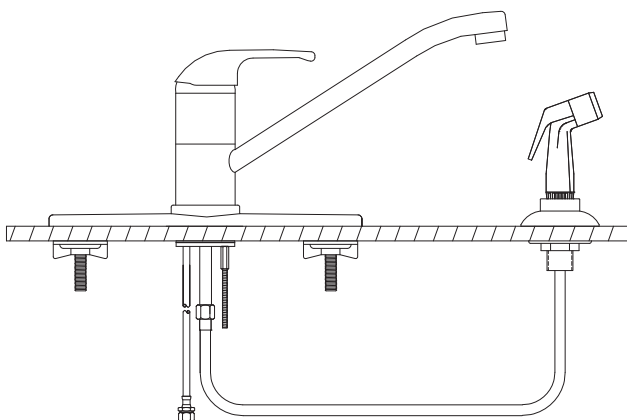
Place ring into this position to reduce the amount of hot water available. Result: cold to warm water only.

Figure 4



Place ring into this position to reduce the amount of cold water available. Result: warm to hot water only.

Figure 5



B-2730 & B-2731
Single Lever
Faucets

T&S BRASS AND BRONZE WORKS, INC.

A firm commitment to application-engineered plumbing products

2 Saddleback Cove, P.O. Box 1088,
Travelers Rest, SC 29690

Phone: (864) 834-4102

Fax: (864) 834-3518

E-mail: tsbrass@tsbrass.com

T & S Brass-Europe

'De Veenhoeve'

Oude Nieuwveenseweg 84

2441 CW Nieuwveen

The Netherlands



RELIABILITY BUILT IN™