



T&S BRASS AND BRONZE WORKS, INC.

2 Saddleback Cove / P.O. Box 1088
Travelers Rest, SC 29690



REG. #A2601
ISO #9001

Model No.

BL-5700-08

Item No.

Travelers Rest, SC: 800-476-4103 Simi Valley, CA: 800-423-0150 Fax: 864-834-3518 www.tsbrass.com

This Space for Architect/Engineer Approval

Job Name _____ Date _____

Model Specified _____ Quantity _____

Customer/Wholesaler _____

Contractor _____

Architect/Engineer _____



ADA Compliant



B-0968
Vacuum Breaker

B-0198
Serrated
Tip and
Washer

5 11/16"
[144mm]

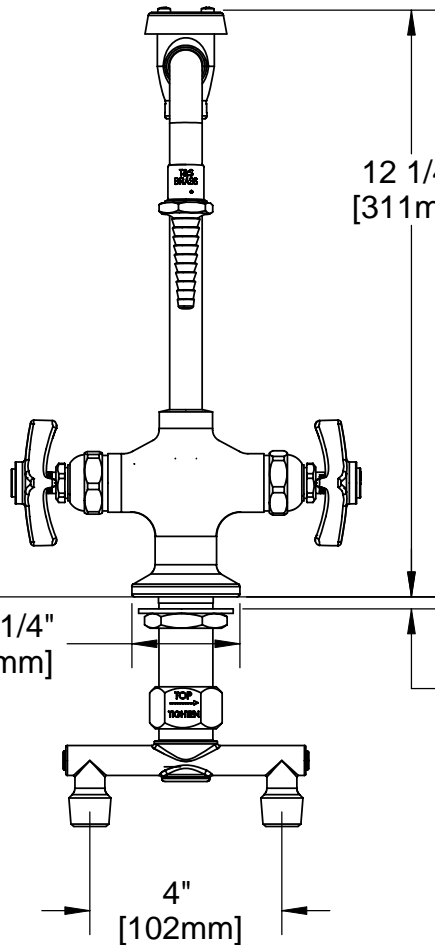
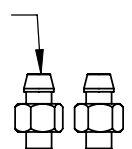
6"
[152mm]

Mounting Surface

000059-40
4-Arm Handles w/
Color Coded Indexes

1/2" NPT Male Shanks

150A
Tailpiece & Nut for
1/4" NPT Connection



Note: Rough-In Requirements

- Ø 1 1/2" [Ø 38mm] Hole
- Ø 1 1/4" [Ø 32mm] Minimum

Product Specifications:

Deck Mount Laboratory Mixing Faucet w/
Rigid Vacuum Breaker Nozzle, Serrated Tip
& 4-Arm Handles

Drawn KJG	Checked DHL	Approved JHB
Scale: 1:4		Date: 06/30/08



T&S BRASS AND BRONZE WORKS, INC.

2 Saddleback Cove / P.O. Box 1088
Travelers Rest, SC 29690

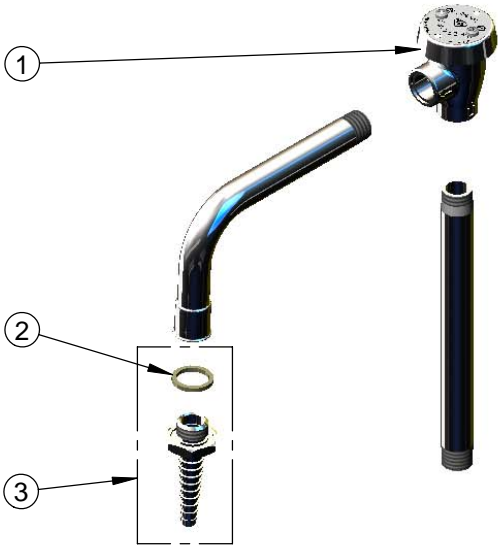


REG. #A2601
ISO #9001

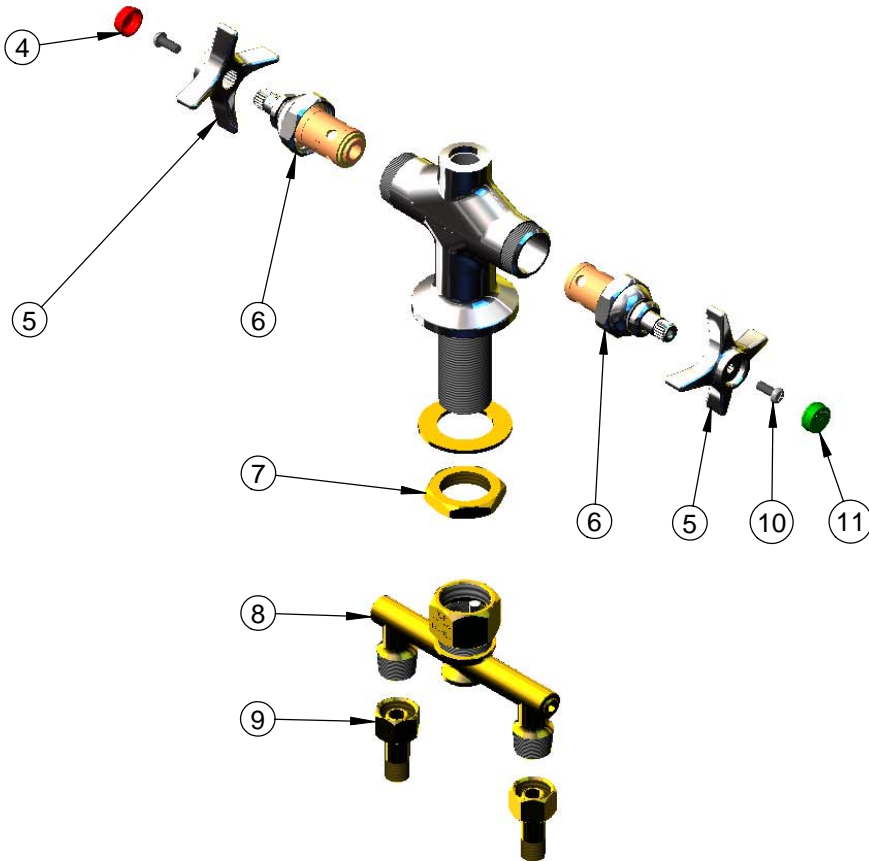
Model No.
BL-5700-08

Item No.

Travelers Rest, SC: 800-476-4103 Simi Valley, CA: 800-423-0150 Fax: 864-834-3518 www.tsbrass.com



ITEM NO.	SALES NO.	DESCRIPTION
1	B-0968	Vacuum Breaker Asm, 3/8" NPT Repair Kit
2	001051-45	Washer, 7/8" OD X 11/16 ID X 3/32 Thick
3	B-0198	Serrated Tip & Washer
4	001194-45	Red HW Index
5	000059-40	4-Arm Lab Handle
6	005960-40	Spindle Asm, Eterna "Hot"
7	000965-45	Lock Nut
8	002898-40	Spreader Assembly
9	150A	Nut and Tailpiece Assembly
10	000925-45	Lab Handle Screw
11	001191-45	Cap, Index, Green, Cold Water



Product Specifications:

Deck Mount Laboratory Mixing Faucet w/
Rigid Vacuum Breaker Nozzle, Serrated Tip
& 4-Arm Handles

Drawn KJG	Checked DHL	Approved JHB
Scale: NTS		Date: 06/30/08