



T&S BRASS AND BRONZE WORKS, INC.

2 Saddleback Cove / P.O. Box 1088
Travelers Rest, SC 29690



REG. #A2601
ISO #9001

Model No.
B-0674-RGH

Item No.

Travelers Rest, SC: 800-476-4103 Simi Valley, CA: 800-423-0150 Fax: 864-834-3518 www.tsbrass.com

This Space for Architect/Engineer Approval

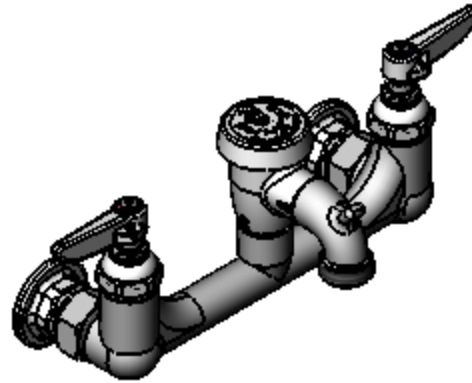
Job Name _____ Date _____

Model Specified _____ Quantity _____

Customer/Wholesaler _____

Contractor _____

Architect/Engineer _____

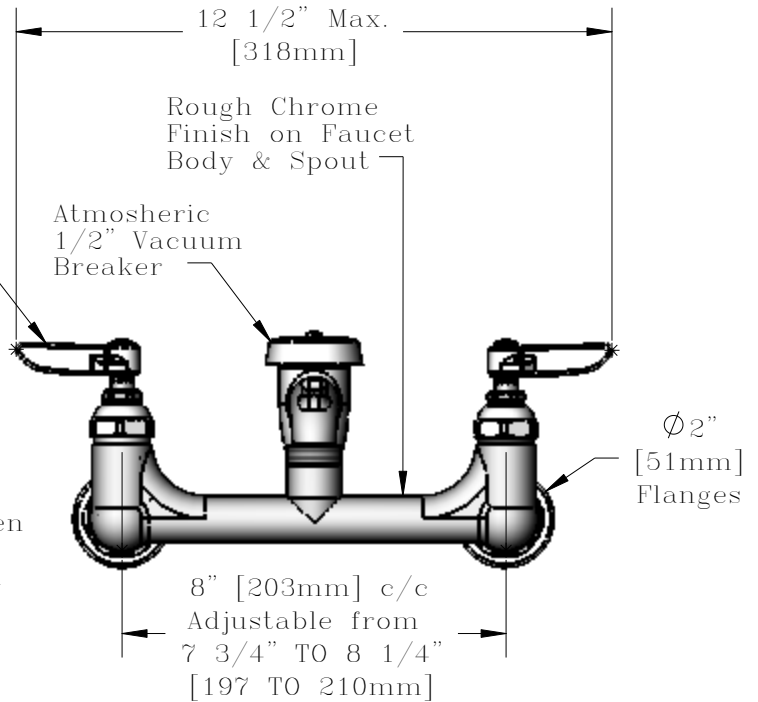
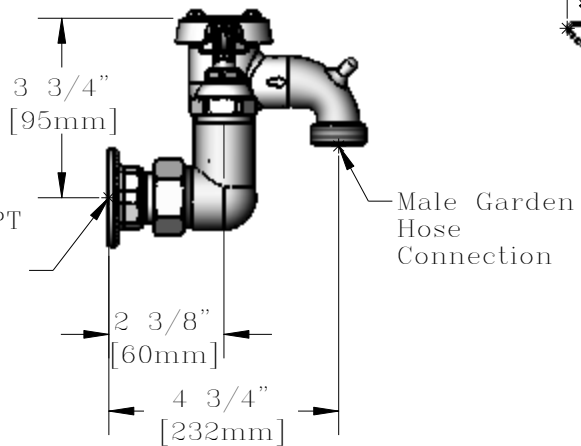


- Variations or Applicable Options:
- WH6 6" Wrist Action Handles
 - WH4 4" Wrist Action Handles
 - 175F 4-Arm Kitchen Handles

Hot & Cold Spring Check Cartridges w/Lever Handles and Color Coded Indexes

Rough Chrome Finish on Faucet Body & Spout

Atmospheric 1/2" Vacuum Breaker



Product Specifications:

Service Sink, Spring Check Cartridges, Lever Handles, Rough Chrome

Drawn DHL	Checked GEF	Approved JHB
Scale: 1:4		Date: 6/2/06



T&S BRASS AND BRONZE WORKS, INC.

2 Saddleback Cove / P.O. Box 1088
Travelers Rest, SC 29690



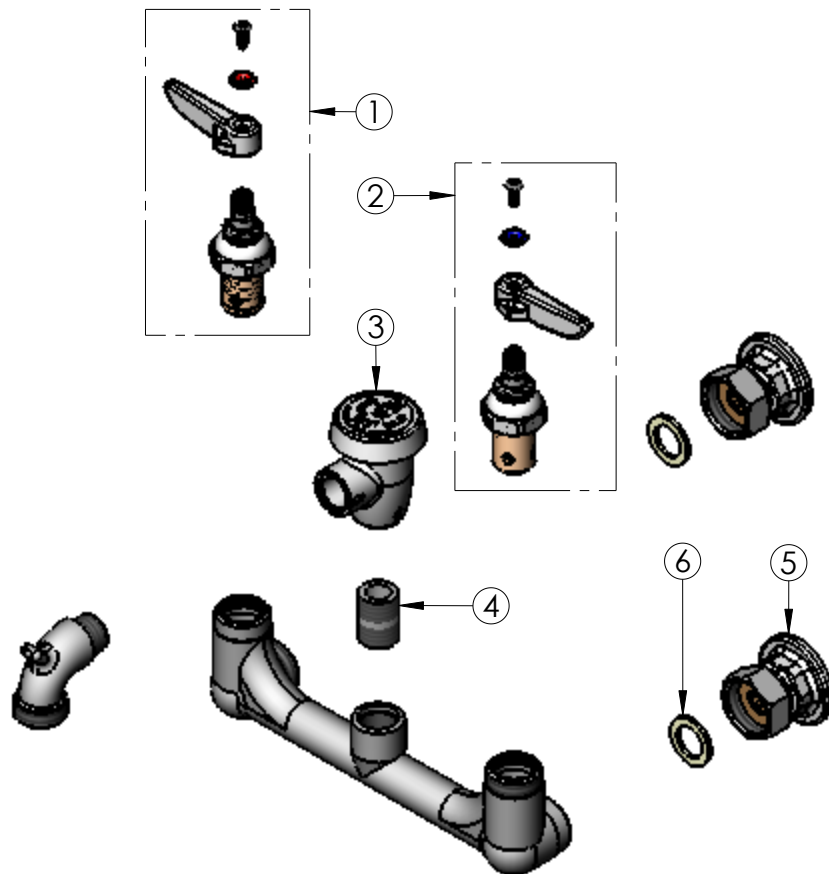
REG. #A2601
ISO #9001

Model No.
B-0674-RGH

Item No.

Travelers Rest, SC: 800-476-4103 Simi Valley, CA: 800-423-0150 Fax: 864-834-3518 www.tsbrass.com

ITEM	SALES NO.	DESCRIPTION
1	002712-40	ETRNA SPDL ASM HOT
2	002711-40	ETRNA SPDL ASM COLD
3	B-0969	1/2 Vacuum Breaker
4	002534-25	NPL CLS 1/2 HWL - ROUGH CHROME
5	002893-40	ASM CPLG FLG
6	001019-45	Washer B-230 Coupling Nut



Product Specifications:

Service Sink, Spring Check Cartridges,
Lever Handles, Rough Chrome

Drawn
DHL

Checked
GEF

Approved
JHB

Scale:

1:4

Date:

6/2/06