



# T&S BRASS AND BRONZE WORKS, INC.

2 Saddleback Cove / P.O. Box 1088  
Travelers Rest, SC 29690



REG. #A2601  
ISO #9001

Model No.

**B-0175**

Item No.

Travelers Rest, SC: 800-476-4103 Simi Valley, CA: 800-423-0150 Fax: 864-834-3518 www.tsbrass.com

This Space for Architect/Engineer Approval

Job Name \_\_\_\_\_ Date \_\_\_\_\_

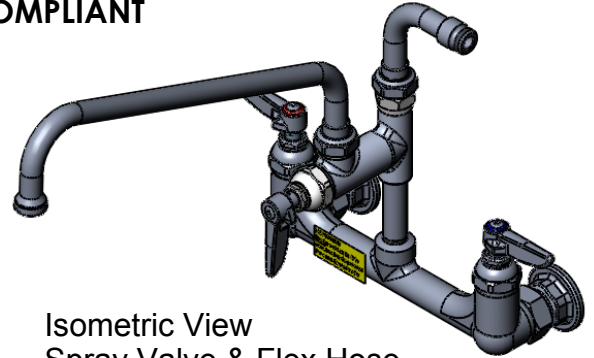
Model Specified \_\_\_\_\_ Quantity \_\_\_\_\_

Customer/Wholesaler \_\_\_\_\_

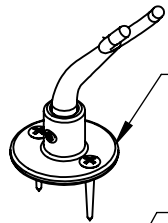
Contractor \_\_\_\_\_

Architect/Engineer \_\_\_\_\_

## EPAct 2005 COMPLIANT

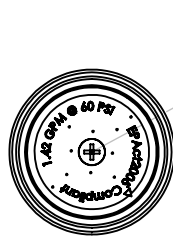
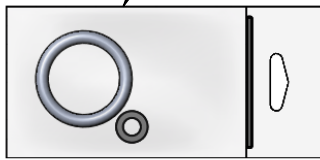


Isometric View  
Spray Valve & Flex Hose  
Not Shown



B-0166  
Hanger Hook Assembly

Hold Down Ring  
w/ Hose Washer



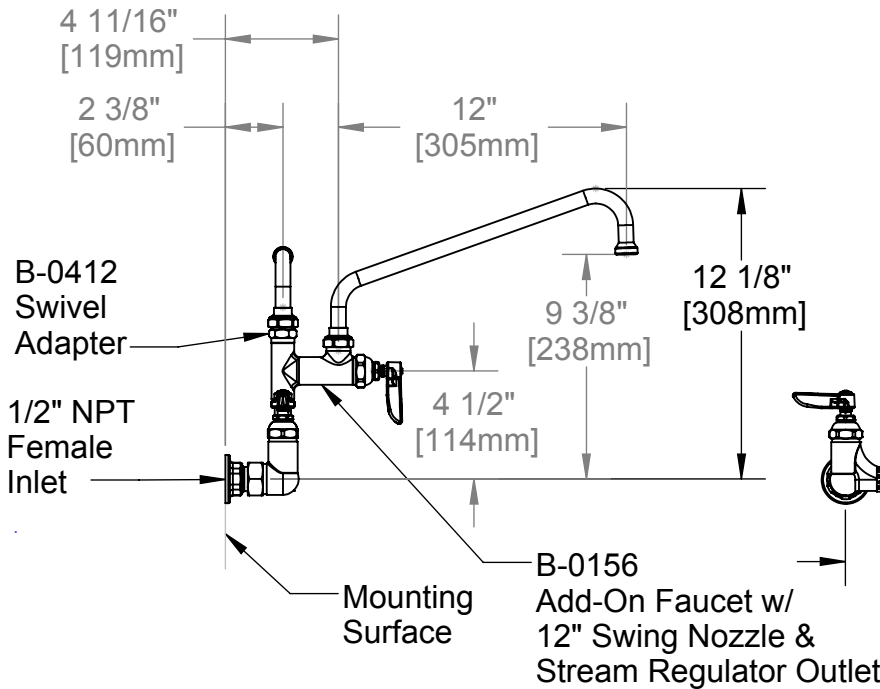
B-0107-035  
Spray Valve w/  
B-0104-H Stainless  
Steel Flex Hose

034A  
Swivel Adapter  
Assembly

Lever Handles  
w/ Color Coded  
Indexes

Eterna Cartridges  
w/ Spring Checks

8" [203mm]  
Ø 2" Flange



### Product Specifications:

Pre-Rinse Unit w/ Double Pantry Faucet, Lever Handles, 12" Swivel Nozzle, Stream Regulator Outlet & Wall Flanges

Drawn <b>KJG</b>	Checked <b>GEF</b>	Approved <b>JHB</b>
Scale: <b>1:8</b>		Date: <b>5/16/08</b>



# T&S BRASS AND BRONZE WORKS, INC.

2 Saddleback Cove / P.O. Box 1088  
Travelers Rest, SC 29690



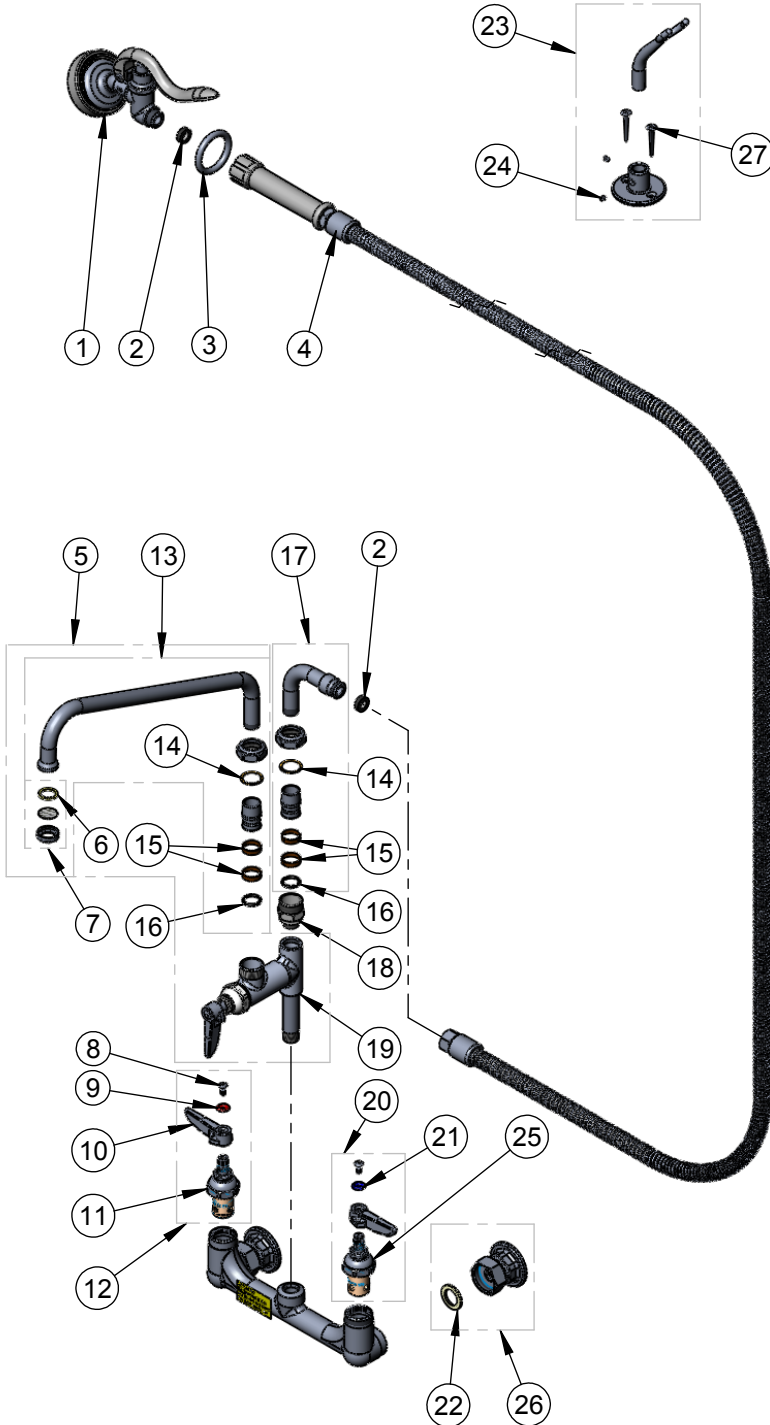
REG. #A2601  
ISO #9001

Model No.

**B-0175**

Item No.

Travelers Rest, SC: 800-476-4103 Simi Valley, CA: 800-423-0150 Fax: 864-834-3518 www.tsbrass.com



ITEM NO.	SALES NO.	DESCRIPTION
1	B-0107-035	Spray Valve Assembly
2	010476-45	#27 Washer
3	000907-45	Spray Valve Hold Down Ring
4	B-0104-H	104" Flex Hose Assembly
5	B-0156	Add-On Faucet w/ 12" Nozzle
6	009638-45	Washer
7	B-PT	Index Ring Assembly
8	000922-45	Lever Handle Screw
9	001661-45	Red Index-HW
10	001638-45	Lever Handle
11	012443-40	Hot Eterna Spindle Assembly w/ Spring Check
12	002712-40	Hot Eterna Spindle Assembly w/ Spring Check, Handle Index & Screw
13	062X	12" Swing Nozzle Asm
14	009538-45	Swivel Washer
15	011429-45	Swivel Sleeves (2)
16	001074-45	O-Ring
17	034A	Swivel Adapter Assembly
18	B-0412	Rigid to Swivel Adapter
19	B-0155-LN	Add-on Faucet
20	002711-40	Cold Eterna Spindle Assembly w/ Spring Check, Handle, Index & Screw
21	001660-45	Blue Index-CW
22	001019-45	Coupling Nut Washer
23	B-0166	Hanger Hook Assembly
24	001584-45	Set Screw, B-0119 Rod End
25	012442-40	Cold Eterna Spindle Assembly w/ Spring Check
26	00AA	Flange Assembly, 00AA
27	000915-45	Mounting Screw

Product Specifications:

Pre-Rinse Unit w/ Double Pantry Faucet, Lever Handles, 12" Swivel Nozzle, Stream Regulator Outlet & Wall Flanges

Drawn <b>KJG</b>	Checked <b>GEF</b>	Approved <b>JHB</b>
Scale: <b>NTS</b>		Date: <b>5/16/08</b>