



**T&S BRASS AND BRONZE WORKS, INC.**  
 2 Saddleback Cove / P.O. Box 1088  
 Travelers Rest, SC 29690

Model No.  
**B-0107-035**

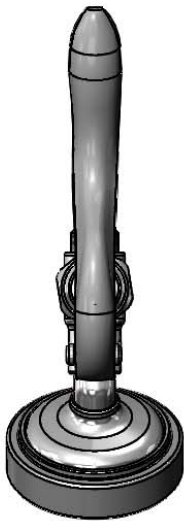
Item No.

Travelers Rest, SC: 800-476-4103 • Simi Valley, CA: 800-423-0150 • Fax: 864-834-3518 • www.tsbrass.com

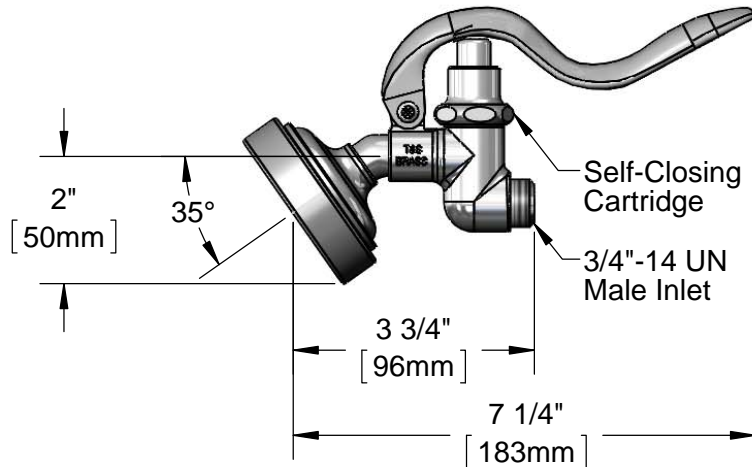
This Space for Architect/Engineer Approval

Job Name \_\_\_\_\_ Date \_\_\_\_\_  
 Model Specified \_\_\_\_\_ Quantity \_\_\_\_\_  
 Customer/Wholesaler \_\_\_\_\_  
 Contractor \_\_\_\_\_  
 Architect/Engineer \_\_\_\_\_

**EPAct 2005 Compliant**



Hose Washer &  
 Hold Down Ring  
 (Included)



Product Specifications:  
 Pre-Rinse Self-Closing Angled Spray Valve w/ Rubber Bumper  
 & 1.42 GPM Flow Control Spray Face

Drawn <b>DHL</b>	Checked <b>DMH</b>	Approved <b>JHB</b>
Scale: <b>1:3</b>		Date: <b>07/22/13</b>



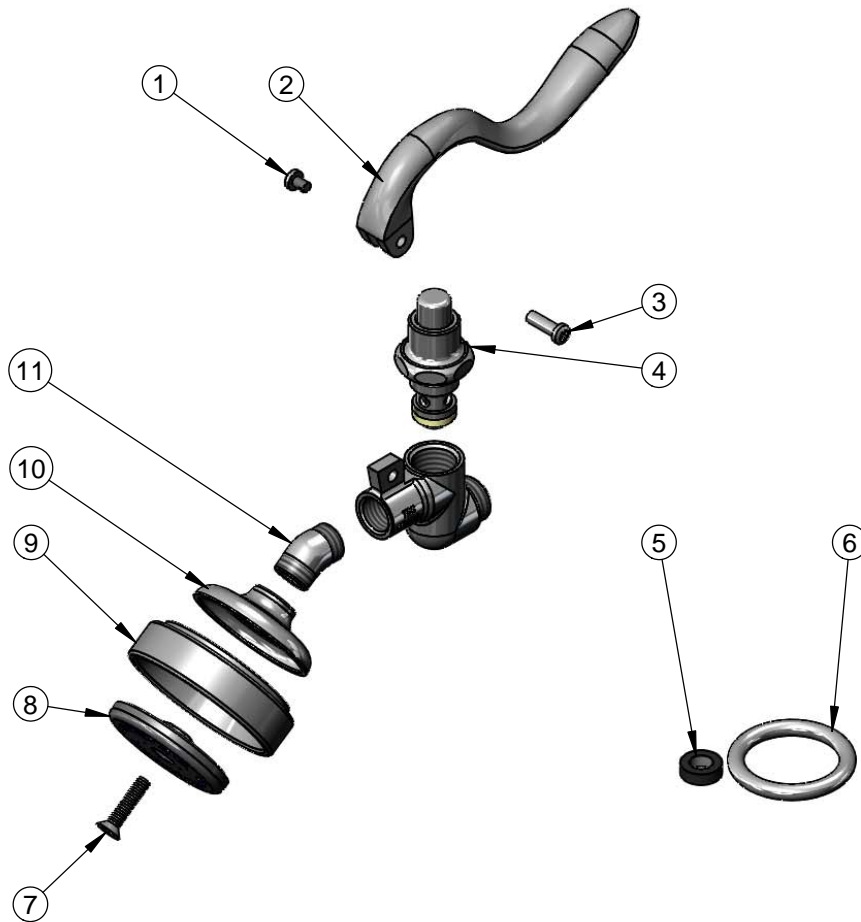
**T&S BRASS AND BRONZE WORKS, INC.**  
 2 Saddleback Cove / P.O. Box 1088  
 Travelers Rest, SC 29690

Model No.  
**B-0107-035**

Item No.

Travelers Rest, SC: 800-476-4103 • Simi Valley, CA: 800-423-0150 • Fax: 864-834-3518 • www.tsbrass.com

ITEM NO.	SALES NO.	DESCRIPTION
1	003199-45	Spray Valve Handle Screw
2	001120-45	Spray Valve Handle
3	003198-45	Spray Valve Handle Nut
4	002856-40	Spray Valve Bonnet
5	010476-45	#27 Washer
6	000907-45	Spray Valve Hold Down Ring
7	000913-45	Screw
8	001121-45	Spray Valve Spray Face
9	007861-45	Spray Valve Sprayhead Ring
10	000019-40	Spray Valve Cup
11	0032	35° Elbow 5/8-27 UN Male x Male, Plated



Product Specifications:  
 Pre-Rinse Self-Closing Angled Spray Valve w/ Rubber Bumper  
 & 1.42 GPM Flow Control Spray Face

Drawn <b>DHL</b>	Checked <b>DMH</b>	Approved <b>JHB</b>
Scale: <b>NTS</b>		Date: <b>07/22/13</b>