



T&S BRASS AND BRONZE WORKS, INC.
 2 Saddleback Cove / P.O. Box 1088
 Travelers Rest, SC 29690

Model No.
B-1420

Item No.

Travelers Rest, SC: 800-476-4103 • Simi Valley, CA: 800-423-0150 • Fax: 864-834-3518 • www.tsbrass.com

This Space for Architect/Engineer Approval

Job Name _____ Date _____

Model Specified _____ Quantity _____

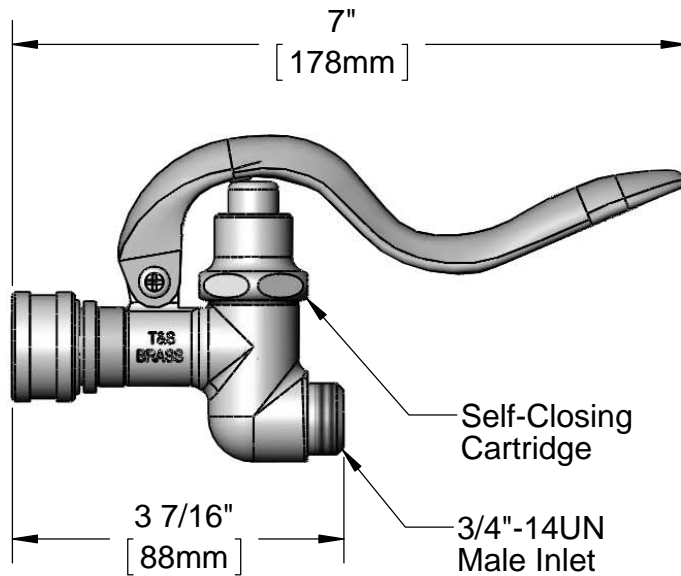
Customer/Wholesaler _____

Contractor _____

Architect/Engineer _____



Quick Disconnect Socket



Product Specifications:
 Self-Closing Spray Valve w/ Quick Disconnect Socket
 & 3/4-14 UN Male Inlet

Drawn DHL	Checked DMH	Approved JHB
Scale: 1:2		Date: 12/20/12



T&S BRASS AND BRONZE WORKS, INC.

2 Saddleback Cove / P.O. Box 1088
Travelers Rest, SC 29690



REG. #A2601
ISO #9001

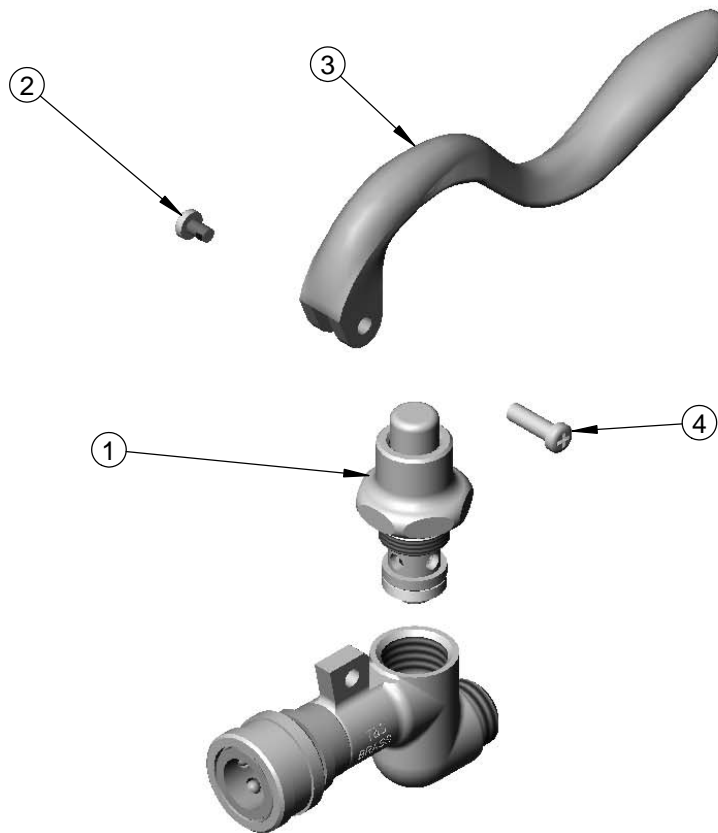
Model No.

B-1420

Item No.

Travelers Rest, SC: 800-476-4103 • Simi Valley, CA: 800-423-0150 • Fax: 864-834-3518 • www.tsbrass.com

ITEM NO.	SALES NO.	DESCRIPTION
1	002856-40	Bonnet, Spray Valve
2	003199-45	Handle Screw, Spray Valve
3	001120-45	Spray Valve Handle
4	003198-45	Handle Nut, Spray Valve



Product Specifications:
Self-Closing Spray Valve w/ Quick Disconnect Socket
& 3/4-14 UN Male Inlet

Drawn

DHL

Checked

DMH

Approved

JHB

Scale:

NTS

Date:

12/20/12