



T&S BRASS AND BRONZE WORKS, INC.
 2 Saddleback Cove / P.O. Box 1088
 Travelers Rest, SC 29690

Model No.
B-0507

Item No.

Travelers Rest, SC: 800-476-4103 • Simi Valley, CA: 800-423-0150 • Fax: 864-834-3518 • www.tsbrass.com

This Space for Architect/Engineer Approval

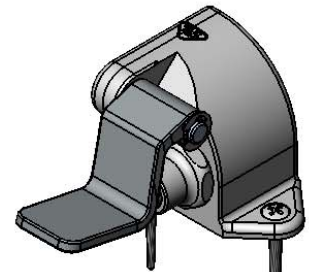
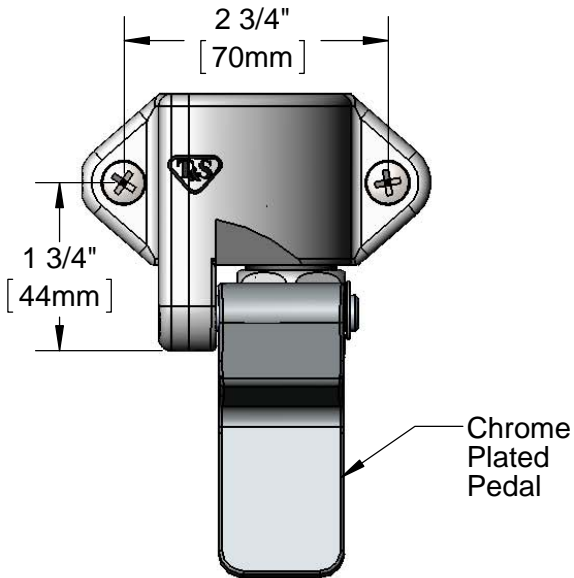
Job Name _____ Date _____

Model Specified _____ Quantity _____

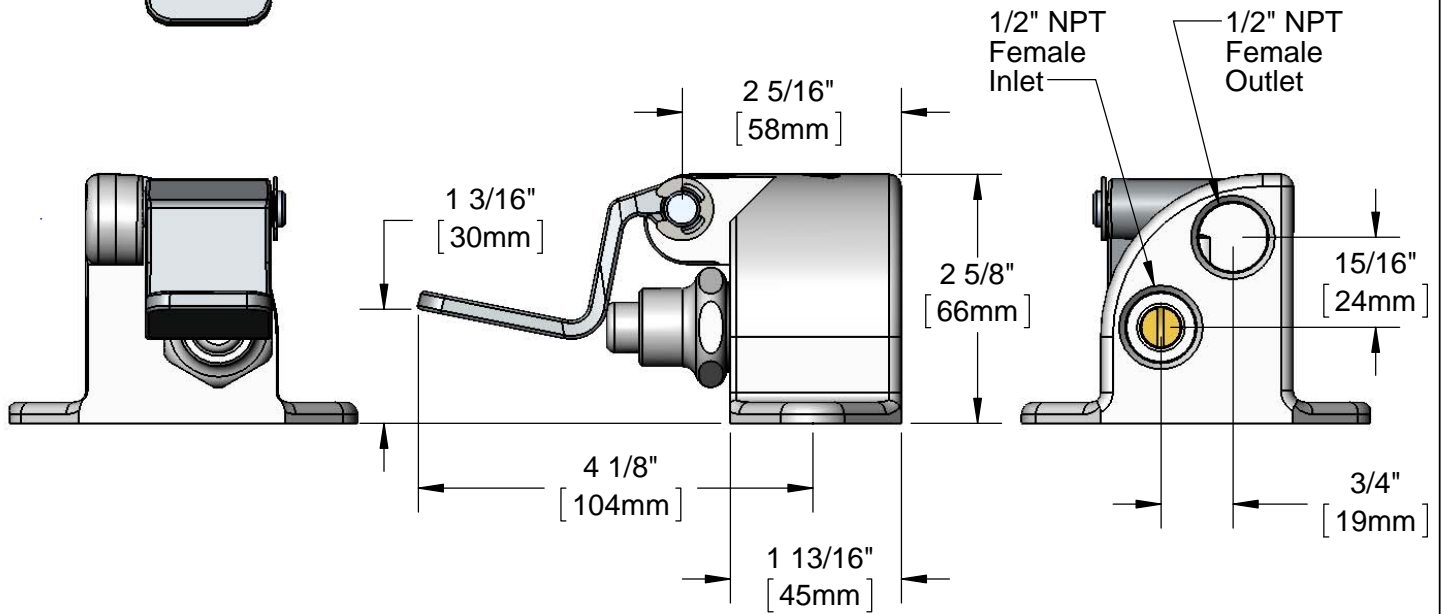
Customer/Wholesaler _____

Contractor _____

Architect/Engineer _____



Furnished w/ (2)
 Wood Mounting Screws



Product Specifications:
 Single Foot Pedal Valve w/ 1/2" NPT Female Inlet & Outlet

Drawn DHL	Checked DMH	Approved JHB
---------------------	-----------------------	------------------------

Scale: 1:2	Date: 02/11/13
----------------------	--------------------------



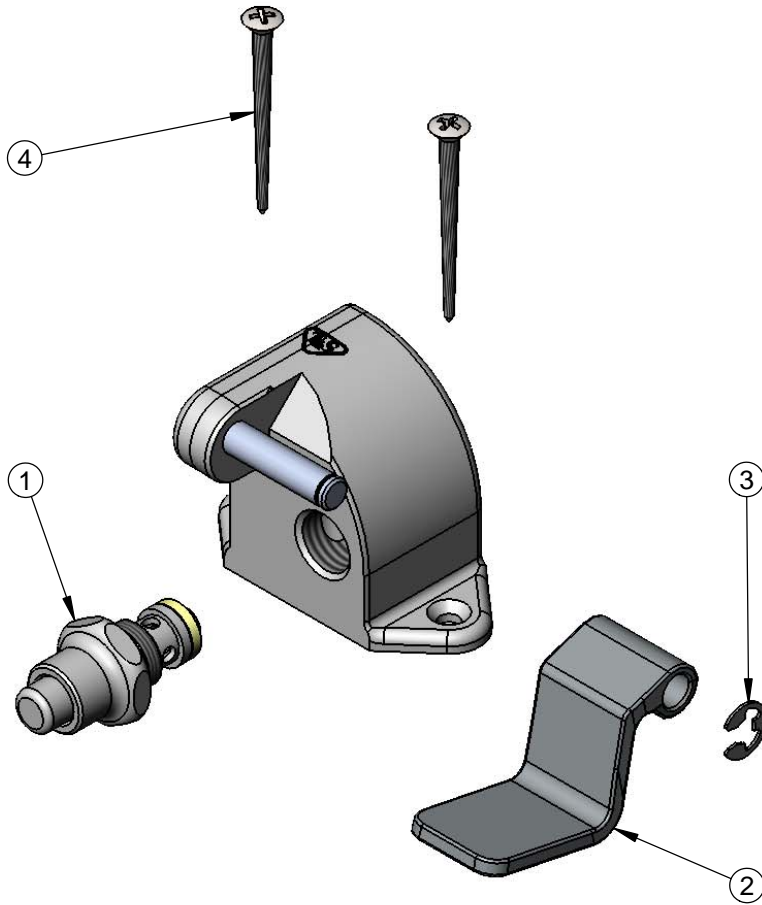
T&S BRASS AND BRONZE WORKS, INC.
 2 Saddleback Cove / P.O. Box 1088
 Travelers Rest, SC 29690

Model No.
B-0507

Item No.

Travelers Rest, SC: 800-476-4103 • Simi Valley, CA: 800-423-0150 • Fax: 864-834-3518 • www.tsbrass.com

ITEM NO.	SALES NO.	DESCRIPTION
1	005312-40	Pedal Valve Bonnet Assembly
2	000090-25	Foot Pedal
3	012512-45	E-clip Retaining Ring
4	003749-45	Foot Pedal Mtg. Screw



Product Specifications:
 Single Foot Pedal Valve w/ 1/2" NPT Female Inlet & Outlet

Drawn DHL	Checked DMH	Approved JHB
Scale: NTS		Date: 02/11/13