

3 DOORS DRAWER WARDROBE

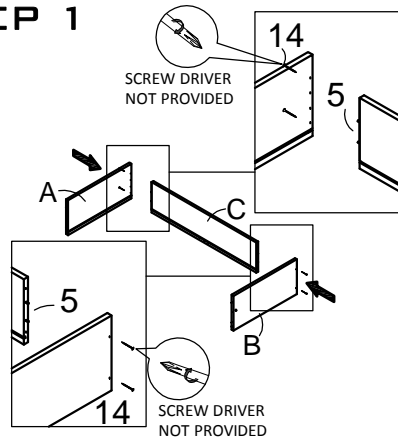
HARDWARE LIST

| NO | DESCRIPTION | QTY |
|----|------------------------------|--------|
| 1 | 5574 QUICKFIT HOUSING | 9 PCS |
| 2 | 5546 QUICKFIT BOLT | 9 PCS |
| 3 | M6 X 50MM CSK CAP WOOD SCREW | 26 PCS |
| 4 | M8 X 25MM WOOD DOWEL | 31 PCS |
| 5 | M6 X 30MM WOOD DOWEL | 36 PCS |
| 6 | 3041-96MM PVC HANDLE | 6 PCS |
| 7 | M4 X 25MM CHIPBOARD SCREW | 12 PCS |
| 8 | 5 / 8" HINGES 162 END LEG | 8 SETS |
| 9 | M3.5 X 12MM CHIPBOARD SCREW | 71 PCS |
| 10 | M3.5 X 16MM CHIPBOARD SCREW | 32 PCS |
| 11 | 5 / 8" PVC NAIL WITH PIN | 6 PCS |
| 12 | Ø19MM X 1021MM HANGING BAR | 1 PC |
| 13 | M4 ALLEN KEY | 1 PC |
| 14 | M4 X 32MM CHIPBOARD SCREW | 15 PCS |
| 15 | 400MM SJ 15° METAL SLIDE 15° | 3 SETS |
| 16 | 704 PVC SHELF SUPPORT | 4 PCS |
| 17 | COLOUR STICKER | 24 PCS |
| 18 | WALL PLUG | 1 PC |
| 19 | CABLE TIED | 1 PC |
| 20 | 6# SCREW EYES | 1 PC |
| 21 | 8# SCREW EYES | 1 PC |

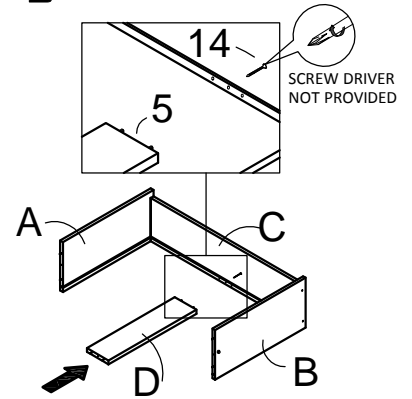
PARTS LIST

| NO | DESCRIPTION | QTY |
|----|-------------------------|-----|
| A | DRAWER SIDE PANEL-LEFT | 3 |
| B | DRAWER SIDE PANEL-RIGHT | 3 |
| C | DRAWER BACK PANEL | 3 |
| D | DRAWER BOTTOM SUPPORT | 3 |
| E | DRAWER BOTTOM PANEL | 3 |
| F | DRAWER HANDLE PANEL | 3 |
| G | SIDE PANEL-LEFT | 1 |
| H | SIDE PANEL-RIGHT | 1 |
| J | CENTRE PANEL | 1 |
| K | BOTTOM PANEL | 1 |
| L | LEG PANEL | 1 |
| M | BACK HANGING PANEL | 3 |
| N | SHELF FIX PANEL-BIG | 1 |
| P | TOP PANEL | 1 |
| Q | SHELF FIX PANEL-SMALL | 1 |
| R | BACK PANEL-DOWN | 1 |
| S | BACK PANEL-UP | 3 |
| T | DOOR PANEL-BIG - LEFT | 1 |
| U | DOOR PANEL-SMALL | 1 |
| V | SHELF PANEL | 1 |
| W | BACK PANEL- B | 1 |
| X | DOOR PANEL - BIG RIGHT | 1 |

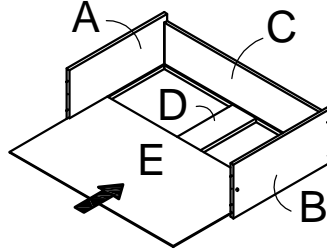
STEP 1



STEP 2



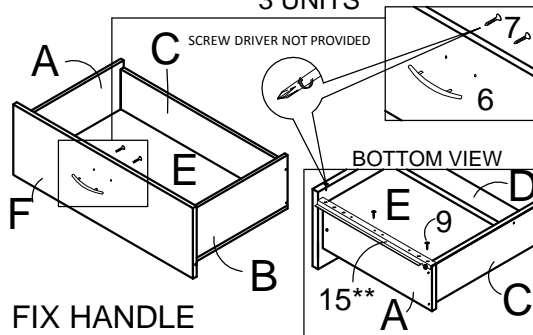
STEP 3



INSERT DRAWER BOTTOM PANEL

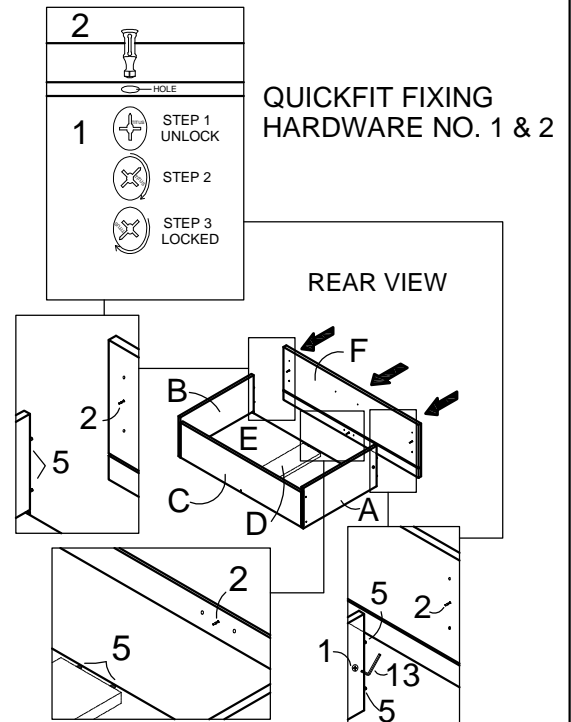
STEP 5

DRAWER ASSEMBLY 3 UNITS

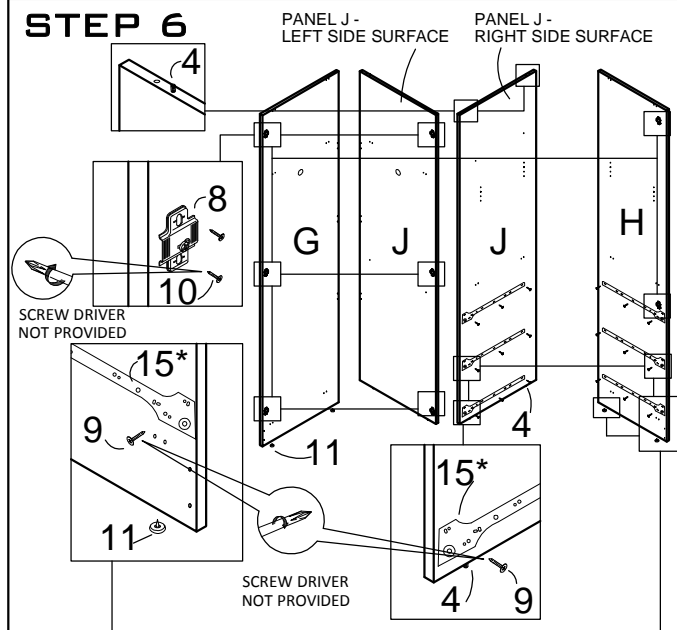


FIX HANDLE

STEP 4

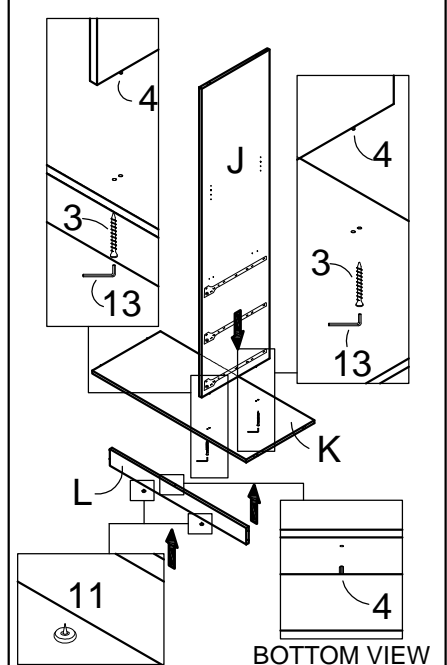


STEP 6

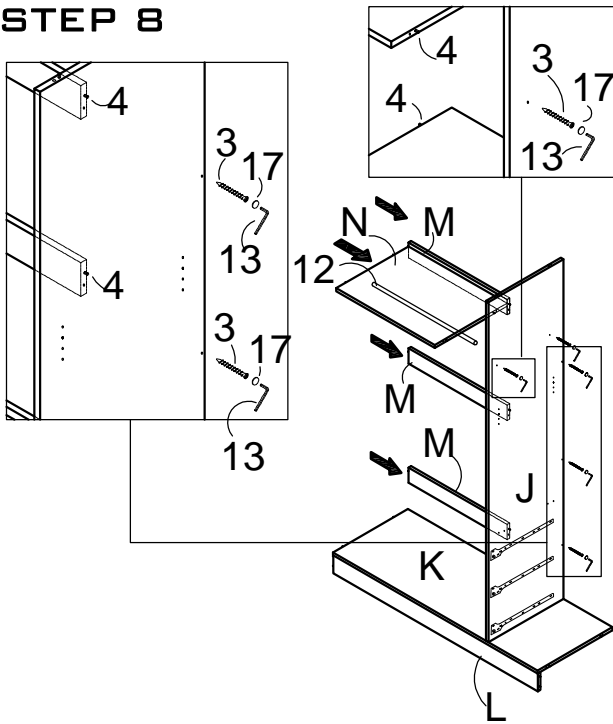


FIX HARDWARE NO. 4,8,9,10 & 15 TO PANEL G, H & J. NO. 11 ONLY PANEL G & H

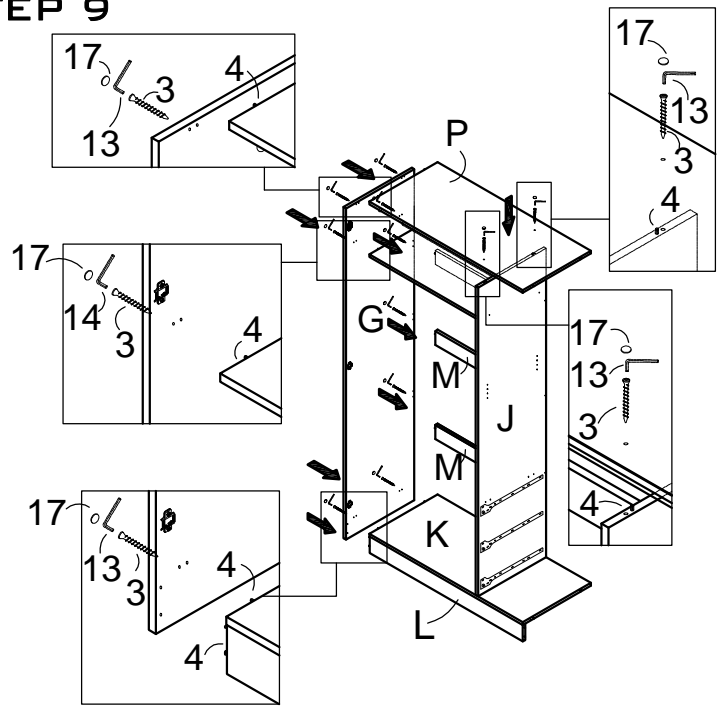
STEP 7



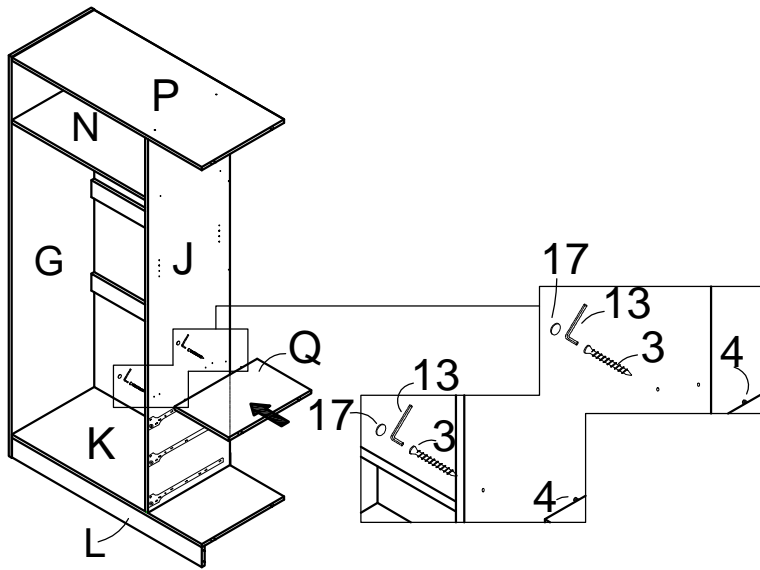
STEP 8



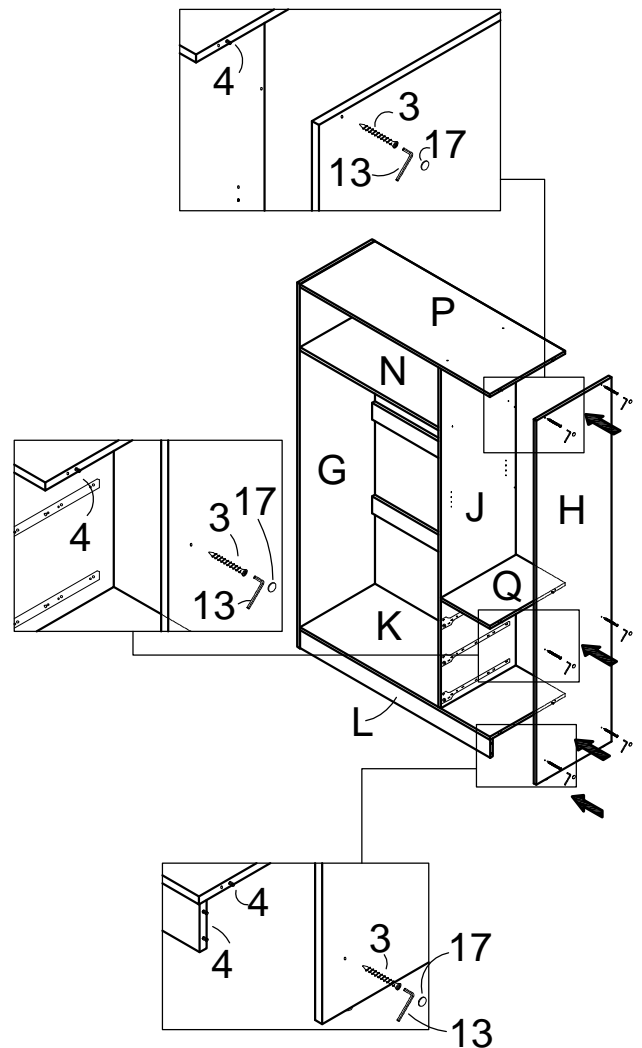
STEP 9



STEP 10



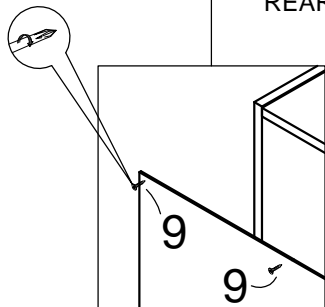
STEP 11



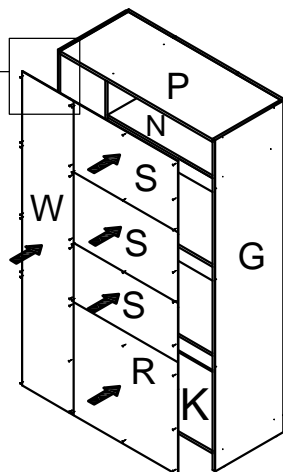
STEP 12

SCREW DRIVER
NOT PROVIDED

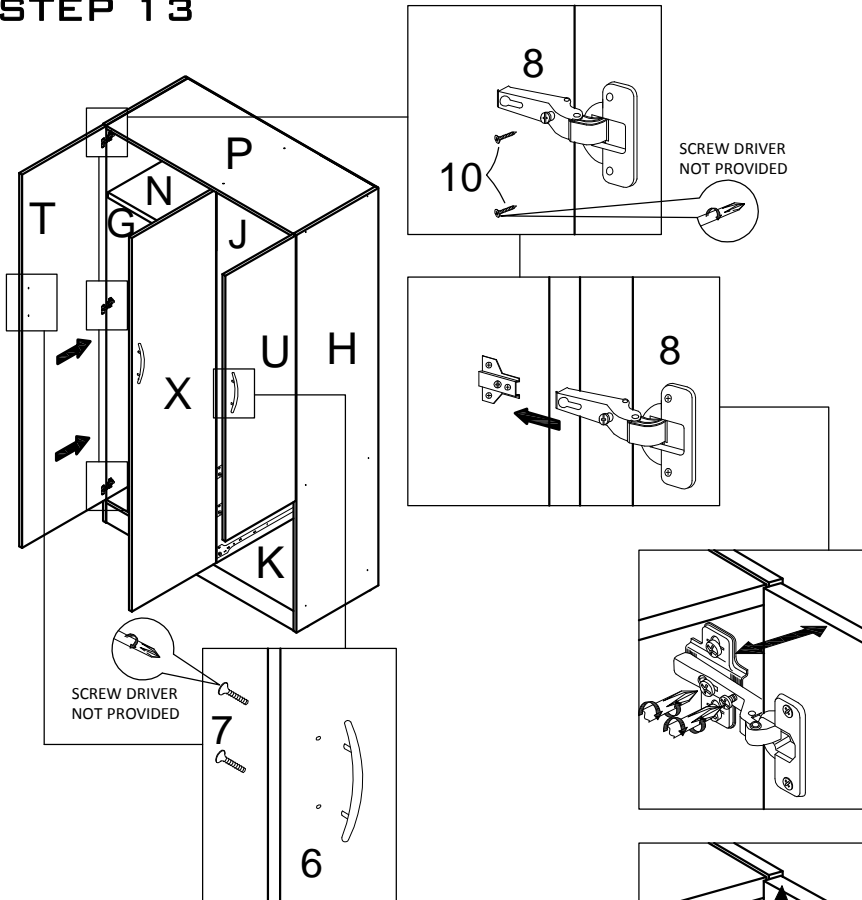
REAR VIEW



FIX BACK PANEL

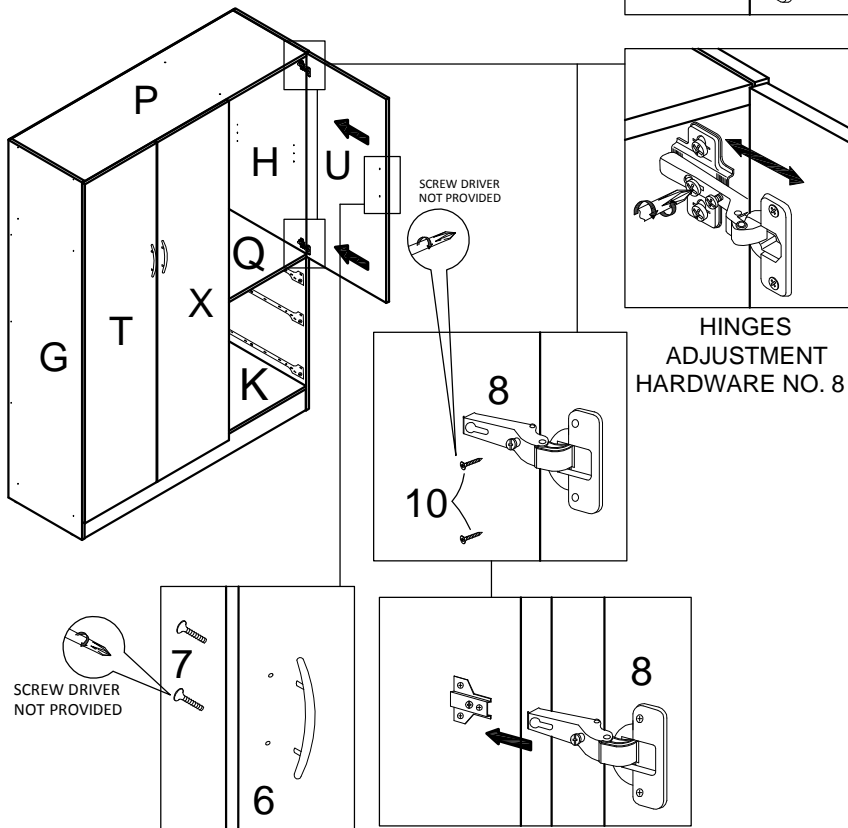


STEP 13



FIX DOOR PANEL CAREFULLY

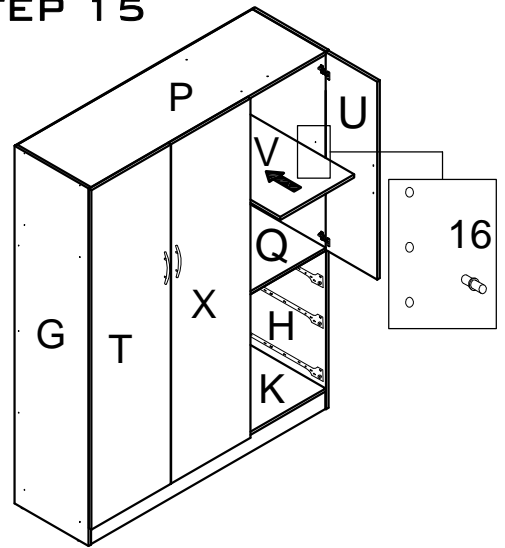
STEP 14



HINGES
ADJUSTMENT
HARDWARE NO. 8

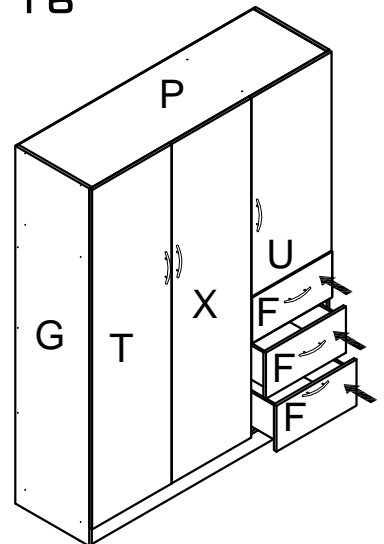
FIX DOOR PANEL CAREFULLY

STEP 15



INSERT SHELF PANEL

STEP 16



INSERT DRAWER 2 UNITS

COMPLETE ASSEMBLED

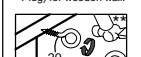
OPTION B



CONCRETE WALL
* Drilling a hole as marked point for Wall Plug insert. Wall Plug (with screw) only used for concrete wall.



WOODEN WALL
* Marking a point on wooden wall for fixing screw. Use screw only (without Wall Plug) for wooden wall.



TOP PANEL BACK SIDE
* Then insert screw to the back side of the top panel. 10mm depth only.



* Use Cable Tied to hold the furniture for safety purpose.

OPTION A



CONCRETE WALL
* Drilling a hole as marked point for Wall Plug insert. Wall Plug (with screw) only used for concrete wall.



WOODEN WALL
* Marking a point on wooden wall for fixing screw. Use screw only (without Wall Plug) for wooden wall.



TOP PANEL
* Then insert screw to the upper surface on top panel. 10mm depth only.



* Use Cable Tied to hold the furniture for safety purpose.

