

- Surface-Mounted
- Two Fixed Shelves
- Reversible
- Bradex®**

Product Materials

CABINET: heavy-duty steel construction, finished with rust-resistant, baked-on enamel after welding. Fixed shelf supports.

DOOR: heavy-duty steel, finished with rust-resistant, baked-on enamel to match cabinet, equipped with full-length piano hinge with built-in door stop, protective door bumpers, and a magnetic catch.

MIRROR: 2mm thick float glass, electrolytically copper-backed, with full surround stainless steel frame with positive screw closure. One-year warranty.

SHELVES: (2) pre-painted metal.

Operation

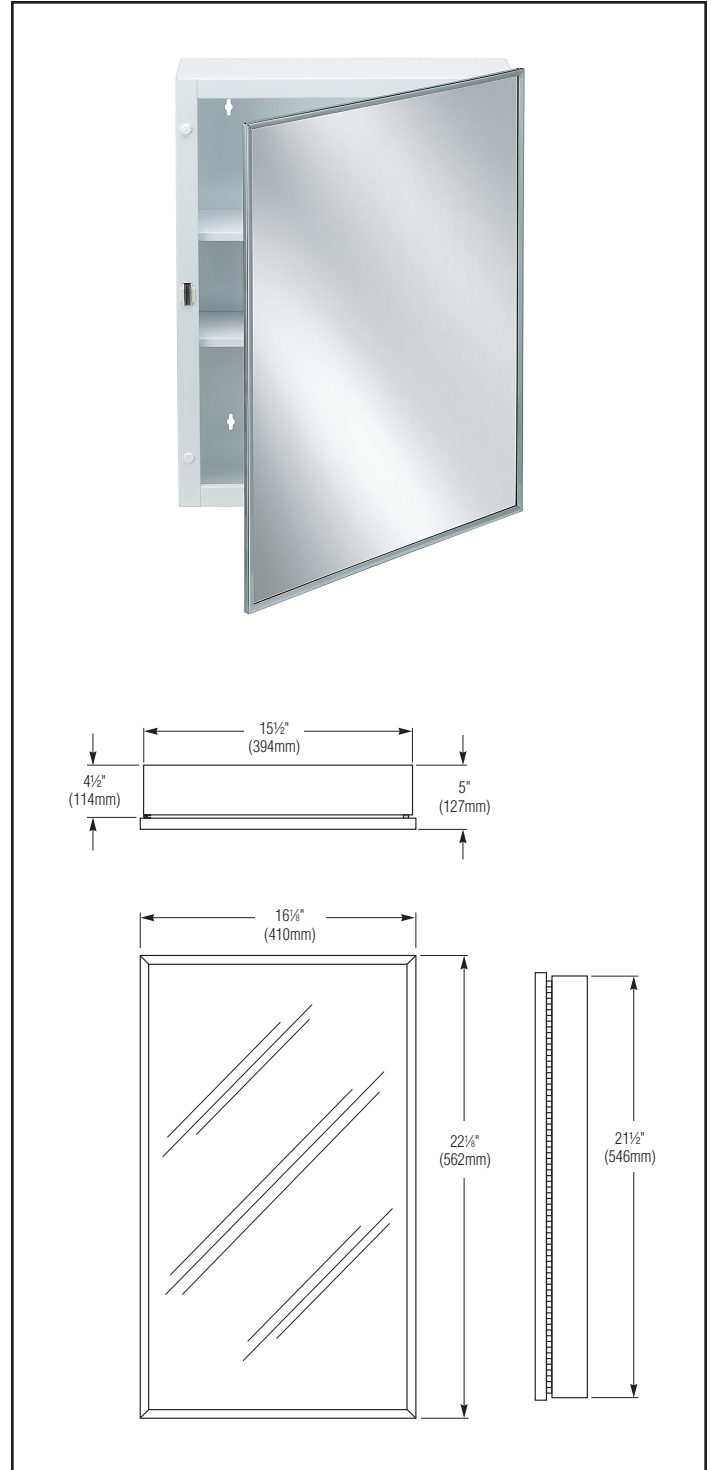
Cabinet is reversible for left or right hand door swing.

Installation

Verify all rough-in dimensions prior to installation. Cabinet to be secured to wall with mounting screws (included) through holes provided.

Guide Specification

Surface-mounted medicine cabinet shall be fabricated of heavy-duty steel construction finished with baked-on enamel. Swing door shall have mirror with full surround stainless steel channel frame with screw enclosure. Cabinet shall be equipped with two fixed shelves, full-length piano hinge, and magnetic catch. Cabinet shall be reversible for left or right hand door swing.



**Washroom Accessories
Document No. 9060**

Orders composed of products indicated as **Bradex®** will be available to ship in three days after receipt of order at the factory. There is no pricing penalty for this service from Bradley.

This information is subject to change without notice.

Always consult local and national codes for proper installation guidelines. Conformity and compliance to local and national codes is the responsibility of the installer.

12/19/2012

© 2012 Bradley
P.O. Box 309, Menomonee Falls, WI 53052-0309
Phone: 800.BRADLEY (800.272.3539) Fax: 262.253.4161
bradleycorp.com