

# MONTE CARLO®



## CKF210

### INSTRUCTIONS FOR YOUR NEW REMOTE FAN CONTROL SYSTEM

#### CAUTION:

**This remote only works with some fans in sloped ceiling model. Do not use fan speed control in canopies where the mounting is not as described in figure 6,7.**

#### WARNING - HIGH VOLTAGE

Before Connecting the Control Unit:

- Remove electrical power from circuit to be used.
- Household power can cause **SERIOUS INJURY** or **DEATH**.
- Wiring must meet all local electrical code requirements.

#### A. SETTING THE CODE ON YOUR NEW REMOTE (Fig. 1):

1. Remove battery cover
  - \* Refer to pg 5 for removing battery cover.
2. Slide code switches to your choice of UP and DOWN positions.
  - Factory setting is all UP. Do not use this setting.
  - Use ball point pen or small screwdriver.
  - Slide firmly up or down.

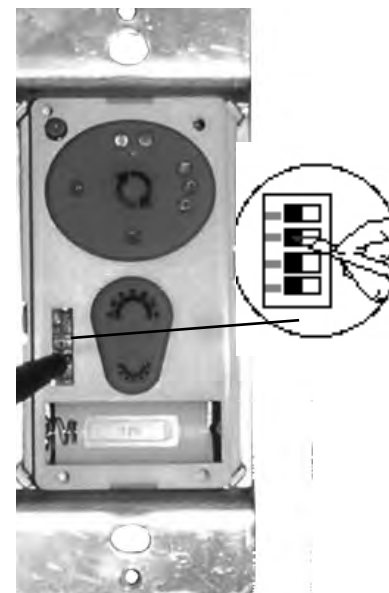
#### B. SETTING THE CODE ON YOUR NEW CONTROL UNIT (Fig. 2)

1. Slide code switches to the same positions as set on your REMOTE.

**NOTE: The code switches on the TRANSMITTER and the RECEIVER UNIT must be set to the same positions to work.**

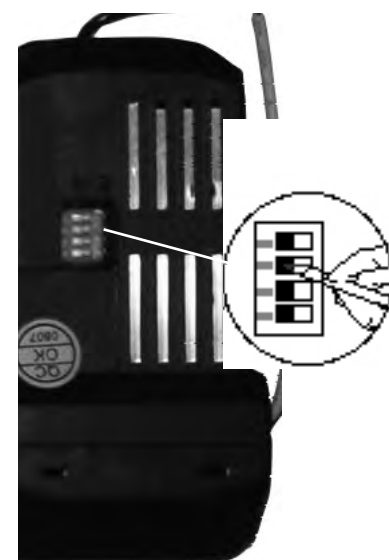
The item "IC:" before the radio certification number only signifies that Industry Canada Technical specifications were met.

Operation is subject to the following two conditions: (1) this device may not cause interference, and (2) this device must accept any interference, including interference that may cause undesired operation of the device.



Transmitter

Code switches  
Fig.1



Receiver

Code switches  
Fig.2

## LIMITED WARRANTY

- A. **GEOGRAPHIC SCOPE** - This warranty applies to products purchased in the United States and Canada.
- B. **What is Covered?** Any defect in material or workmanship.
- C. **For how long from date of purchase?** All finished products - one year; all spare parts - 90 days.
- D. **Who gets the warranty?** This warranty is limited to the customer who originally purchased the product..
- E. **LIMITATIONS:** IMPLIED WARRANTIES, INCLUDING THOSE OF FITNESS FOR A PARTICULAR PURPOSE AND MERCHANTABILITY (AN UNWRITTEN WARRANTY THAT THE PRODUCT IS FIT FOR ORDINARY USE), ARE LIMITED TO ONE YEAR FROM THE DATE OF PURCHASE.

WILL NOT PAY FOR: LOSS OF TIME; INCONVENIENCE; LOSS OF USE OF YOUR PRODUCT OR PROPERTY DAMAGE CAUSED BY YOUR PRODUCT OR ITS FAILURE TO WORK; ANY SPECIAL, INCIDENTAL OR CONSEQUENTIAL DAMAGES; OR ANY DAMAGES RESULTING FROM MISUSE OR MODIFICATION OF YOUR PRODUCT.

SOME STATES DO NOT ALLOW LIMITATIONS ON HOW LONG AN IMPLIED WARRANTY LASTS OR THE EXCLUSIONS OF INCIDENTAL OR CONSEQUENTIAL DAMAGES, SO THE ABOVE EXCLUSIONS MAY NOT APPLY TO YOU.

F. **How to obtain warranty service:** To obtain warranty service for your product, you must provide proof of the date and place of purchase of the product.

1. Do-it-yourself service - Call the Consumer Line at 800-519-4092. Trained representatives will assist you in diagnosing the problem and will arrange to supply you with the required part for do-it-yourself repairs.

G. **What this warranty does not cover:** This warranty does not cover service charges, batteries, installation, defects resulting from accidents, or damage resulting from alterations, misuse or abuse, lack of proper installation or maintenance, failure to follow instructions, unauthorized repair, damage caused by affixing of any attachment not provided with the product, failure of supporting devices not supplied as original mounting hardware, exposure to extremes of heat or humidity, incorrect wiring, or voltages, or failures caused by modifications of the product, fire, flood, or acts of God.

THIS WARRANTY IS THE ONLY ONE WE WILL GIVE ON YOUR PRODUCT. IT SETS FORTH ALL OUR RESPONSIBILITIES REGARDING YOUR PRODUCT. THERE ARE NO OTHER EXPRESS OR IMPLIED WARRANTIES.

## TROUBLESHOOTING GUIDE

### FAILS TO OPERATE

- Is there power to the Control Unit?
- Is the Control Unit wired correctly?
- Are the fan and light switches set on the highest position?
- Is there a good battery in the REMOTE? If the red indicator lights when either button is pushed, the battery still may be bad. Try changing your battery first.
- Are the switches set the same in both REMOTE and the Control Unit?

### SHORT RANGE

If the REMOTE operated the Control Unit when close to it but does not operate it at distances of 30 to 40 feet, try placing the Black Antenna wire above the ceiling and outside of the junction box.

### FOR HELP

Call Customer Help Line at: 800-519-4092

## NOTICE

Your Ceiling Fan and Light Assembly Must Meet the Following Requirements:

### DO NOT USE WITH SOLID-STATE FANS.

#### ELECTRICAL:

120 Volts AC 60 Hz.  
Max Motor Amps 1.0 - CEILING FAN ONLY  
Max Light Watts - 240 INCANDESCENT ONLY

#### MECHANICAL:

The decorative housing (CANOPY) at the ceiling Must Be Metal.  
The metal housing acts as a protective cover for the Control Unit.

### DO NOT USE WITH A NON-METALLIC HOUSING

### ONE YEAR LIMITED WARRANTY

### CUSTOMER HELP LINE AVAILABLE for INSTALLATION AND TROUBLESHOOTING

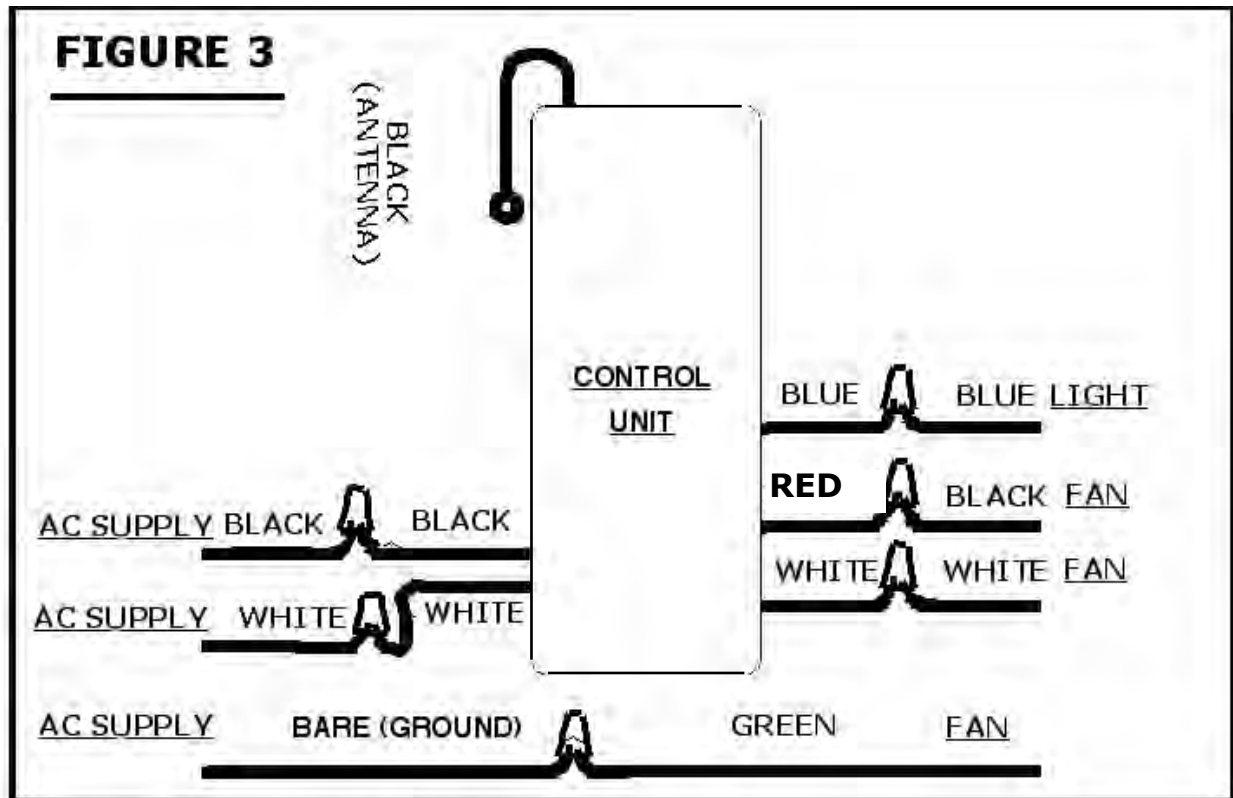
## INSTRUCTIONS

**FOLLOW ALL SAFETY INSTRUCTIONS IN YOUR CEILING FAN INSTRUCTION MANUAL.**

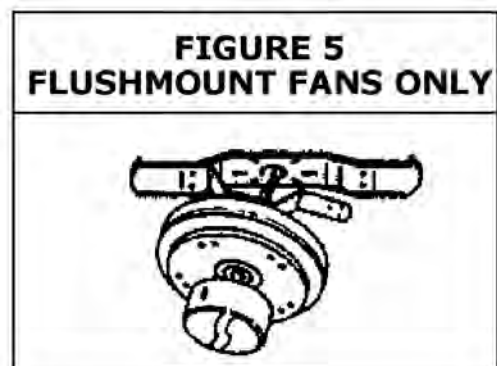
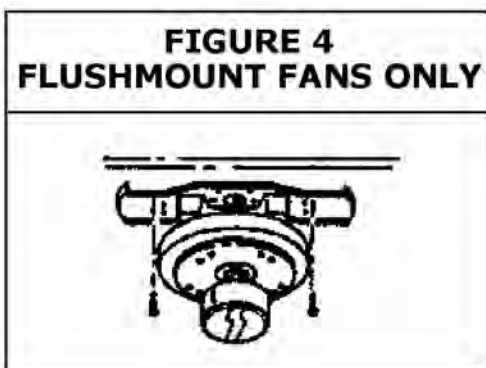
**\*REMEMBER TO REMOVE ELECTRICAL POWER BEFORE STARTING WORK.\***

**WIRING MUST MEET ALL ELECTRICAL CODES.**

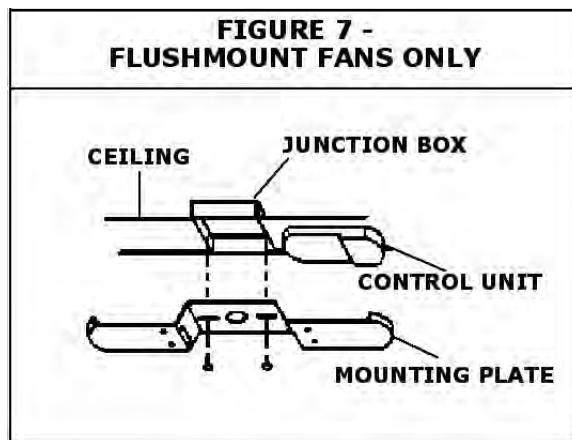
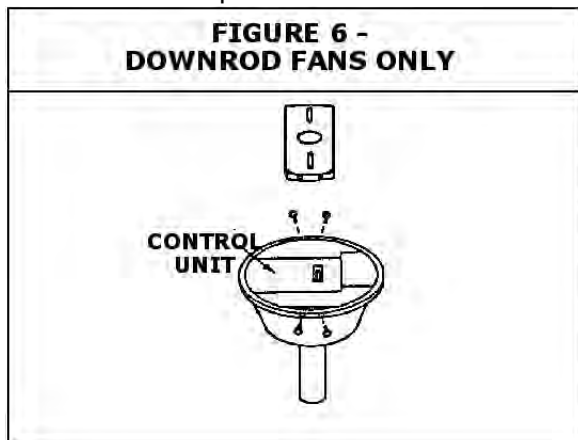
### A. MAKING THE ELECTRICAL CONNECTIONS (See Fig. 3) USE WIRE NUTS FOR ALL CONNECTIONS



1. Remove electrical power from the circuit.
2. **FOR FANS ON A DOWNROD:** Remove ceiling fan CANOPY from its mounting plate. Go to step 4.
3. **FOR FLUSHMOUNT FANS:** Remove decorative housing from mounting plate. (See Fig. 4)
4. **FOR FLUSHMOUNT FANS:** Disconnect mounting bracket from mounting plate and allow to hang from one side. (See Fig. 5)
4. Disconnect existing wiring from supply at ceiling.
5. Connect GREEN fan wire to BARE (ground) wire.
6. Connect BLACK Control Unit wire to BLACK supply wire (AC L).
7. Connect WHITE Control Unit wire to WHITE wire of supply (AC N)
8. Connect WHITE Control Unit wire (MOTOR N) to WHITE fan wire.
9. Push the connected wires up into the junction box. Place BLACK wires on one side of box, and WHITE, GREEN and BARE wires on the other side of the box.
10. Connect RED Control Unit wire (MOTOR L) to BLACK fan wire.
11. Connect BLUE Control Unit wire (FOR LIGHT) to BLUE light wire.



12. Push the connected wires up into the junction box.
  13. Lay the BLACK Control Unit wire (Antenna) on top of the Control Unit.
  14. FOR FANS ON A DOWNROD: Lay the Control Unit in the CANOPY. (See Fig 6)  
FOR FLUSHMOUNT FANS: Attach Control Unit to mounting plate or to ceiling with tie wraps supplied. (See Fig 7)
- NOTE: If the unit does not fit properly between the mounting plate and ceiling, attach the unit to the underside of the mounting plate.
15. FOR FANS ON A DOWNROD: Reinstall the CANOPY on its mounting plate, Go to step 17.  
FOR FLUSHMOUNT FANS: Reconnect mounting bracket to mounting place. (See Fig. 4)
  16. FOR FLUSHMOUNT FANS: Reinstall the decorative housing on its mounting plate.
  17. Restore electrical power to the circuit.



**IMPORTANT!**  
**Fan Installation must be complete INCLUDING ASSEMBLY  
OF BLADES  
before testing remote control unit.**

1. This unit operates on one 12 volt battery (included). Duracell MN21/Eveready A23/GP23A all 12v.
  2. Store the controller unit away from excess heat or humidity.
  3. This remote control unit is equipped with 16 code combinations. Because of the many combinations, interference from other remotes is possible (i.e. garage openers, car alarms, security systems, etc.). If your fan/light goes on or off without using your remote, simply change the codes on both the control unit in the fan and in your remote transmitter.
  4. THE FAN AND LIGHT MUST BE SET AT THEIR HIGHEST/BRIGHTEST SETTINGS BEFORE STARTING! In order to operate your fan using the remote, make sure the fan is set on "HIGH" and the light is in the "ON" or "BRIGHTEST" position by using the pull chain controls originally supplied with your fan.
  5. Operation buttons on the panel of the transmitter:
    - - For FAN High speed
    - - For FAN Medium speed
    - - For FAN Low speed
    - Square - For FAN Off
    - For Light brightness and on/off control
  6. To turn ON the FAN - press the selected speed button to run the fan at the desired speed.
  7. To turn OFF the FAN-press the "Square" button
  8. For LIGHT control -
    - Turn the light on or off by pressing the light button.
    - If you keep the light button pressed, the light will dim, go off and come back on at the brightest level. The light will continue to make this cycle until the button is released.
- \*If you turn your power source off, the settings on your fan and light will remain the same when you turn the power back on.

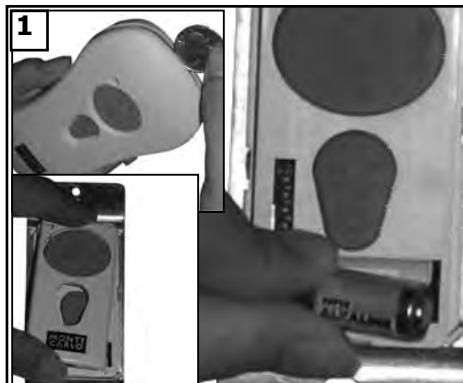
**YOUR REMOTE NOW HAS FULL CONTROL OF THE FAN LIGHT**

# MONTE CARLO®

The wall control transmits the command signals via radio waves to the receiver installed in the fan's hanging bracket or on the fan. The receiver is required for the wall control to function. Power for the wall control comes from the 12V battery located in the wall remote. Duracell MN21 / Eveready A23 / GP 23A all 12V.

The frequency switches (dip switches) on the wall control and the receiver have been preset at the factory. Please recheck to make sure the switches on the wall control and receiver are set to the same position. Any combination of settings are fine as long as the wall control and ceiling fan receiver are set to the same position.

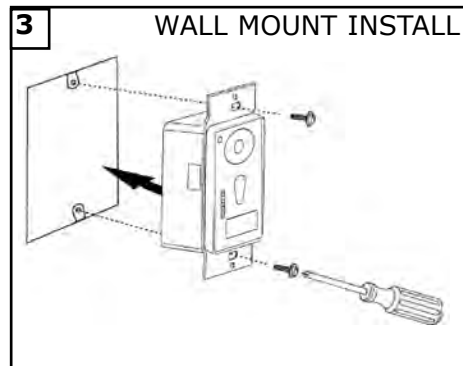
**CAUTION: TURN OFF POWER AT FUSE BOX TO AVOID POSSIBLE ELECTRICAL SHOCK.**



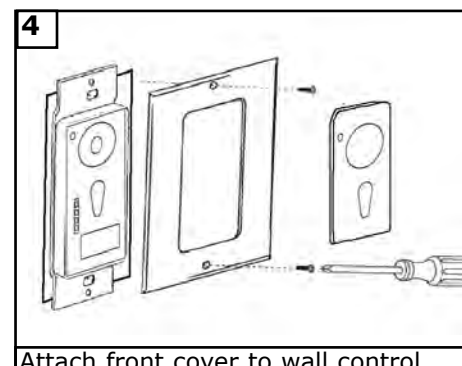
1 Remove cover by snapping off from top or bottom. Remove battery cover. Install 12V battery into wall remote. Duracell MN21 / Eveready A23 / GP 23A all 12V.



2 HAND HELD INSTALL  
Place face plate over battery compartment and buttons. Place remote over 2 pins on front cover. Attach cover of remote by placing over 4 pins and snapping into place.



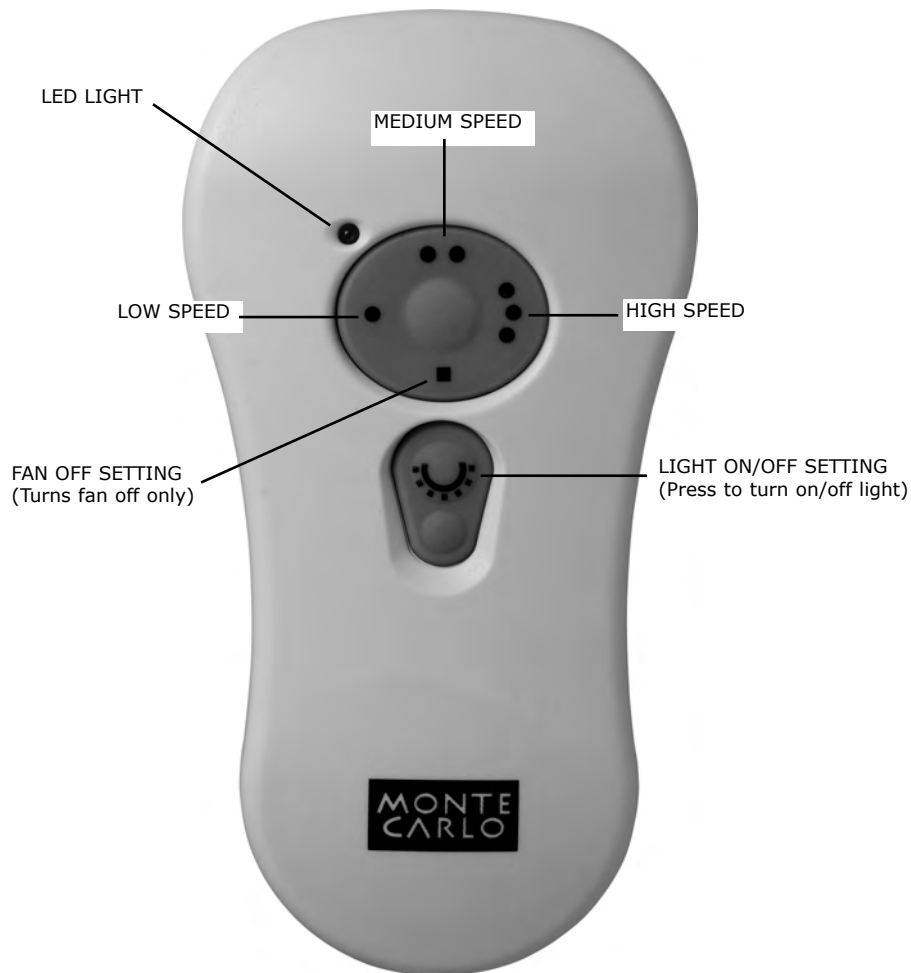
3 WALL MOUNT INSTALL  
Install wall control unit to outlet box using machine screws provided.



4 Attach front cover to wall control with screws provided. Snap battery cover in place.

# MONTE CARLO®

## Remote Control Transmitter Features:



**FAN SPEED** Depress "1 dot" for low speed, "2 dots" for medium or "3 dots" for high. To turn fan off press square".

**LIGHT ON/OFF** To turn light on, press light button once quickly. To turn off press once quickly while light is on.

Aug.08.09