

Low Voltage Recess Lighting

Catalog Number

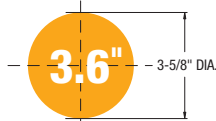
- 9881** White / Black Baffle
- 9887** Black / Black Baffle
- 9888** Br. Nickel / Black Baffle



Pinhole Downlight w/ Baffle Trim

• Ceiling Cut-out

3 5/8" dia



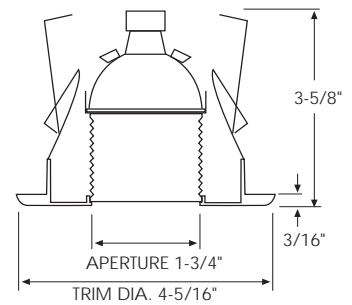
Hole Cut-out

• Lamp

Maximum 35W or 50W 12V MR16 bi-pin
(lamp not included)

• Construction

Die Cast A380 Aluminum Trim
Black Aluminum Baffle
Spring Steel mounting clips
Socket Ceramic bi-pin socket (supplied with housing)



• Listings



UL 1598 listed

© Design copyright

• Housings



3.6 New Construction Housing

DX Integral Magnetic Transformer
120V/11.6V, 35W-50W max. MR16 bi-pin

DX277 Integral Magnetic Transformer
277V/11.6V, max. 50W MR16 bi-pin

DX75 Integral Magnetic Transformer
120V/11.6V, max. 75W MR16 bi-pin



3.6 Remodel Housing

DXR Integral Magnetic Transformer
120V/11.6V, max. 50W MR16 bi-pin

DXR277 Integral Magnetic Transformer
277V/11.6V, max. 50W MR16 bi-pin

DXR35 Integral Magnetic Transformer
120V/11.6V, max. 35W MR16 bi-pin



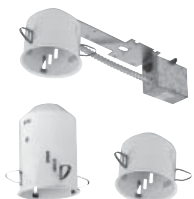
3.6 Insulated Ceiling Housing

DXIC Integral Electronic Transformer
120V/11.6V, max. 50W MR16 bi-pin

DXIC-AT Air Tight Integral Electronic Transformer
120V/11.6V, max. 50W MR16 bi-pin

DXICM Integral Magnetic Transformer
120V/11.6V, max. 50W MR16 bi-pin

DXICM-AT Air Tight Integral Magnetic Transformer
120V/11.6V, max. 50W MR16 bi-pin



3.6 Remote Transformer Housing

TCJ Tall Can w/J-Box & Thermal Protector
120V/11.6V, max. 50W MR16 bi-pin

SCJ Short Can w/J-Box & Thermal Protector
120V/11.6V, max. 35W MR16 bi-pin

TC Tall Can
120V/11.6V, max. 50W MR16 bi-pin

SC Short Can
120V/11.6V, max. 35W MR16 bi-pin

Trim	Housings	MR Optical Accessories	Lamp
<input type="checkbox"/> 9881 White <input type="checkbox"/> 9887 Black <input type="checkbox"/> 9888 Br. Nickel	<input type="checkbox"/> DX <input type="checkbox"/> DX277 <input type="checkbox"/> DX75 <input type="checkbox"/> DXR <input type="checkbox"/> DXR277 <input type="checkbox"/> DXR35 <input type="checkbox"/> DXIC <input type="checkbox"/> DXIC-AT <input type="checkbox"/> DXICM <input type="checkbox"/> DXICM-AT <input type="checkbox"/> TCJ <input type="checkbox"/> SCJ <input type="checkbox"/> TC <input type="checkbox"/> SC	<input type="checkbox"/> 0-14 <input type="checkbox"/> 0-15 <input type="checkbox"/> 0-16 <input type="checkbox"/> 0-17 <input type="checkbox"/> 0-18 <input type="checkbox"/> 0-13 <input type="checkbox"/> 0-30 <input type="checkbox"/> 0-31 <input type="checkbox"/> 0-34	<hr/>