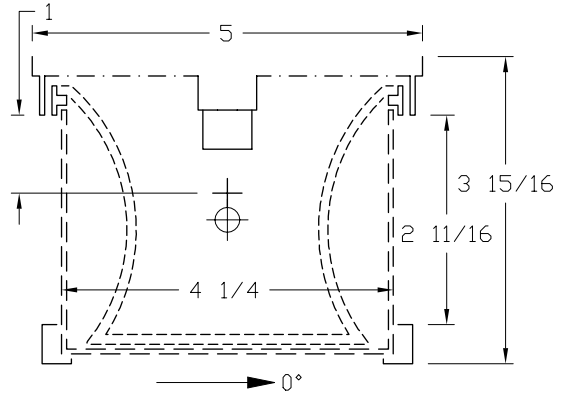


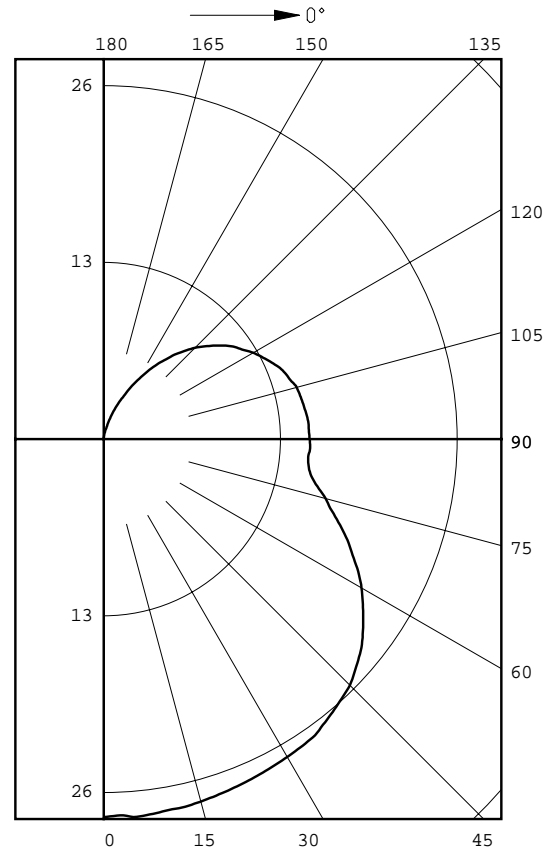
## GRAVITY

## SS1010

DEG	CANDELA	LUMENS
0	27.8	
5	27.9	2.7
15	27.6	7.8
25	27.2	12.6
35	26.8	16.8
45	25.6	19.7
55	23.3	20.9
65	20.2	20.1
75	16.9	17.8
85	15.1	16.6
90	15.1	
95	15.1	16.4
105	14.7	15.4
115	13.5	13.4
125	11.8	10.6
135	9.5	7.3
145	6.6	4.1
155	3.5	1.7
165	1.2	0.4
175	0.1	0.0
180	0.0	



ZONAL LUMEN SUMMARY			
ZONE	LUMENS	%LAMP	%FIXT
0- 30	23.1	6.1	11.3
0- 40	39.8	10.5	19.5
0- 60	80.4	21.2	39.4
0- 90	134.9	35.5	66.0
90-120	45.3	11.9	22.2
90-130	55.8	14.7	27.3
90-150	67.3	17.7	32.9
90-180	69.4	18.3	34.0
0-180	204.3	53.8	100.0





A Division of Troy-CSL Lighting, Inc.

# ARCHITECTURAL

Project \_\_\_\_\_

Fixture Type \_\_\_\_\_

## GRAVITY

## SS1010

LUMINANCE DATA IN CANDELA/SQ M  
ANGLE AVERAGE  
IN DEG

45	2191.
55	2064.
65	1915.
75	1781.
85	1855.

CANDELA DISTRIBUTION

0.0	27.8
5.0	27.9
10.0	27.7
15.0	27.6
20.0	27.4
25.0	27.2
30.0	27.0
35.0	26.8
40.0	26.2
45.0	25.6
50.0	24.6
55.0	23.3
60.0	21.9
65.0	20.2
70.0	18.5
75.0	16.9
80.0	15.5
85.0	15.1
90.0	15.1
95.0	15.1
100.0	14.9
105.0	14.7
110.0	14.2
115.0	13.5
120.0	12.7
125.0	11.8
130.0	10.7
135.0	9.5
140.0	8.1
145.0	6.6
150.0	5.0
155.0	3.5
160.0	2.3
165.0	1.2
170.0	0.6
175.0	0.1
180.0	0.0

ZONAL LUMEN SUMMARY

0- 5	1.
5- 10	2.
10- 15	3.
15- 20	5.
20- 25	6.
25- 30	7.
30- 35	8.
35- 40	9.
40- 45	10.
45- 50	10.
50- 55	10.
55- 60	10.
60- 65	10.
65- 70	10.
70- 75	9.
75- 80	9.
80- 85	8.
85- 90	8.
90- 95	8.
95-100	8.
100-105	8.
105-110	8.
110-115	7.
115-120	6.
120-125	6.
125-130	5.
130-135	4.
135-140	3.
140-145	2.
145-150	2.
150-155	1.
155-160	1.
160-165	0.
165-170	0.
170-175	0.
175-180	0.