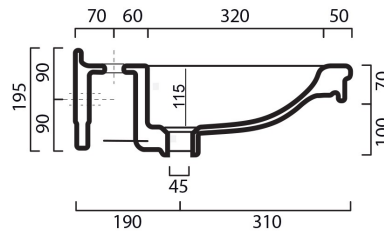
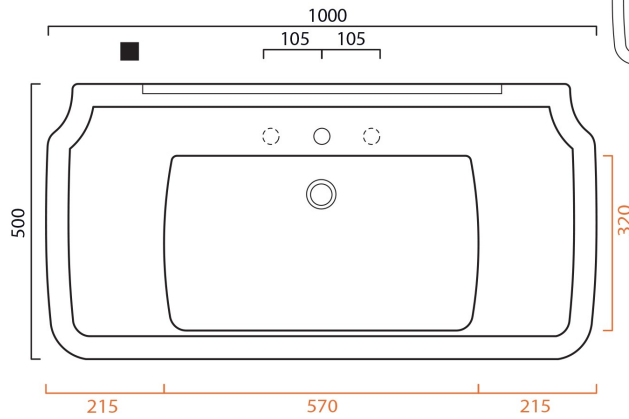
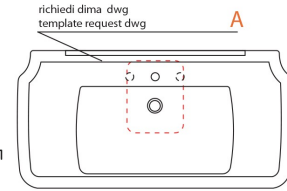


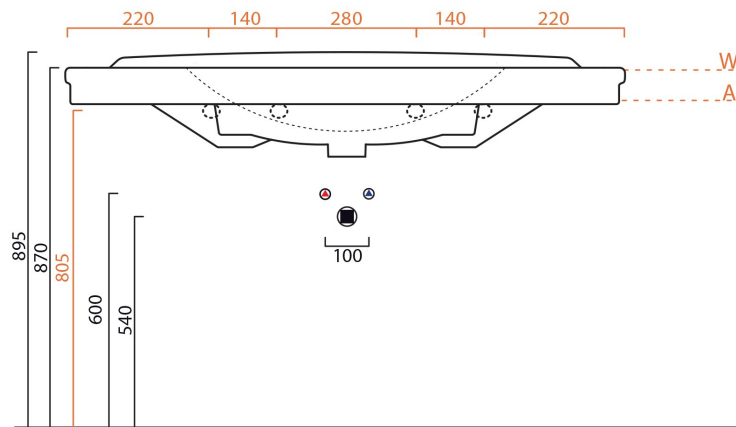
Product Specs Sheets

○ = smaltato perimetralmente
all glazed sides

■ = non smaltato dietro
unglazed behind



U= sottopiano
undercounter
I= incasso
inset
A = appoggio
freestanding
W= sospeso
wall hung



nova 100

Collection Ceramic II

Model | Nova 100

Dimensions
shown metric

WS BATH COLLECTIONS

1051 Lea Drive - Collegeville, PA 19426
Tel. 610 831 0214 - Fax 610 831 0215
www.wsbathcollections.com
info@wsbathcollections.com