

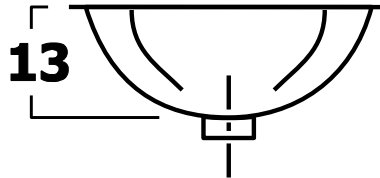
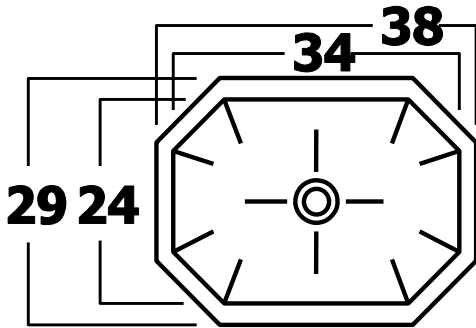
Seychelles 3025

**Model: SEYCHELLES 3025**

**Dimensions (inch):**

Inside: 13.4 x 9.4 x 5.1

Overall: 15.0 x 11.4



WS BATH COLLECTIONS

1051 Lea Drive

Collegeville, PA 19426

Tel. 610 831 0214

Fax 610 831 0215

[www.wsbathcollections.com](http://www.wsbathcollections.com)

[info@wsbathcollections.com](mailto:info@wsbathcollections.com)