



**FOLDABLE ADIRONDACK CHAIR WITH OTTOMAN
MPG-AC02F**

Please check contents **before** assembly. If any items are missing or damaged, **do not take the unit back to the store.** Please call (416) 597-2291 for customer service and we will save you time by correcting any problems.

CARE INSTRUCTIONS

The Adirondack Chair has been conditioned for outdoor use with an oil-based color stain. To maintain the beauty and life expectancy of the chair, it is highly recommended that you treat the chair with a weather-proof coating (wood oil stain or paint) once a year.

- Cover the Adirondack Chair during harsh weather to keep it from weathering.
- Rinse any panels with water to clean.
- When assembling MERRY PRODUCTS™ ADIRONDACK FURNITURE, please handle all panels and/or hardware with care to avoid any possibilities of damages and/or injuries.

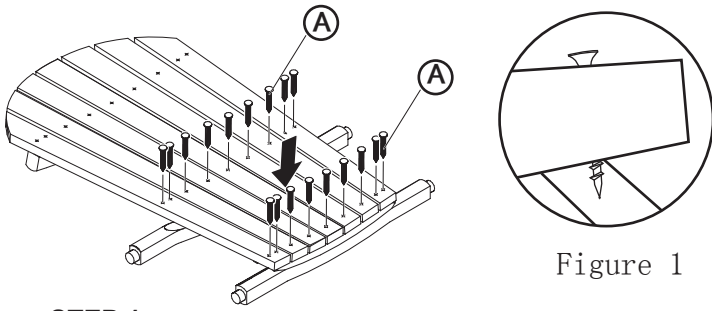
COMPONENTS				HARDWARE
Right Arm Rest x 1	Center Cross Beam x 1	Folding Bracket x 2	Front Leg Cross Beam x 1	<p>(A) $\phi 3.8 \times 45$ 26+1</p> <p>(B) M8x65 4+1</p> <p>(C) M8x55 4+1</p> <p>(D) M8x55 2+1</p>
Left Arm Rest x 1	Bottom Cross Beam x 1	Base Bottom Support x 1	Front Legs x 2	
Back Rest x 1	Seat Slat x 1	Wooden pin x 2	Seat x 1 u	

TOOLS RECOMMENDED

2
Phillips
Screwdriver

13mm

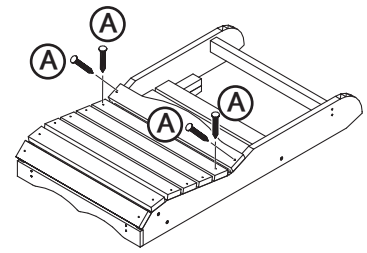
- NOTE:**
- Read all instructions before starting.
 - Do not completely tighten any bolts until the unit is fully assembled and sitting on a level surface.
 - Weight Capacity up to 275 lbs.



STEP 1

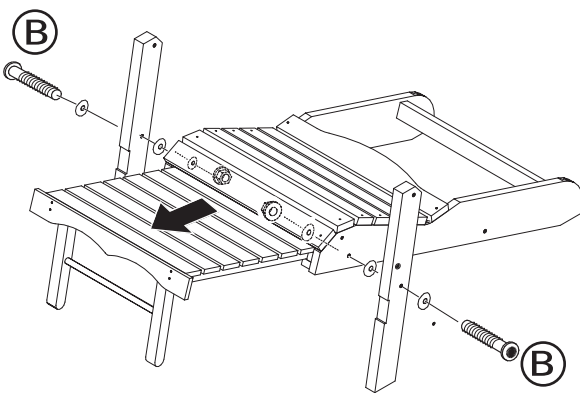
Attach the Center Cross Beam and Bottom Cross Beam to the Back Rest using 18 A screws.

Tip: Insert screws partially through Back Rest, then position screw end onto pre-marked points on Cross Beams. See Figure 1 for reference. Secure screws partially until all screws are in place, then tighten completely.



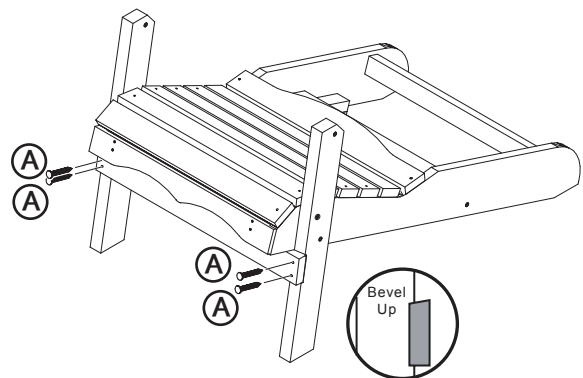
STEP 2

Attach Seat Slat and Base Bottom Support onto Seat using 4 A screws. Align screws ends with pre-marked points.



STEP 3

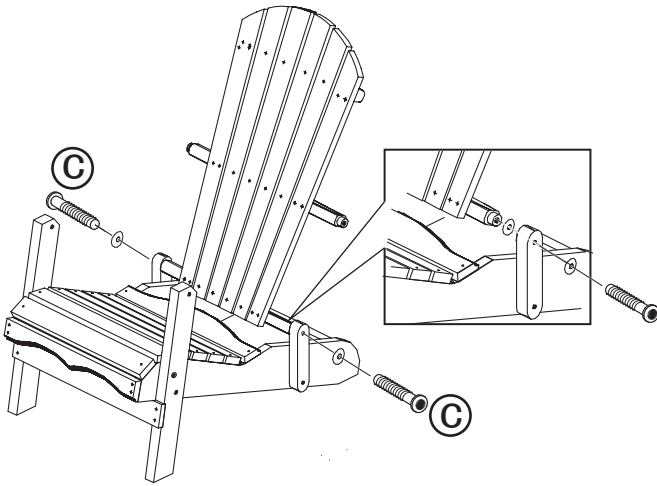
Attached the Front Legs to the Seat using 2 B bolts. Pull the ottoman out to make this assembly step easier.



STEP 4

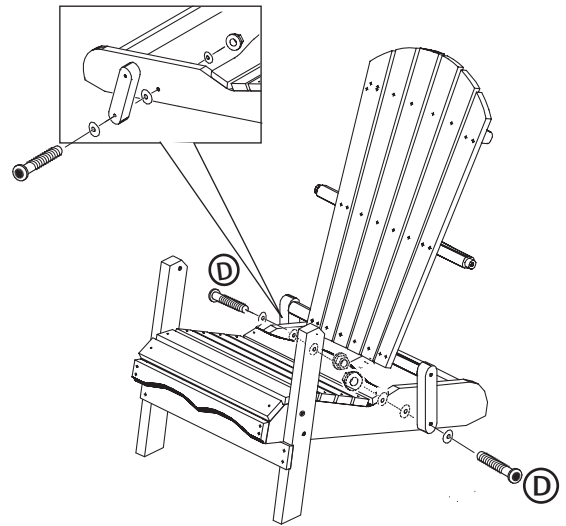
Secure the Front Leg Cross Beam and Front Legs together using 4 A screws.

Note that the beveled edge of the front leg cross beam faces the top of the chair.



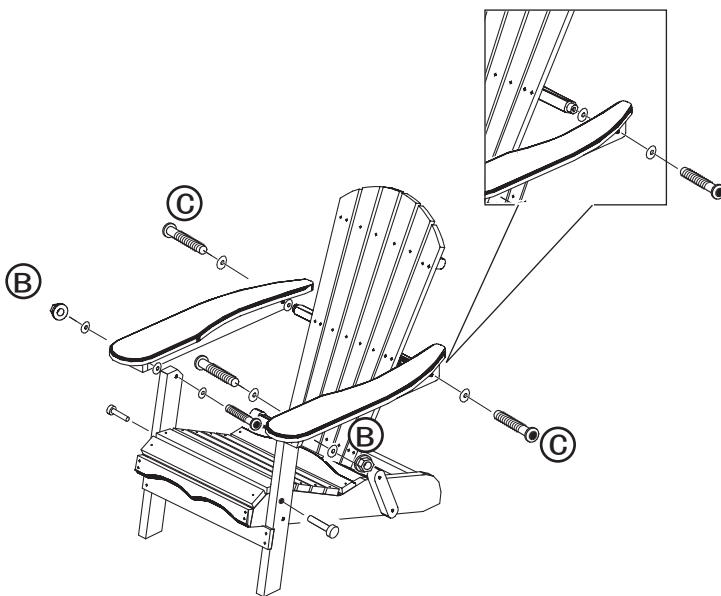
STEP 5

Insert the Back Rest into the recessed holes of the Folding Brackets. Secure using 2 C bolts. Reference the position of the washer.



STEP 6

Attach the Folding Brackets to the Seat using 2 D bolts. Reference the position of the washers.



STEP 7

Secure the front of the Left and Right Arm Rests to the Front Legs using 2 B bolts. Secure the back of the Arm Rests to the Center Cross Beam using 2 C bolts. Reference the position of the washers. Insert the wooden pins through the pre-drilled holes on the front legs and the seat.

Tip: If the Arm Rests do not line up with the Front Legs, loosen the bolts connecting the Front Legs to the Seat allowing the legs to swivel more easily. Pull out the wooden pins when folding the chair.



STEP 8

The chair assembly is now complete. Please note that the ottoman will only retract to a certain length due to a stopper on the front slat. When inserting the ottoman back into the Seat, fold ottoman legs up.