






MPG-PT-41110P

Porch Rocker

Hardware Included	Quantity	Parts included	Quantity
A 	14	Left Side	1
B 	4	Right Side	1
		Arm Supports	2
		Rockers	2
		Back	1
		Seat	1
		Front Rail	1
Hex wrench 	1		

Assembly

Step 1. Identify and organize all Porch Rocker parts before assembly. Referring to the illustration (Figure 1), note the location of all predrilled screw holes and open any that may have paint covering them.

Step 2. Attach the Arm Supports to the Left and Right Sides, using the (4) B screws and hex wrench. (Figure 1)

Step 3. Attach the Rockers to the bottoms of the sides, using (4) A screws. (Figure 1)

Step 4. Attach the Seat and Back and Front Rail to the Left Side, using (5) A screws. (Figure 2)

Step 5. Attach the Seat and Back and Front Rail to the Right Side, using (5) A screws. (Figure 2)

Figure 1

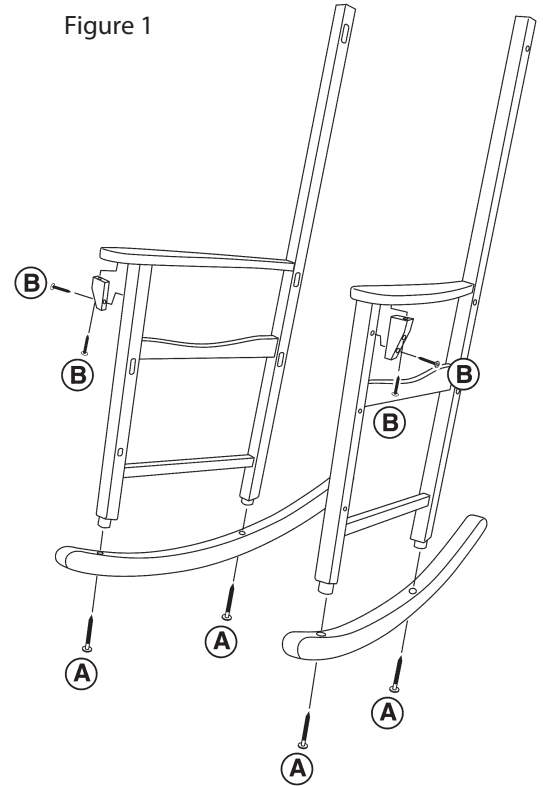


Figure 2

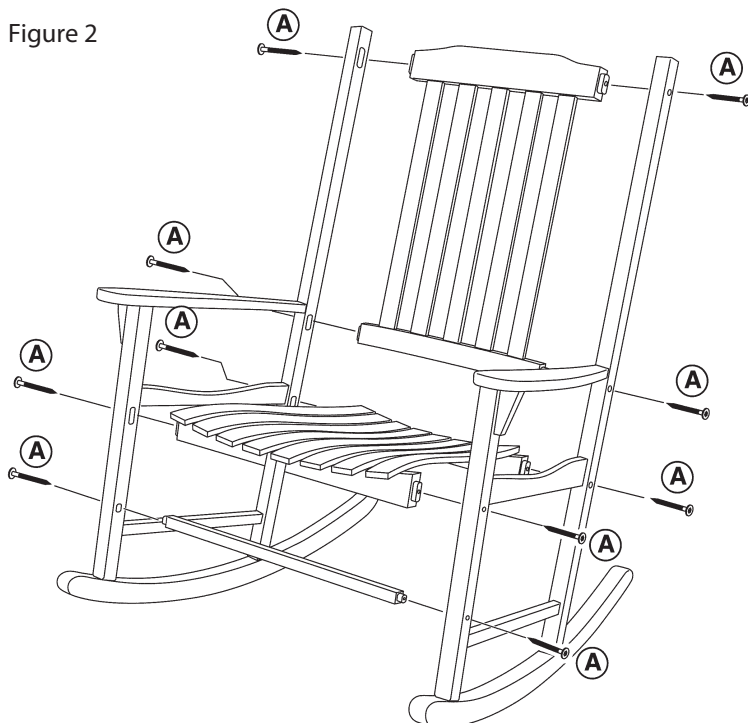


Figure 3

Assembly Completed

