



Pink Adjustable Twist Stepper

Model : P8000



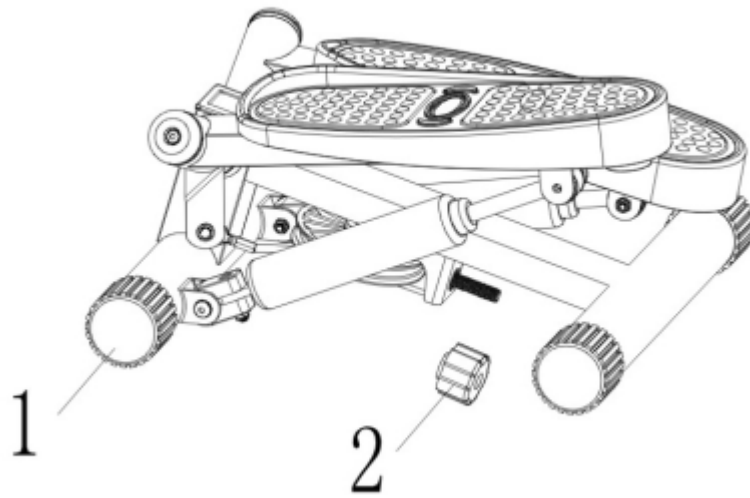
For Customer Service, please contact: support@sunnyhealthfitness.com

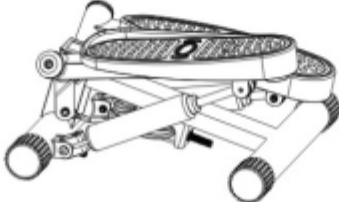

Important Safety Information

We thank you for choosing our product. To guarantee your safety and health, please use this equipment correctly. Please read the information below carefully before using this equipment.

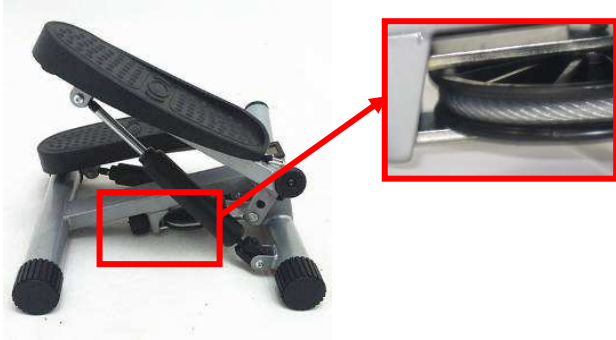
1. It is important to read this entire manual before assembling and using the equipment. Safe and effective use can only be achieved if the equipment is assembled, maintained and used properly.
2. Before starting any exercise program you should consult your doctor to determine if you have any medical or physical conditions that could put your health and safety at risk, or prevent you from using the equipment properly. Your doctor's advice is essential if you are taking medication that affects your heart rate, blood pressure or cholesterol level.
3. Be aware of your body's signals. Incorrect or excessive exercise can damage your health. Stop exercising if you experience any of the following symptoms: pain, tightness in your chest, irregular heartbeat, and extreme shortness of breath, lightheadedness, dizziness or feelings of nausea. If you do experience any of these conditions you should consult your doctor before continuing with your exercise program.
4. Keep children and pets away from the equipment. The equipment is designed for adult use only.
5. Use the equipment on a solid, flat level surface with a protective cover for your floor or carpet. To ensure safety, the equipment should have at least 1.7 feet of free space all around it.
6. Before using the equipment, check that the nuts and bolts are securely tightened. Always use the equipment as indicated. If you find any defective components while assembling or checking the equipment, or if you hear any unusual noises coming from the equipment during use, stop immediately. Do not use the equipment until the problem has been rectified.
7. There are many functions of the computer; the data will show when using the equipment and will display information about your exercise routine.
8. Wear suitable clothing while using the equipment. Avoid wearing loose clothing that may get caught in the equipment or that may restrict or prevent movement.
9. This equipment is designed for indoor and home use only, not intended for commercial use.
10. Care must be taken when lifting or moving the equipment so as not to injure your back.
11. The equipment is not suitable for therapeutic use.
12. Maximum weight of user: 220LB.
13. Please save this manual and the assembling tools as well.

Parts List and Exploded Illustration



Parts No.	Parts	QTY
1		1
2		1

Assembly Instructions



1. Lift one pedal all the way up and hook the Cable on the Wheel.



2. Tighten the Adjustment Knob onto the Base Frame.

Operating Instructions

1. Please follow and read the instructions before assembling and using the equipment. Any other kinds of improper use are strictly prohibited.
2. To operate your stepper, make sure the Cable is connected to the wheel of Base Frame.
3. The suggested time limit of exercise is 10 - 15 minutes, at least 3 times a week.
4. To start exercise, always make sure your feet step right on the pedals; and that all nuts and bolts are securely tightened.
5. Use Knob (2) to adjust the stepping height & tension.
 - + → Tension gets stronger when tightening the knob and moving range gets higher.
 - → Tension gets weaker when loosening the knob and moving range gets lower.

Maintenance and Care Instructions

1. If the stepper screeches during exercise, please loosen the screw of U-Shaped iron and cable. Then, lubricate U-Shaped iron and cable to improve the sliding condition (as seen in picture below). After lubricating with oil, please secure the U-Shaped iron and Cable.
2. Only use dry cloth to gently wipe the stepper clean after usage. Then store your stepper in a dry place.
3. It's normal for sound to come from the cylinder when it gets hot during exercise.
4. The cylinder will become hot while exercising. Please do not touch the cylinder to avoid burning your hand.
Please lubricate U-Shaped iron and cable (see below)



Computer Functions




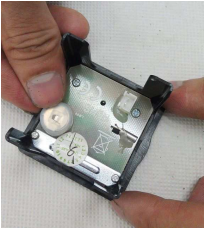
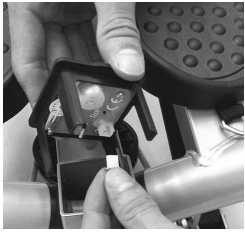

- MODE/RESET: Press the red “mode” button to select each function. Hold the button down for 3 seconds to reset to zero.
- SCAN : Press “mode” button to select “scan”, then it will automatically scan through each function in sequence.
- TIME : Automatically accumulates workout time when starting exercise.
- CALORIES: Automatically accumulates calories consumed during exercise.
- COUNT: Automatically accumulates the counts of steps made during exercise sessions.
- REPS/MIN : Automatically displays the count of steps per minute.



Note

1. If you have an inaccurate reading on the monitor, please replace the battery immediately (please see below instructions.)

Battery Exchange Instructions

1) Take off the plastic cap.	
2) Push the battery out by tool/finger.	
3) Insert the new battery in by tool/finger. Please make sure the anode (with words) is on the top.	
4) Cover the battery with the plastic cap.	5 
5) Connect the wire onto the meter.	
6) Insert the meter on Base Frame (2).	

2. Please use (1) LR44, 1.5V battery.
3. The monitor is auto-powered. It turns on when exercise begins, and it turns off when no movement is made between 4 to 5minutes.
4. All functions will automatically stop calculating when a “stop” sign appears in the upper left corner of the display monitor. This occurs when there is no signal for a period of 4 seconds. Once the exercise begins again, the meter will automatically start recalculating and the “stop” sign will disappear.