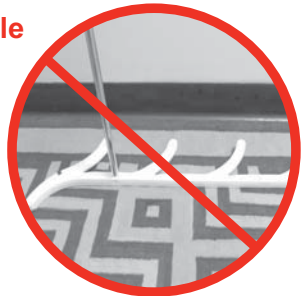


ATTENTION: Assemble all parts on a solid surface (not carpet) or damage will occur!

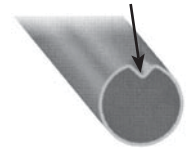
STEP 1 VERY IMPORTANT!

Assemble all parts on a smooth, hard surface such as wood or concrete.

DO NOT assemble on soft surfaces such as carpet or damage will occur.

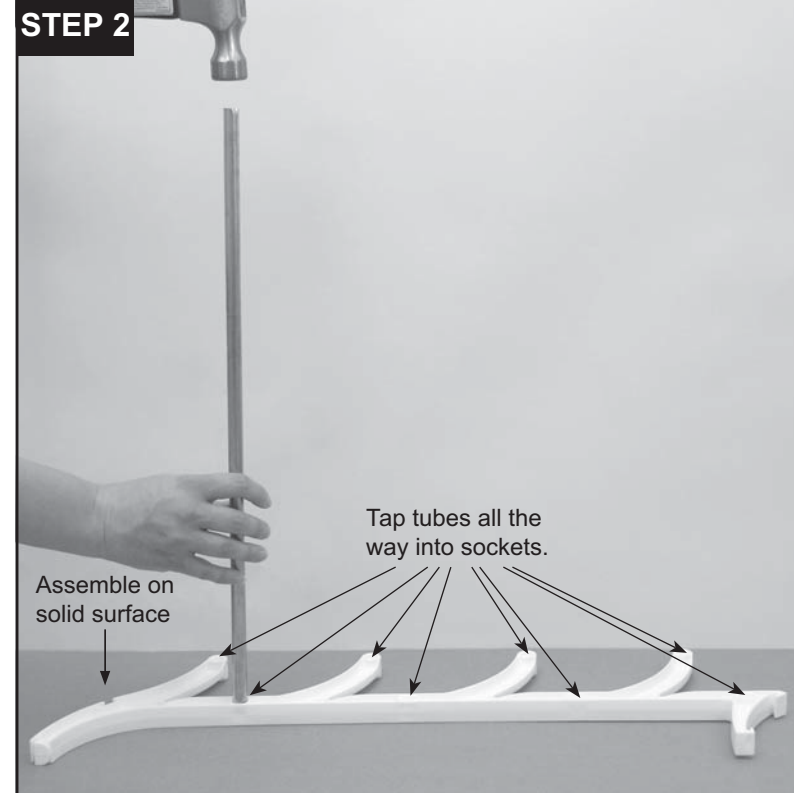


Indentation

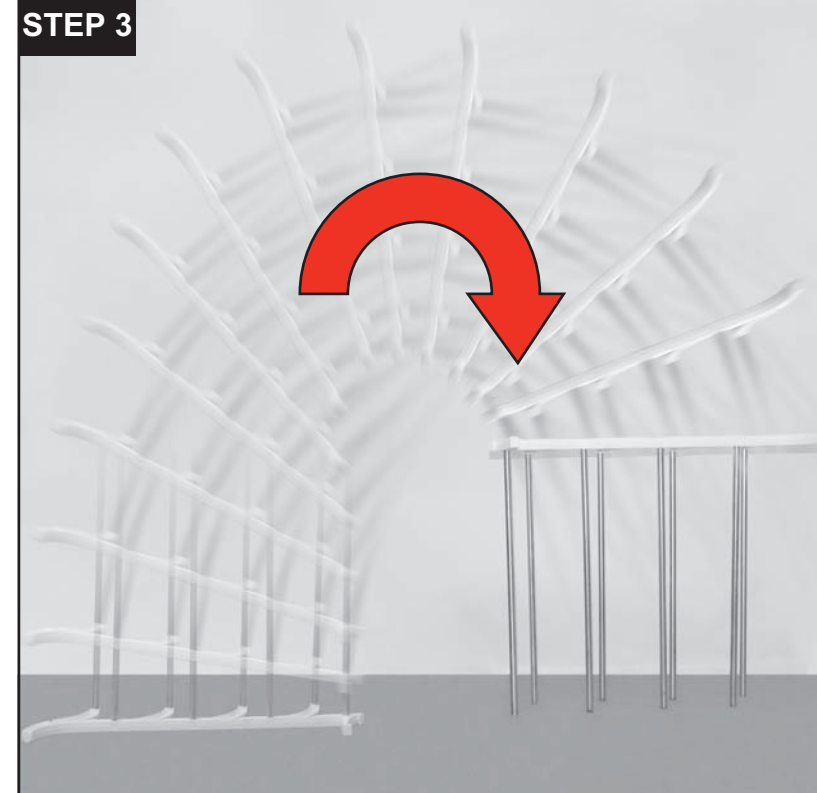


The ends of the steel tubes are intentionally indented to ease assembly.

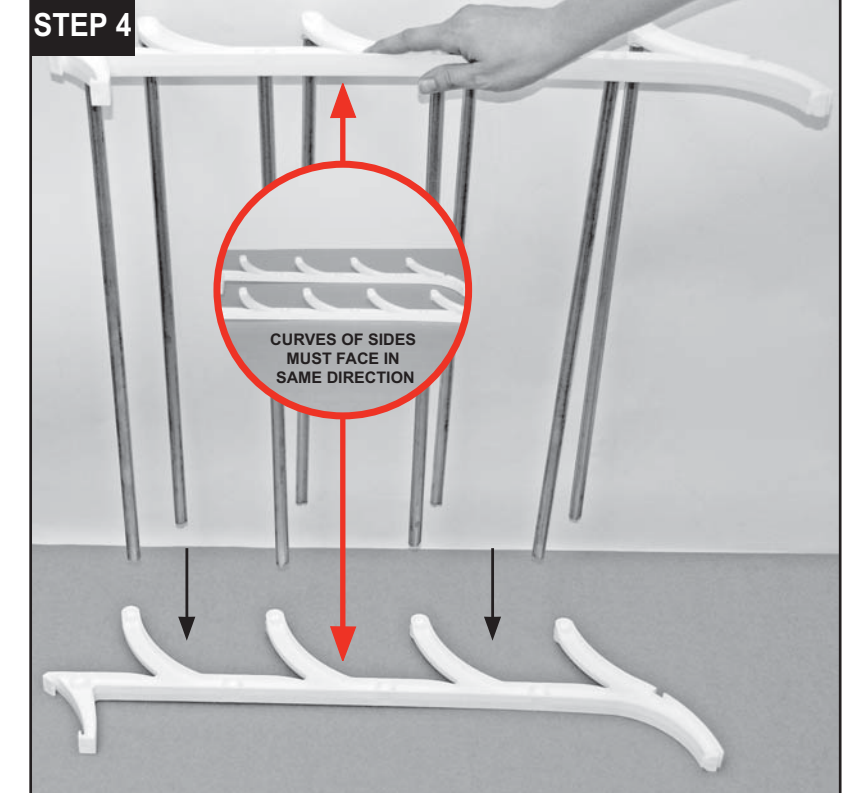
Firmly hammer tubes all the way into each socket. If this is not done, the product will not stay together.



STEP 2: Firmly hammer tubes into each of the eight (8) sockets.



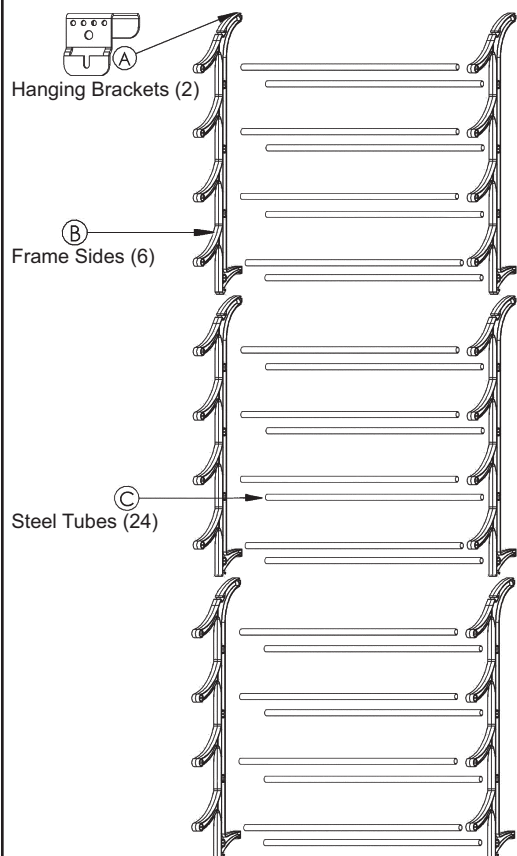
STEP 3: Rotate clockwise, turning assembly over.



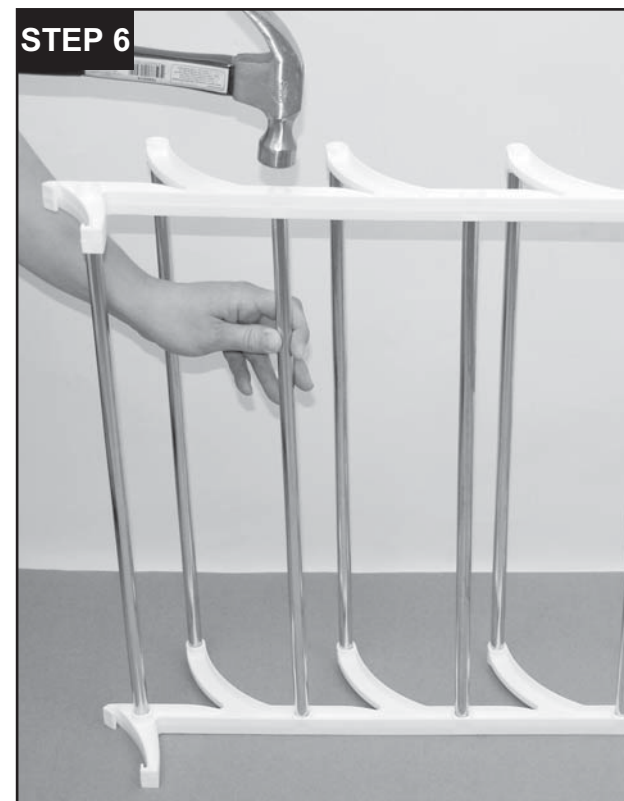
STEP 4: Line up tubes with sockets.

! CURVES OF SIDES MUST FACE IN THE SAME DIRECTION

OVERDOOR SHOERACK PARTS LIST

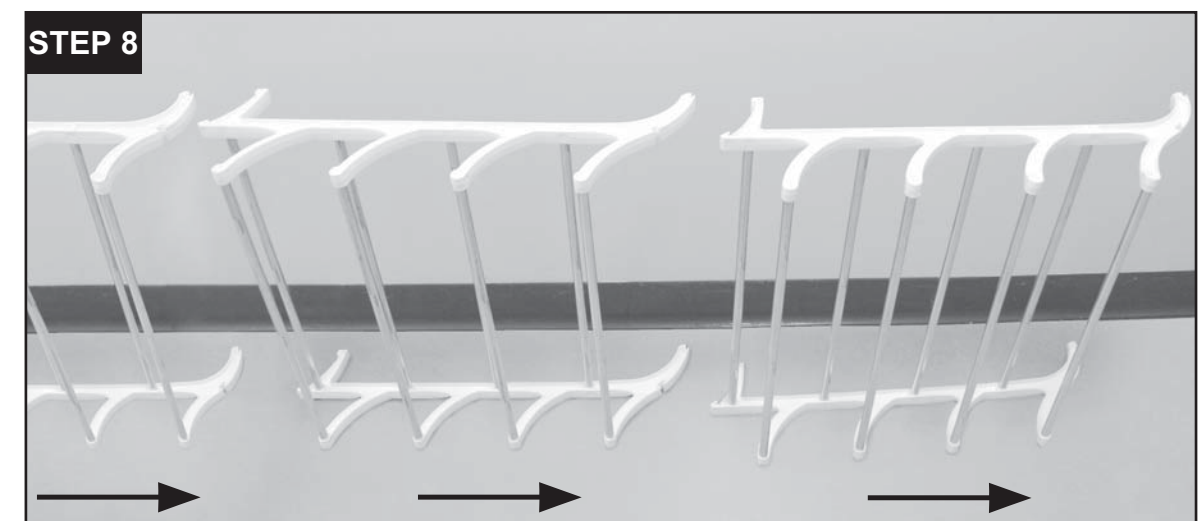


STEP 5: Guide each tube into socket and gently tap to hold in place.



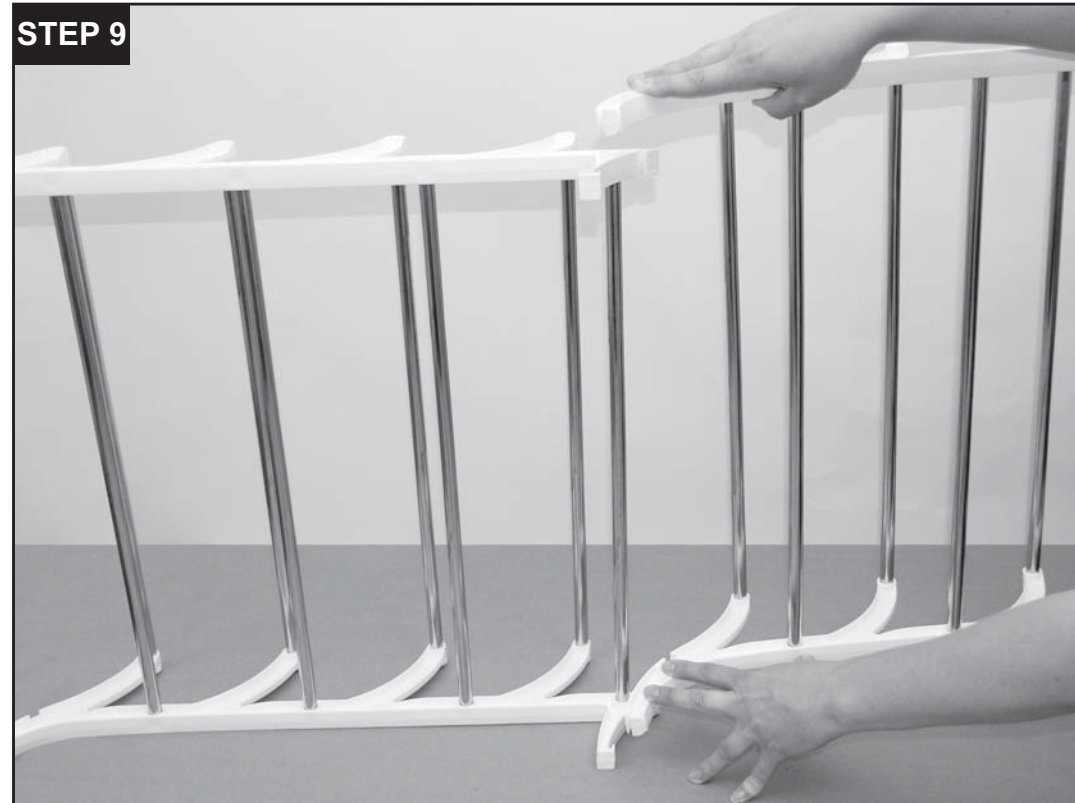
STEP 6: Firmly hammer tubes all the way into sockets. **If this is not done, the product will not stay together.**

STEP 7 Repeat Steps 2-6 with remaining sides and tubes.

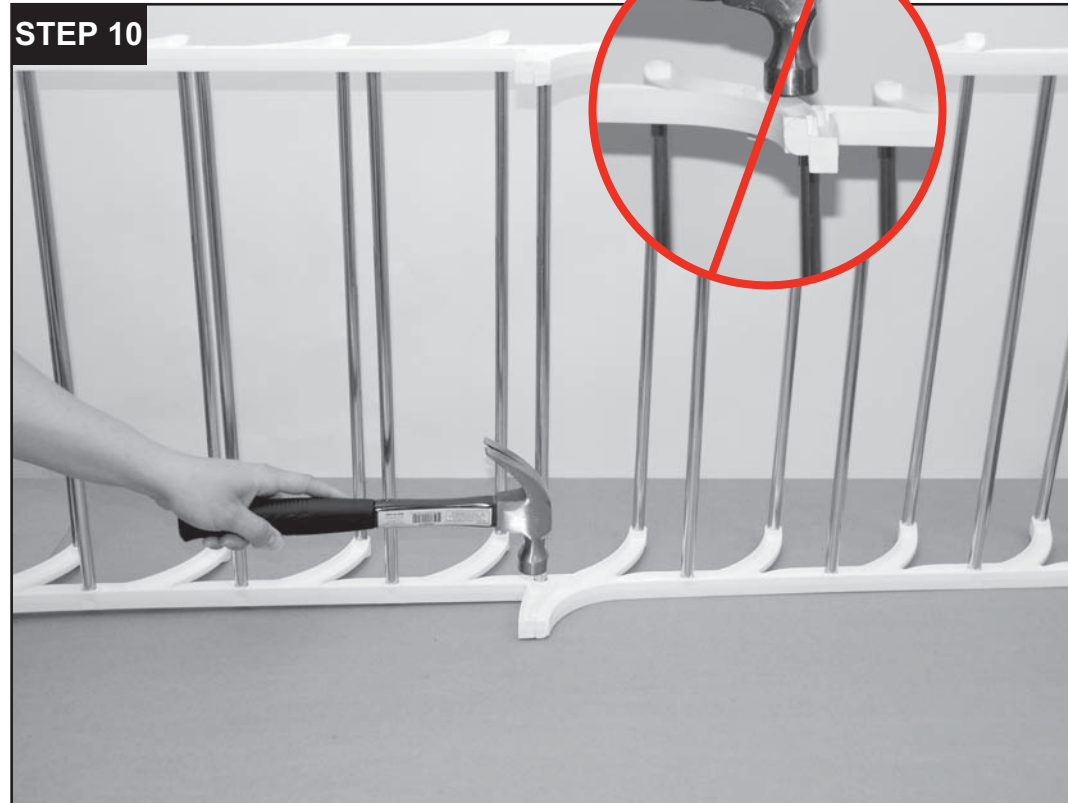


STEP 8: Lay completed assemblies end to end facing the same direction.

TURN PAGE OVER FOR REMAINING STEPS ▶

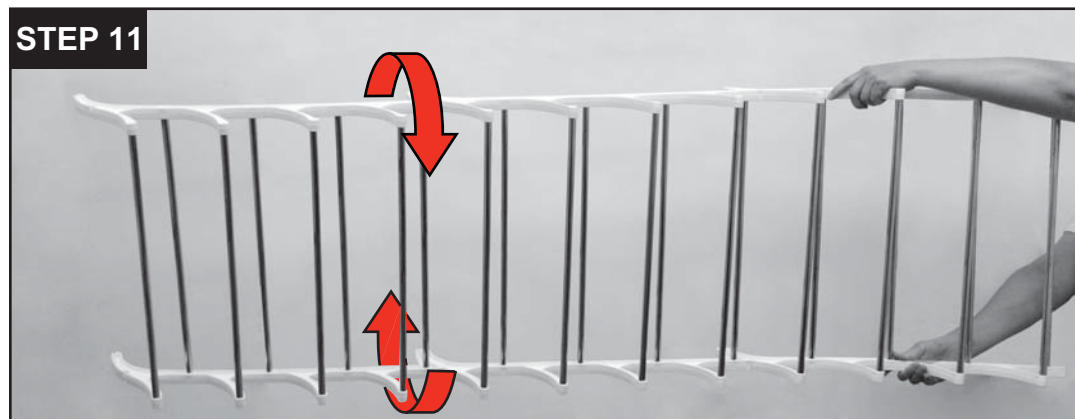


STEP 9: By hand, press the assemblies together to hold in place.



STEP 10: Tap connections together as shown, **on a firm surface only.**

! WARNING! DO NOT TAP CONNECTIONS FROM THE TOP OR DAMAGE WILL OCCUR.



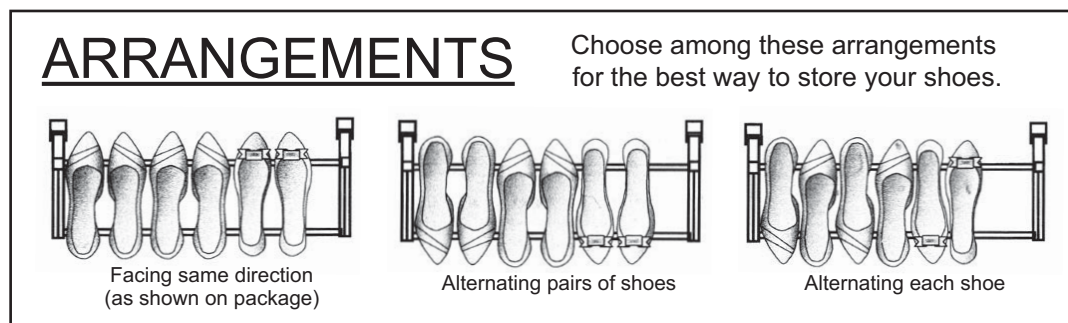
STEP 11: Turn assembly over.



STEP 12: Tap connections together as shown, **on a firm surface only.**



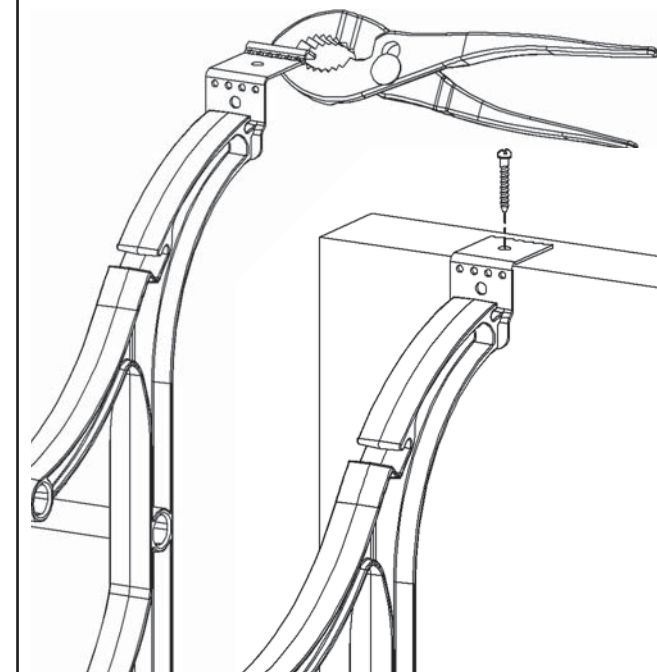
STEP 13: Place brackets on door and hang shoe rack on brackets. On narrow doors, place OverDoor ShoeRack to the hinged side of the door.



Optional Installations

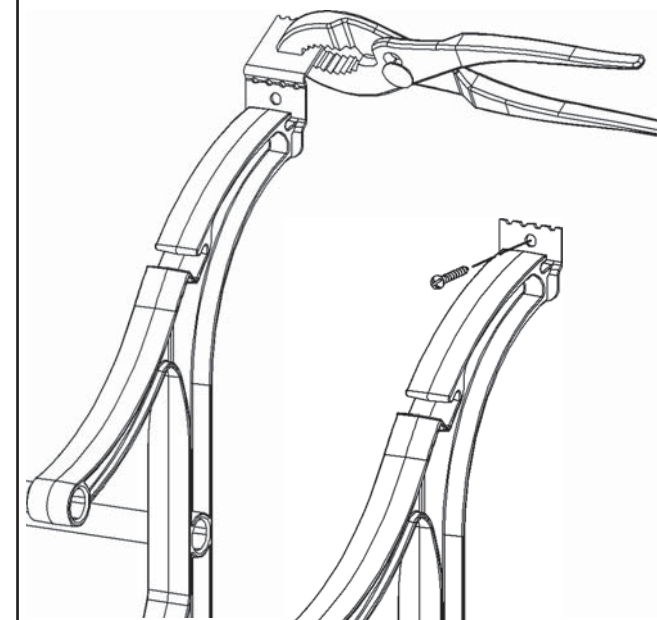
For doors thicker than the standard 1-3/8":

Bend bracket at the **top** score line until back portion breaks off. Then mount to oversized door as shown.



To mount to a wall or surface:

Bend bracket at **front** score line until top portion breaks off. Then mount to wall or surface as shown.



Different mounting hardware may be required depending on surface (hardware not included).