

# JULIEN

Donnez vie à vos idées.  
Make your ideas real.

## SPECIFICATIONS

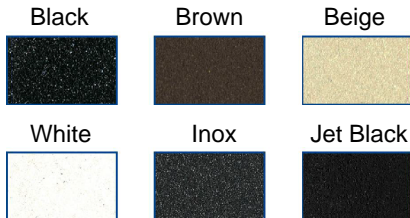
Category: **Granix - Kitchen sink**  
Type: **Undermount double bowl**  
Product Name: **Summum - Double undermount**

MODEL: **065 001 - Black** **065 031 - White**  
**065 011 - Brown** **065 041 - Inox**  
**065 021 - Beige** **065 051 - Jet Black**

### FEATURES:

- Manufactured in Germany
- 80-85% natural quartz content for excellent resistance to scratches and chips
- High-quality acrylic resin providing a highly resistant hardened composite material
- Non-porous material providing excellent stain resistance and ease of maintenance
- Anti-bacterial material with natural silver ions reducing bacterial growth by up to 95%
- Natural sound dampening properties
- Center back 3-1/2" drain placement
- 6 available colors - solid throughout the sink
- Limited lifetime warranty

### AVAILABLE COLOURS:



### SINK DIMENSIONS:

Model	Overall	Bowl (s)	Depth	Recommended Cabinet size
<b>065 001</b>	33 x 18 1/2	LH 14 1/2 x 16 3/8 RH 14 1/2 x 16 3/8	9 1/2 9 1/2	36
<b>065 011</b>				
<b>065 021</b>				
<b>065 031</b>				
<b>065 041</b>				
<b>065 051</b>				

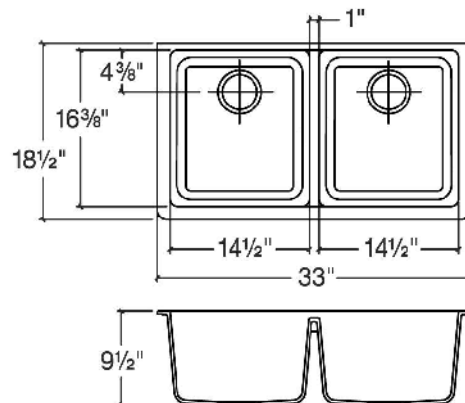
### WARRANTY:

Julien inc. offers a LIMITED LIFETIME WARRANTY on its Granix sinks, ensuring them against defects of material and workmanship. For further details on our product warranty, please refer to our catalog or Web site.

- All dimensions are in inches
- Cutout template supplied with every sink and available on our web site

### PRODUCT SPECIFICATIONS:

Sink to be undermount double bowl. Sink to be manufactured from a composite of quartz particles, acrylic resin and silver ions. Quartz content is a minimum of 80-85%. Sink to feature non-porous material and solid color throughout. Sink overall dimensions to be 33" left-to-right and 18 1/2" front-to-back. LH Bowl dimensions to be 14 1/2" left-to-right and 16 3/8" front-to-back. RH Bowl dimensions to be 14 1/2" left-to-right and 16 3/8" front-to-back. Sink to be Julien Granix collection with bowl depth of 9 1/2" on LH bowl and 9 1/2" on RH bowl.



### PROJECT/JOB INFORMATION:

Project/Job name: \_\_\_\_\_  
Specifier: \_\_\_\_\_  
Contractor: \_\_\_\_\_

This specification is subject to change without notice. Julien assumes no responsibility for the use of superseded or voided specifications.