

# JULIEN

Donnez vie à vos idées.  
Make your ideas real.

## SPECIFICATIONS

Category: **Kitchen sinks**

MODEL: **085100**

Type: **Undermount Single Bowl**

Collection: **F110**

### FEATURES:

- Handcrafted in England
  - Made from heavy fireclay – Solid throughout
  - Up to 40 hours of gradual drying period
  - Fired at more than 1200°C – 2200°F
  - 30 mm (1-1/8") material thickness \*
  - 10 mm (3/8") corner radius\*
  - Center 3-1/2" drain placement
  - Scratch and chip resistant
  - Waste disposal unit compatible
- (\* dimensions may vary by +/- 2% )



### SINK DIMENSIONS:

| Model         | Overall         | Bowl (s)        | Depth | Recommended Cabinet size |
|---------------|-----------------|-----------------|-------|--------------------------|
| <b>085100</b> | 23 1/2 x 18 1/8 | 20 5/8 x 15 3/8 | 8 7/8 | 30                       |

### WARRANTY:

Julien inc. offers a 1-YEAR LIMITED WARRANTY against manufacturing defects and a 10-YEAR LIMITED WARRANTY on fading/staining issues on its fireclay sinks. For further details on our product warranty, please refer to our catalog or Web site.

### PRODUCT SPECIFICATIONS:

Sink to be undermount single bowl. Sink to be manufactured from heavy fireclay - solid throughout. Sink to be fired at more than 1200C - 2200F. Sink to feature 10mm (3/8") corner radiuses. Sink to feature center drain placement. Sink to be compatible with waste disposal units. Sink overall dimensions\* to be 23 1/2" left-to-right and 18 1/8" front-to-back. Bowl dimensions\* to be 20 5/8" left-to-right and 15 3/8" front-to-back. Sink to be Julien F110 collection model 085100 with bowl depth of 8 7/8". (\* dimensions may vary by +/- 2% )

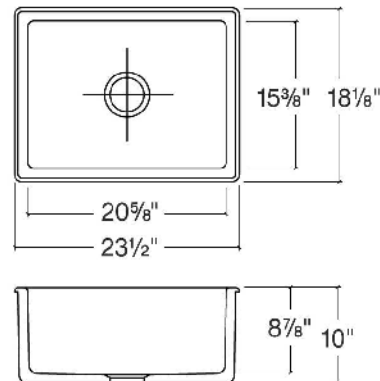
### PROJECT/JOB INFORMATION:

Project/Job name: \_\_\_\_\_

Specifier: \_\_\_\_\_

Contractor: \_\_\_\_\_

- All dimensions are in inches



This specification is subject to change without notice. Julien assumes no responsibility for the use of superseded or voided specifications.