

# JULIEN

Donnez vie à vos idées.  
Make your ideas real.

## SPECIFICATIONS

Category: **Kitchen sinks**

Type: **Undermount Double Bowl**

Collection: **Q110**

MODEL: **065 102 - Black**  
**065 112 - Brown**  
**065 122 - Beige**  
**065 132 - White**

### FEATURES:

- Manufactured in Germany
- 80-85% natural quartz content for excellent resistance to scratches and chips
- High-quality acrylic resin providing a highly resistant hardened composite material
- Non-porous material providing excellent stain resistance and ease of maintenance
- Anti-bacterial material with natural silver ions reducing bacterial growth by up to 95%
- Natural sound dampening properties
- Offset 3-1/2" drain placement
- 4 available colours - solid throughout the sink
- Limited lifetime warranty

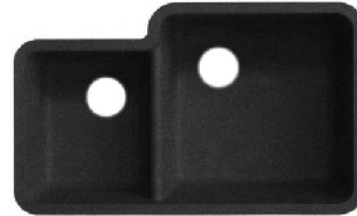
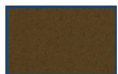
### AVAILABLE COLOURS:

Black

Brown

Beige

White



### SINK DIMENSIONS:

Model	Overall	Bowl (s)	Depth	Recommended Cabinet size
<b>065 102</b>	33 3/4 x 20 3/4	LH 12 x 15	7 1/8	36
<b>065 112</b>		RH 18 1/4 x 18 1/2	9	
<b>065 122</b>				
<b>065 132</b>				

- All dimensions are in inches
- Cutout template supplied with every sink and available on our web site

### WARRANTY:

Julien inc. offers a LIMITED LIFETIME WARRANTY on its quartz sinks, ensuring them against defects of material and workmanship. For further details on our product warranty, please refer to our catalog or Web site.

### PRODUCT SPECIFICATIONS:

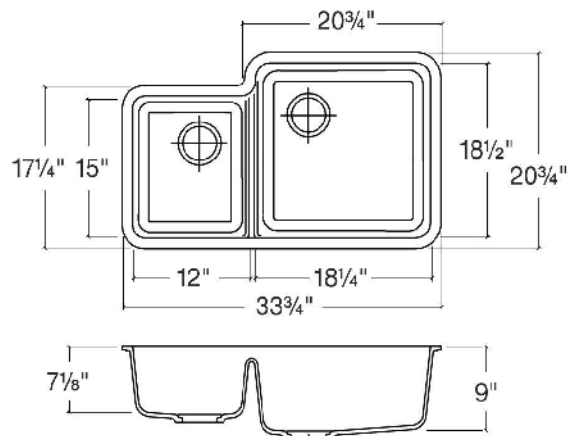
Sink to be undermount double bowl. Sink to be manufactured from a composite of quartz particles, acrylic resin and silver ions. Quartz content must be a minimum of 80%. Sink to feature non-porous material and solid colour throughout. Sink overall dimensions to be 33 3/4" left-to-right and 20 3/4" front-to-back. LH Bowl dimensions to be 12" left-to-right and 15" front-to-back. RH Bowl dimensions to be 18 1/4" left-to-right and 18 1/2" front-to-back. Sink to be Julien Q110 collection model 065 102 with bowl depth of 7 1/8" on LH bowl and 9" on RH bowl.

### PROJECT/JOB INFORMATION:

Project/Job name: \_\_\_\_\_

Specifier: \_\_\_\_\_

Contractor: \_\_\_\_\_



This specification is subject to change without notice. Julien assumes no responsibility for the use of superseded or voided specifications.