

JULIEN

Donnez vie à vos idées.
Make your ideas real.

SPECIFICATIONS

Category: **Kitchen sinks**

MODEL: **080102**

Type: **Farmhouse Double Bowl**

Collection: **F110**

FEATURES:

- Handcrafted in England
 - Made from heavy fireclay – Solid throughout
 - Up to 40 hours of gradual drying period
 - Fired at more than 1200°C – 2200°F
 - 30 mm (1-1/8") material thickness *
 - 10 mm (3/8") corner radius*
 - Center 3-1/2" drain placement
 - Scratch and chip resistant
 - Waste disposal unit compatible
- (* dimensions may vary by +/- 2%)



SINK DIMENSIONS:

Model	Overall	Bowl (s)	Depth	Recommended Cabinet size
080102	35 1/4 x 18 1/4	15 3/4 x 15 3/4	7 7/8	35 1/4

WARRANTY:

Julien inc. offers a 1-YEAR LIMITED WARRANTY against manufacturing defects and a 10-YEAR LIMITED WARRANTY on fading/staining issues on its fireclay sinks. For further details on our product warranty, please refer to our catalog or Web site.

PRODUCT SPECIFICATIONS:

Sink to be farmhouse with equal size double bowls. Sink to be manufactured from heavy fireclay - solid throughout. Sink to be fired at more than 1200C - 2200F. Sink to feature 10mm (3/8") corner radiuses. Sink to feature center drain placement. Sink to be compatible with waste disposal units. Sink overall dimensions* to be 35 1/4" left-to-right and 18 1/4" front-to-back. Bowl dimensions* to be 15 3/4" left-to-right and 15 3/4" front-to-back. Sink to be Julien F110 collection model 080102 with bowl depth of 7 7/8". (* dimensions may vary by +/- 2%)

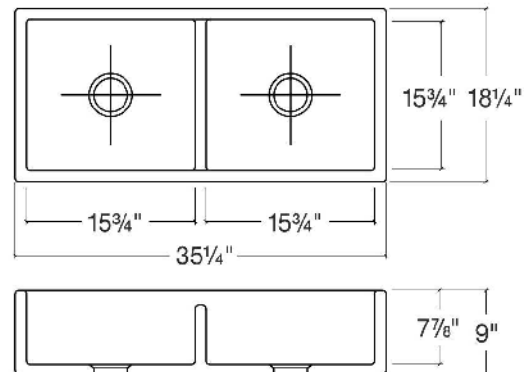
PROJECT/JOB INFORMATION:

Project/Job name: _____

Specifier: _____

Contractor: _____

- All dimensions are in inches



This specification is subject to change without notice. Julien assumes no responsibility for the use of superseded or voided specifications.