

JULIEN

Donnez vie à vos idées.
Make your ideas real.

SPECIFICATIONS

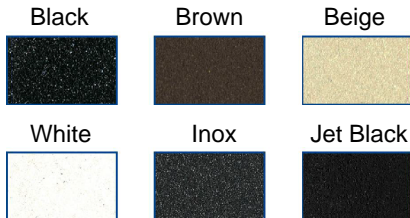
Category: **Granix - Kitchen sink**
Type: **Topmount double bowl**
Product Name: **Summum - 1 1/2 topmount**

MODEL: **066 000 - Black** **066 030 - White**
066 010 - Brown **066 040 - Inox**
066 020 - Beige **066 050 - Jet Black**

FEATURES:

- Manufactured in Germany
- 80-85% natural quartz content for excellent resistance to scratches and chips
- High-quality acrylic resin providing a highly resistant hardened composite material
- Non-porous material providing excellent stain resistance and ease of maintenance
- Anti-bacterial material with natural silver ions reducing bacterial growth by up to 95%
- Natural sound dampening properties
- Center back 3-1/2" drain placement
- 6 available colors - solid throughout the sink
- Limited lifetime warranty

AVAILABLE COLOURS:



SINK DIMENSIONS:

Model	Overall	Bowl (s)	Depth	Recommended Cabinet size
066 000	33 x 22	LH 14 1/2 x 18 1/8 RH 14 1/2 x 16 1/8	9 1/2 9 1/2	36
066 010				
066 020				
066 030				
066 040				
066 050				

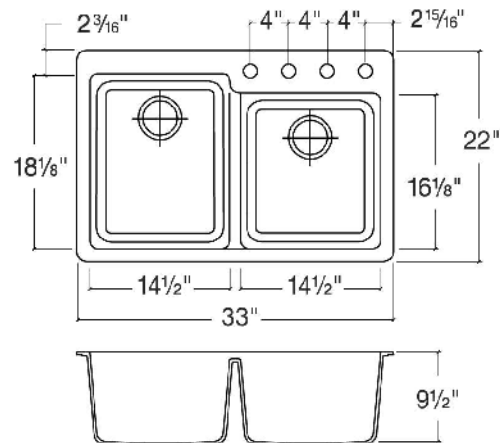
WARRANTY:

Julien inc. offers a LIMITED LIFETIME WARRANTY on its Granix sinks, ensuring them against defects of material and workmanship. For further details on our product warranty, please refer to our catalog or Web site.

- All dimensions are in inches
- Cutout template supplied with every sink and available on our web site

PRODUCT SPECIFICATIONS:

Sink to be topmount double bowl. Sink to be manufactured from a composite of quartz particles, acrylic resin and silver ions. Quartz content is a minimum of 80-85%. Sink to feature non-porous material and solid color throughout. Sink overall dimensions to be 33" left-to-right and 22" front-to-back. LH Bowl dimensions to be 14 1/2" left-to-right and 18 1/8" front-to-back. RH Bowl dimensions to be 14 1/2" left-to-right and 16 1/8" front-to-back. Sink to be Julien Granix collection with bowl depth of 9 1/2" on LH bowl and 9 1/2" on RH bowl.



PROJECT/JOB INFORMATION:

Project/Job name: _____
Specifier: _____
Contractor: _____

This specification is subject to change without notice. Julien assumes no responsibility for the use of superseded or voided specifications.