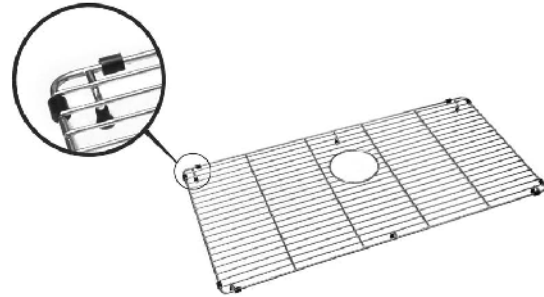


Category: **Accessories**

MODEL: **200172**

FEATURES:

- Corrosion resistant and electropolished 304 series stainless steel (18/10)
- Sturdy design ideal for rinsing or draining, or simply protecting the sink surface from scratching
- Rubber-tipped footings for better stability and protection
- Rubber protectors on all sides to protect from scratching bowl sides



* Image shows grid construction & features.
Refer to technical drawing below for configuration.

SINK COMPATIBILITY CHART:

Model	Julien sinks with bowl dimensions
200172	20" x 18"

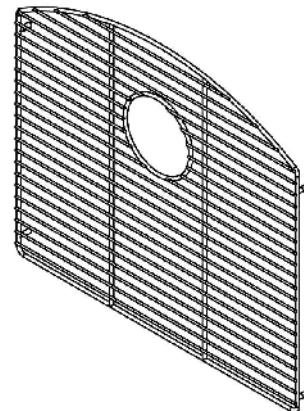
- All dimensions are in inches

WARRANTY:

Julien inc. offers a 1-YEAR LIMITED WARRANTY following the purchase date for all mobile parts, options and accessories against defects of material and workmanship. For further details on our product warranty, please refer to our catalog or Web site.

PRODUCT SPECIFICATIONS:

Grid to be fabricated using corrosion resistant electropolished stainless steel having 18/10 chrome/nickel content. Grid has a sturdy design that is ideal for rinsing or draining, or simply protecting the sink surface from scratching. Grid has rubber-tipped footings for stability and rubber protectors on all sides to protect from scratching bowl sides. Grid to be Julien model no. 200172 and is compatible with 20" x 18" Julien sink models.



PROJECT/JOB INFORMATION:

Project/Job name: _____

Specifier: _____

Contractor: _____

This specification is subject to change without notice. Julien assumes no responsibility for the use of superseded or voided specifications.